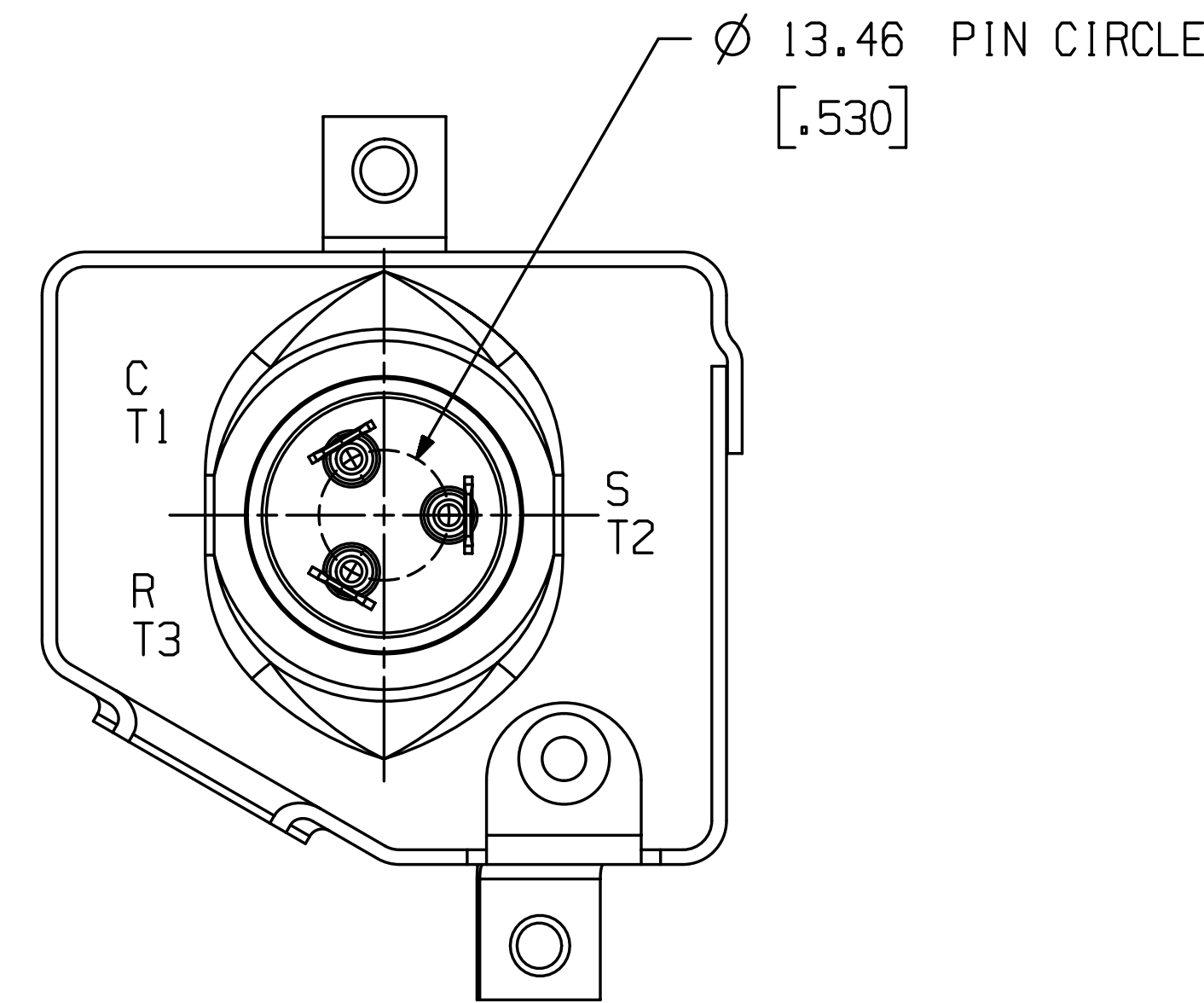
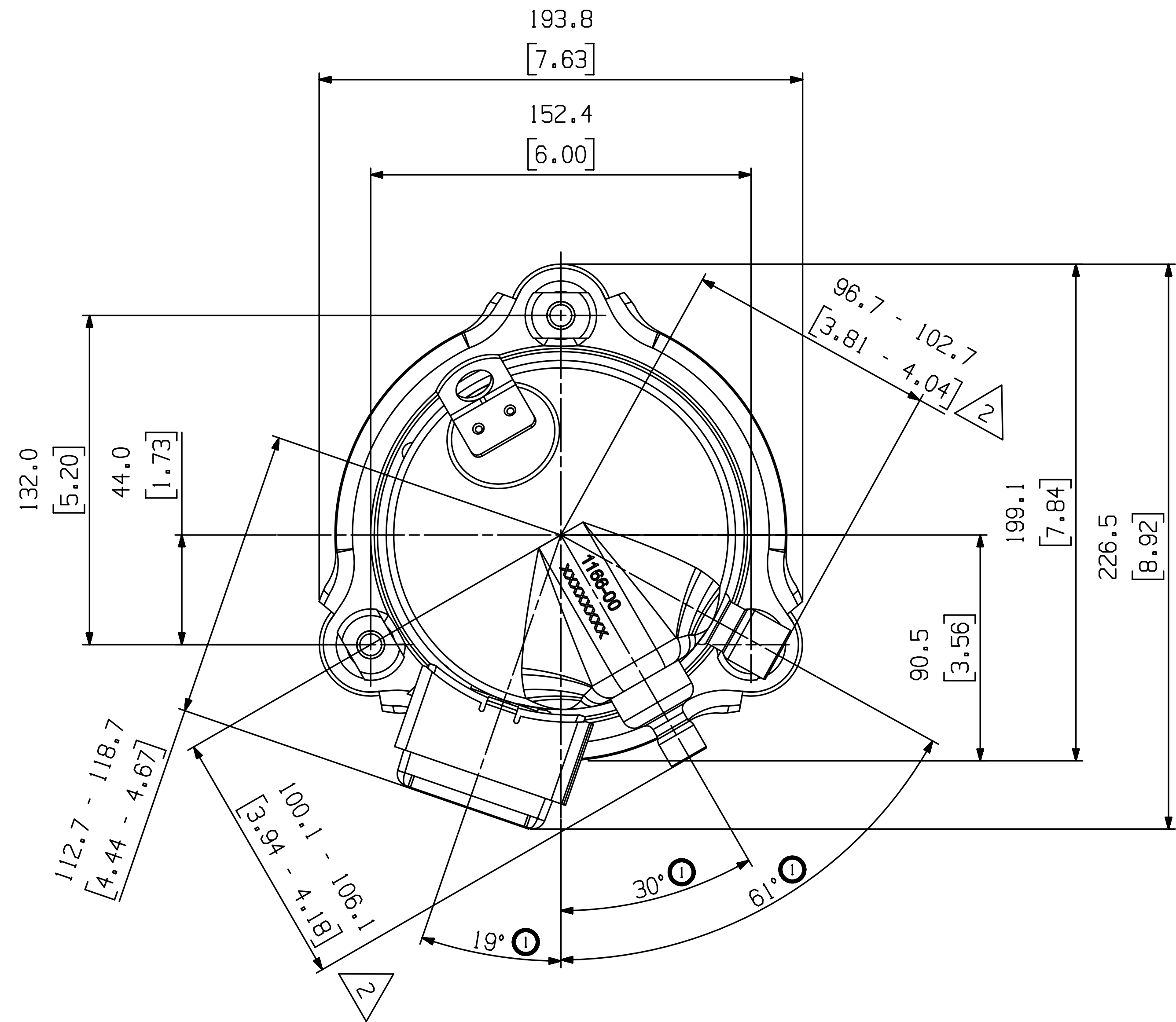


SPECIFICATIONS	
ES NO.	DESCRIPTION
ES92-155	CONVERSION-METRIC

MODEL NUMBER  
ZH04/05K1P

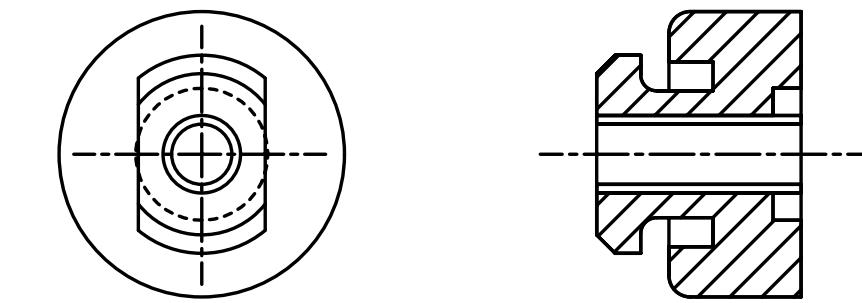


T BOX LAYOUT  
STANDARD  
SCALE 3:2

NOTES:

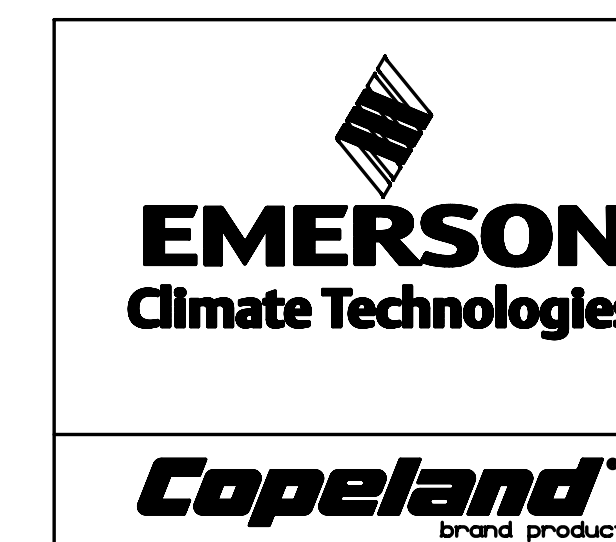
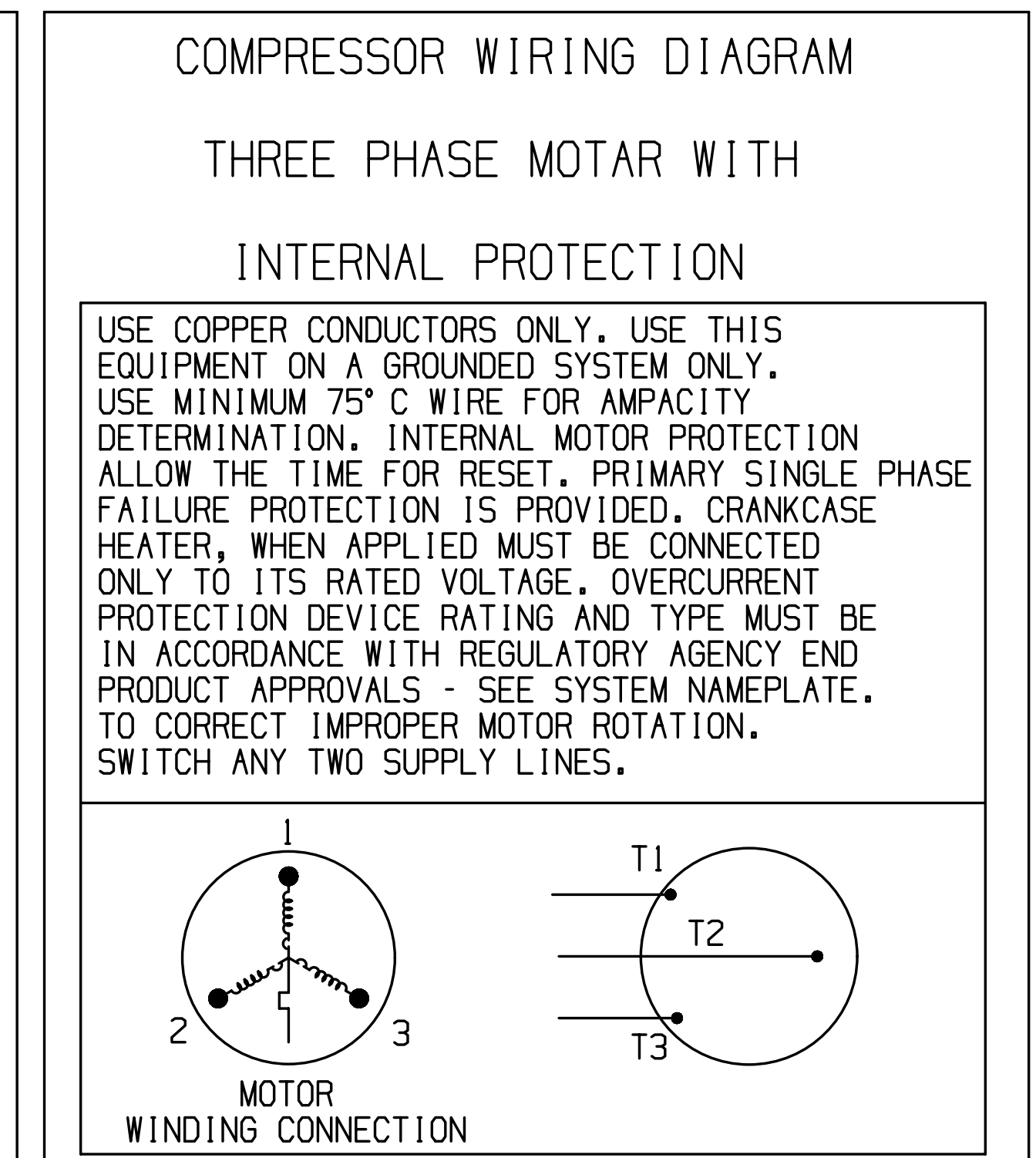
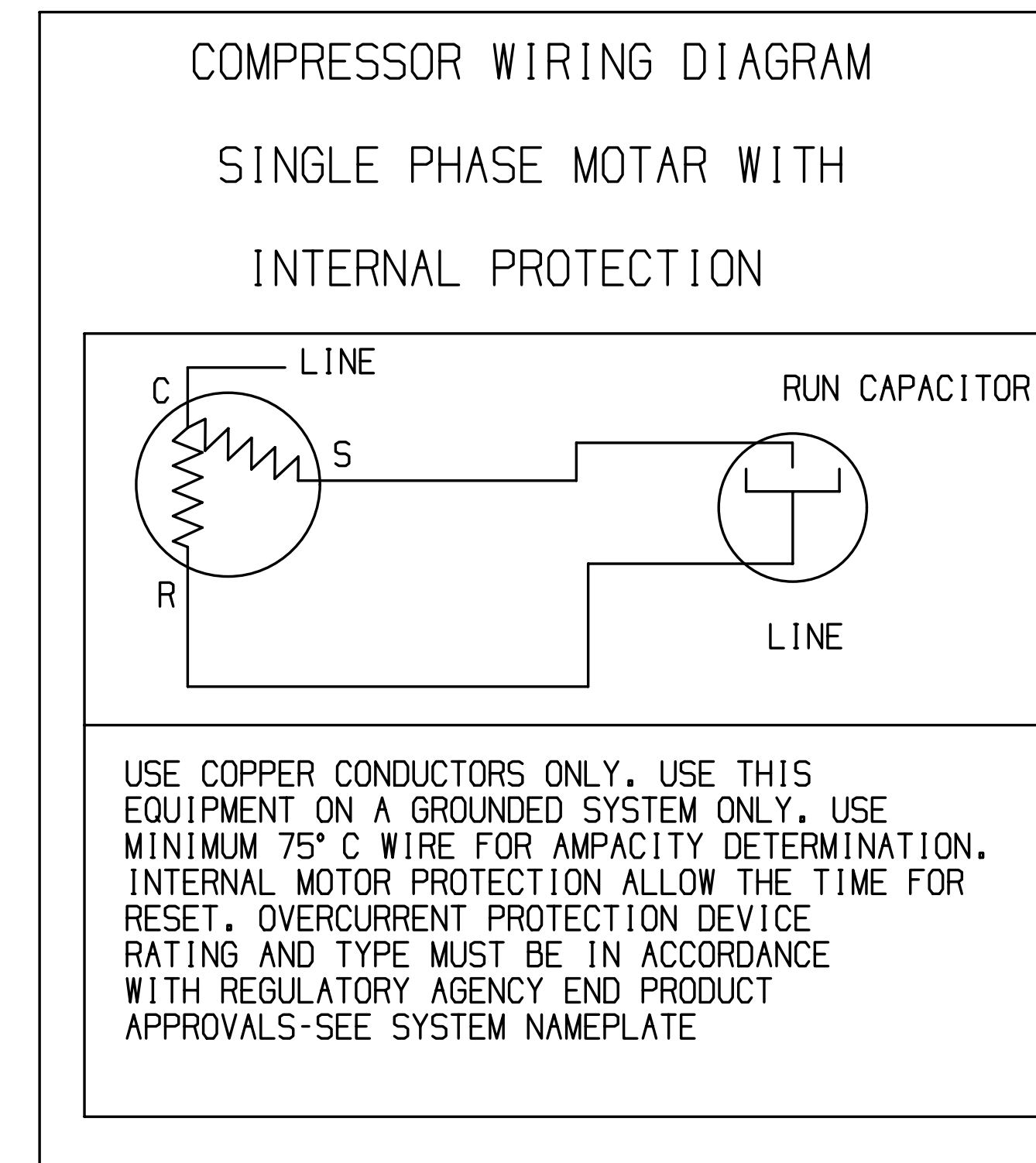
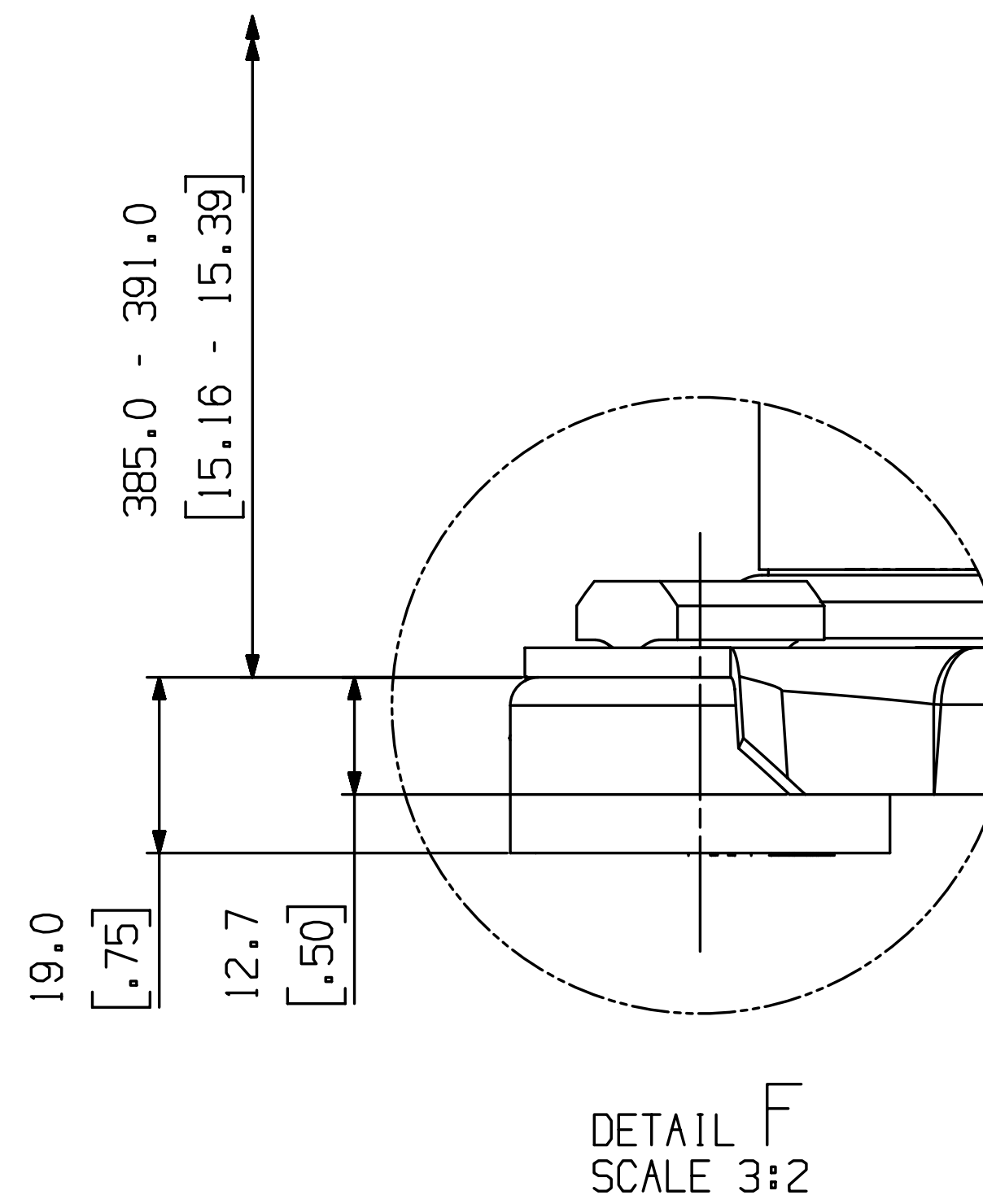
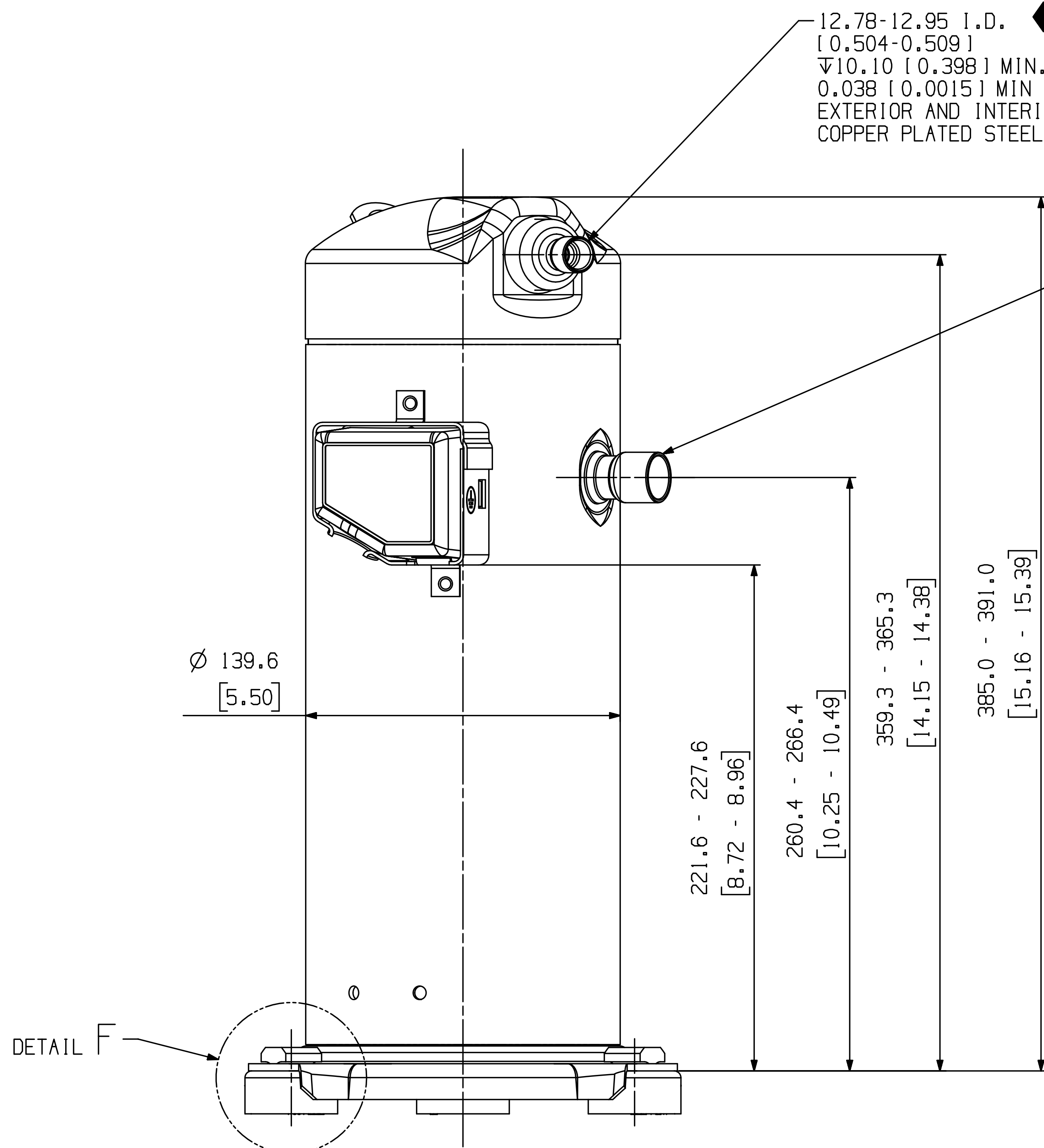
- ALL TOLERANCES  $\pm 1.50$  [0.060] UNLESS OTHERWISE SPECIFIED.
- THE SUCTION TUBE, DISCHARGE TUBE, RADIAL DIMENSIONS ARE TO BE GAUGED FROM THE CENTER OF THE MOUNTING HOLE PATTEN.
- TUBE ENDS MUST BE PLUGGED.
- MOUNTING KIT:

GROMMET DUROMETER	3 FOOT KIT
35-45	527-0116-05



12.78-12.95 I.D. [0.504-0.509]  
 $\nabla 10.10$  [0.398] MIN.  
 0.038 [0.0015] MIN THICK  
 COPPER PLATED STEEL DISCHARGE FITTING.

19.12-19.30 I.D. [0.753-0.759]  
 $\nabla 16.00$  [0.630] MIN.  
 0.038 [0.0015] MIN THICK  
 COPPER PLATED STEEL SUCTION FITTING.



INTERPRET PER ASME  
 Y14.5M-1994 AND  
 EMERSON CLIMATE  
 TECHNOLOGIES  
 DESIGN STANDARDS DS2002  
 DO NOT SCALE DRAWING  
 CRITICAL PRODUCT  
 CHARACTERISTICS  
 UNLESS OTHERWISE SPECIFIED  
 DIMENSIONS ARE MILLIMETER OR 1 INCH  
 1-PLACE: 0.4  
 2-PLACE: 0.15  
 ANGLAR: 0.5°

REV. NO.	DESCRIPTION	DATE	BY	CHKD	APPR
1	CHANGE ANGLE DIMENSIONS	12-28-13	VL	AW	VC
0	RELEASED	11-19-10	SZ	VC	VC

24 THIS DRAWING AND INFORMATION CONTAINED HEREIN ARE THE EXCLUSIVE PROPERTY OF EMERSON CLIMATE TECHNOLOGIES, INC. AND SHALL BE RETURNED UPON DEMAND AND SHALL NOT BE REPRODUCED, IN WHOLE OR IN PART, WITHOUT THE WRITTEN CONSENT OF EMERSON CLIMATE TECHNOLOGIES, INC.

MATERIAL SPECIFICATION	DATE	SCALE	DATE FORMAT
N/A	12-28-13	3:4	MM-DD-YY

TITLE: REF DWG-WELD COMP ASSM  
 SHEET 1 OF 1  
 497-0984-00