

PART NUMBER	MODEL NUMBER	MOUNTING KIT	CUSTOMER CONNECTIONS
497-1713-00	ZP295	527-0175-02	BRAZED
	ZR310		
	ZR380		
	ZP385		
	ZH125/150		
497-1713-01	ZP285	527-0175-00	ROTALOCK
	ZP295		
	ZR310		
	ZR380		
	ZP385		
497-1713-02	ZR300	527-0175-00	ROTALOCK/FLANGE
497-1713-03	ZP285	527-0175-00	BRAZED
	ZR300		

SPECIFICATIONS	
ES NO.	DESCRIPTION
ES92-155	CONVERSION-METRIC
ES81-340	TORQUE SPEC

NOTES:

1. ALL TOLERANCES ± 1.50 [0.060] UNLESS OTHERWISE SPECIFIED.

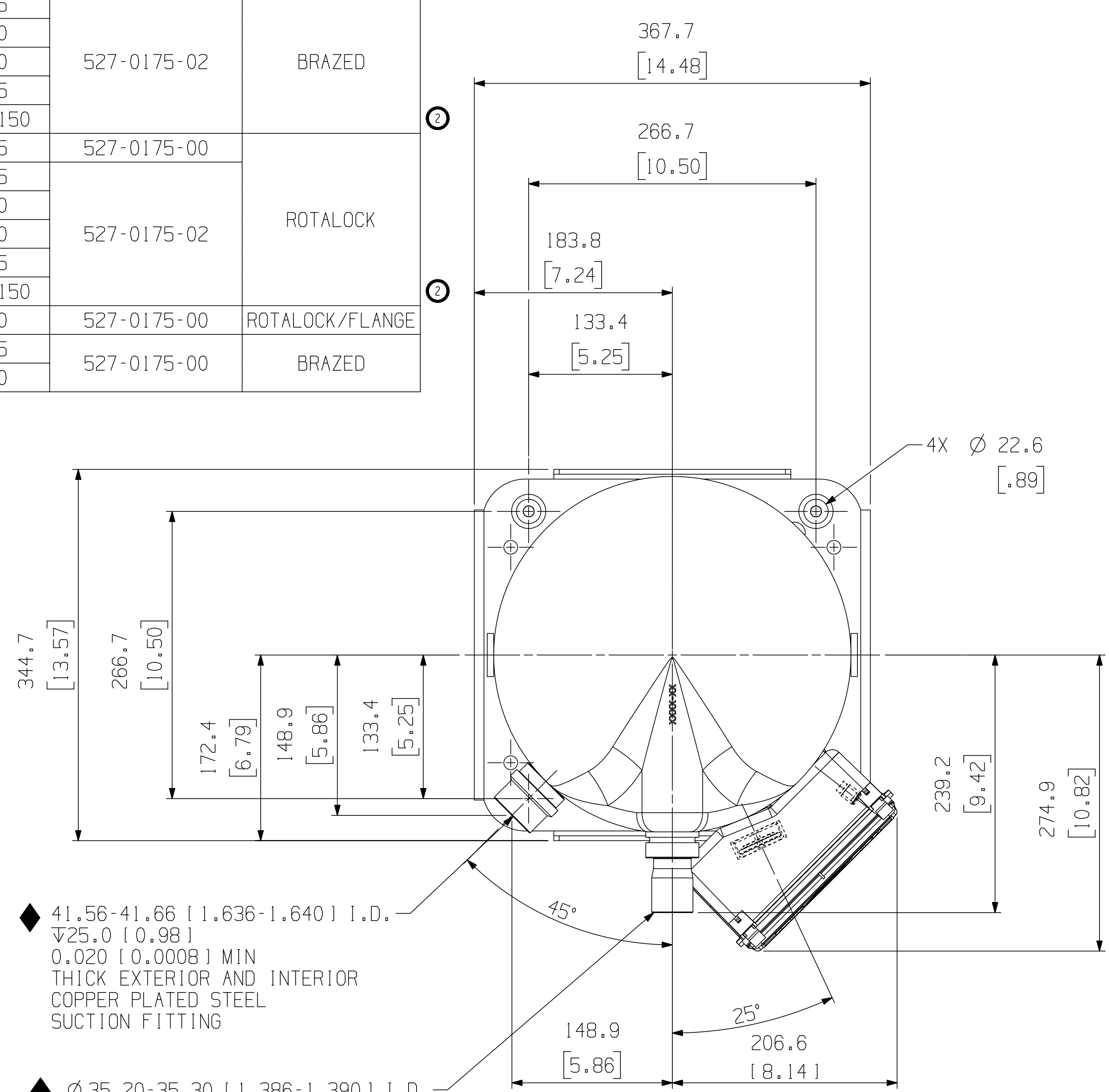
DUE TO ACCUMULATED ASSEMBLY TOLERANCES THE LISTED COMPONENTS MAY VARY FROM THE MOUNTING HOLES AS SHOWN BELOW:

2. ALL FITTINGS : ± 3.0 [0.12]

3. MOUNTING KIT.

3. TUBE ENDS MUST BE PLUGGED.

497-1713-00  
BRAZED OPTION



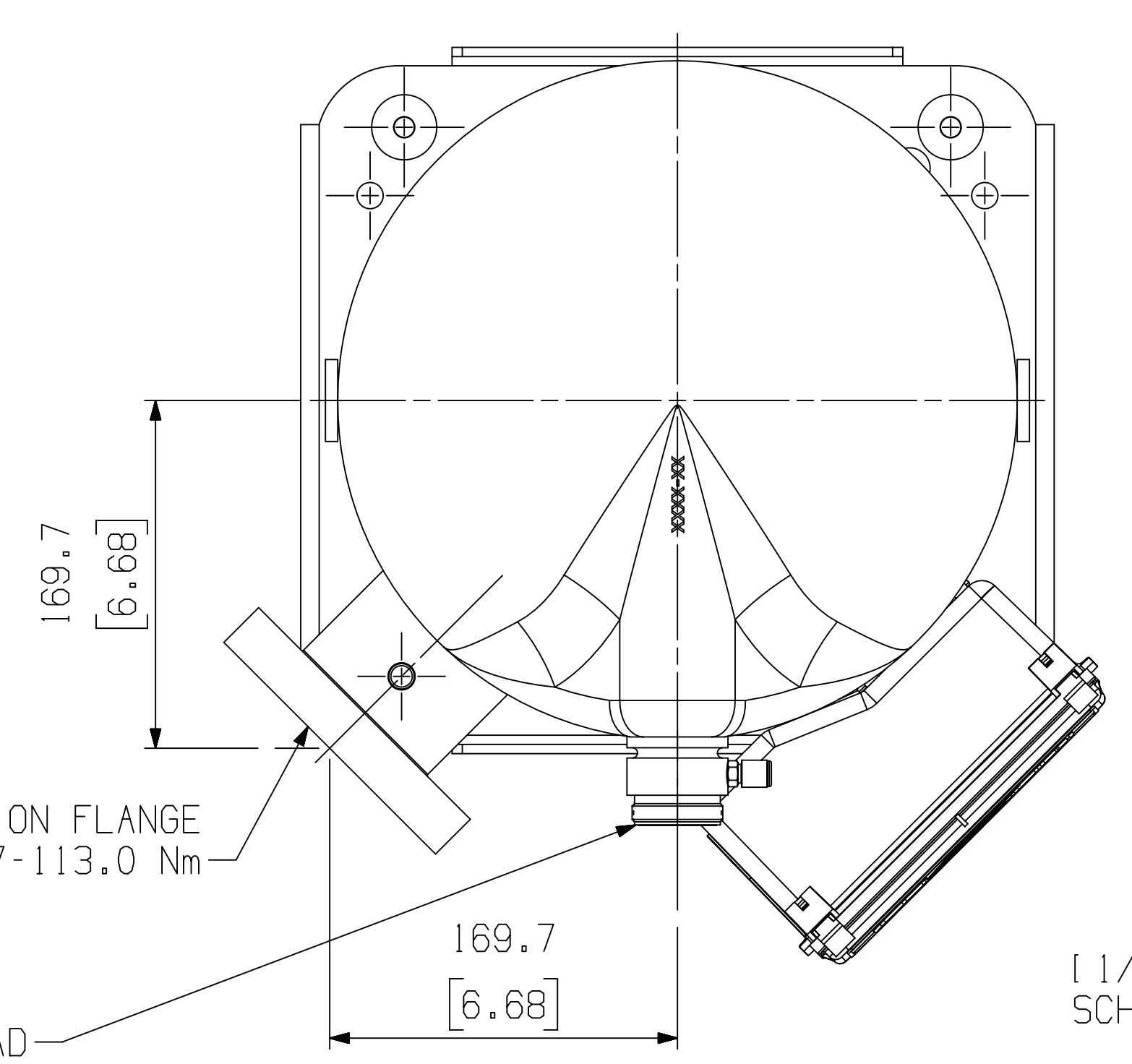
◆ 41.56-41.66 [1.636-1.640] I.D. √25.0 [0.98] 0.020 [0.0008] MIN THICK EXTERIOR AND INTERIOR COPPER PLATED STEEL SUCTION FITTING

◆ ∅ 35.20-35.30 [1.386-1.390] I.D. √28.80 [1.134] 0.038 [0.0015] MIN THICK EXTERIOR AND INTERIOR COPPER PLATED STEEL DISCHARGE FITTING/STEEL CHECK VALVE

◆ 4X M16 BOLTED SUCTION FLANGE TORQUE RANGE: 101.7-113.0 Nm [900-1000 IN-LBS]

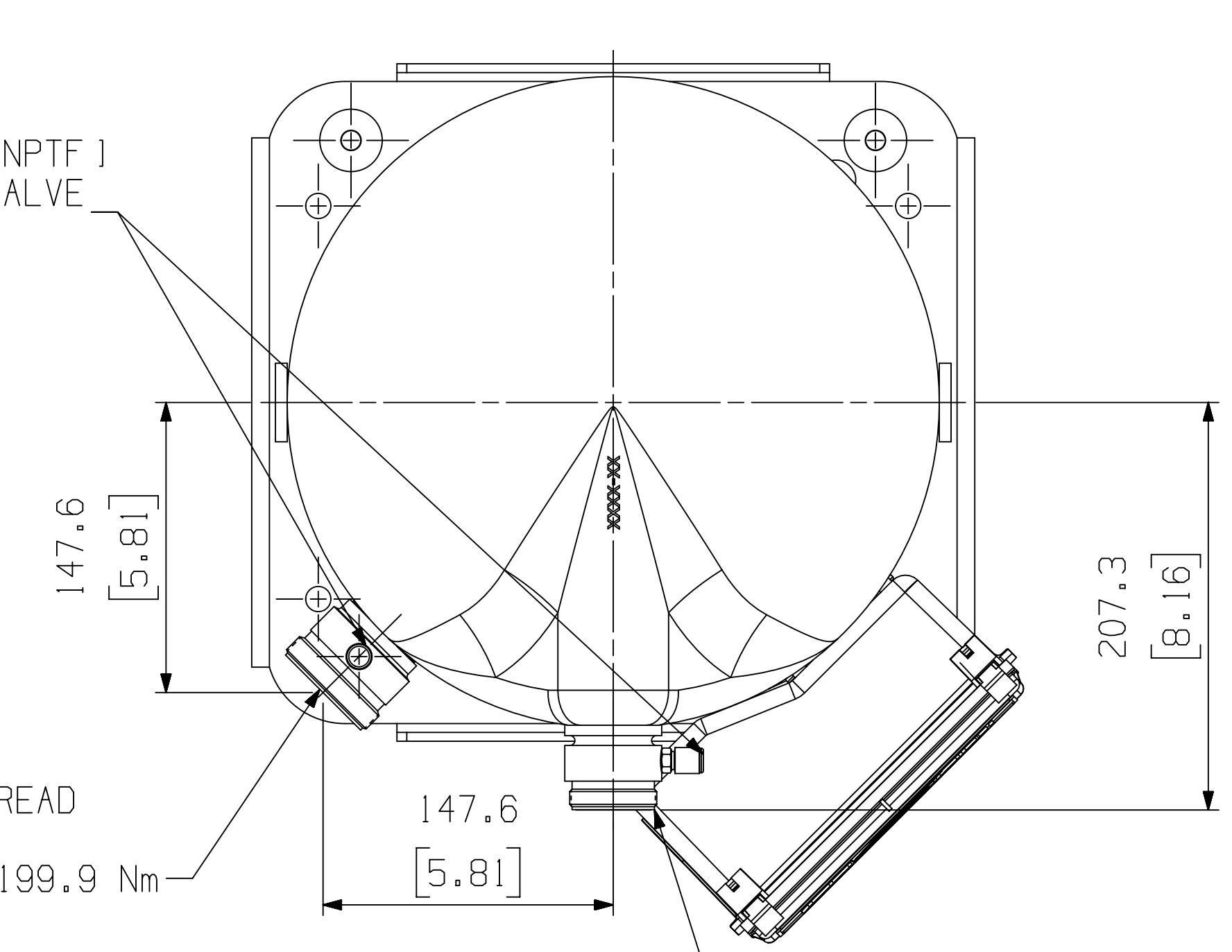
◆ [1-3/4"-12] THREAD ROTALOCK DISCHARGE CHECK VALVE TORQUE RANGE: 169.5-179.6 Nm [1500-1590 IN-LBS]

497-1713-02  
ROTALOCK / FLANGE OPTION



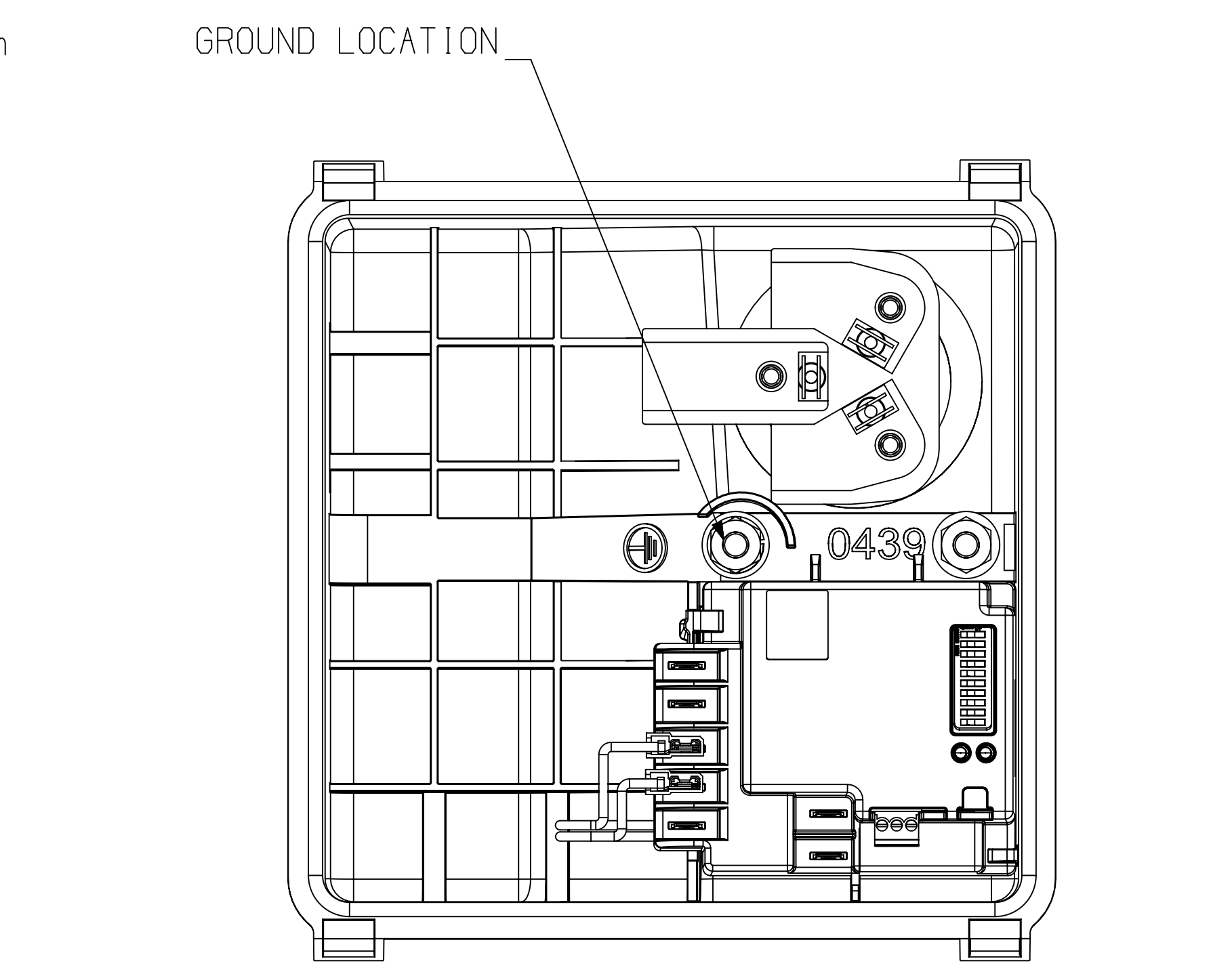
[1/8"-27 NPTF] SHRADER VALVE 2 PLACES

497-1713-01  
ROTALOCK OPTION



◆ [1-3/4"-12] THREAD ROTALOCK DISCHARGE CHECK VALVE TORQUE RANGE: 169.5-179.6 Nm [1500-1590 IN-LBS]

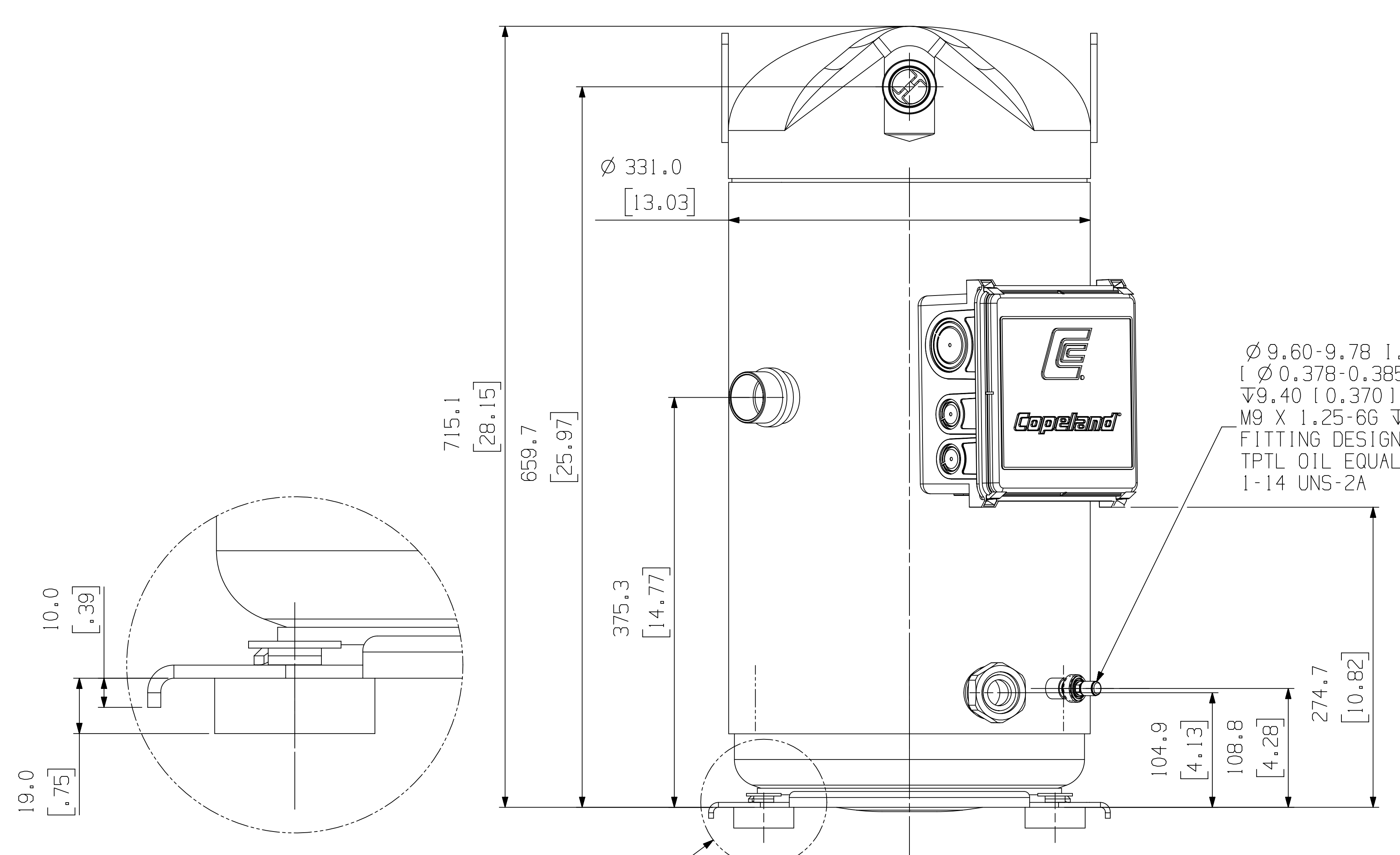
ALERT CODE (RED) / CÓDIGO DE ALERTA (ROJO)	TYPE / TIPO	EVENT / EVENTO	SP SWITCHES / INTERRUPTORES SP	LEDS / DIODOS	TEMP SENSORS / SENSORES DE TEMP
1	LOCKOUT / BLOQUEADO	LOSS OF FUNCTION / PERDIDA DE FUNCION			
2	TRIP / DISPARO	MOTOR HIGH TEMPERATURE / TEMPERATURA DEL MOTOR ELEVADA			
3	LOCKOUT/TRIP / BLOQUEADO / TRIP	OPEN / SHORT MOTOR THERMISTOR / TERMISTOR DEL MOTOR ABIERTO / CORTOCIRCUITO			
4	LOCKOUT / BLOQUEADO	SHORT CYCLING / CICLOS CORTOS			
5	LOCKOUT/TRIP / BLOQUEADO / TRIP	SCROLL HIGH TEMPERATURE / ALTA TEMPERATURA DEL ESPIRAL			
6	N/A	FUTURE USE / USO FUTURO			
7	LOCKOUT/TRIP / BLOQUEADO / TRIP	MISSING PHASE / PERDIDA DE FASE			
8	LOCKOUT / BLOQUEADO	REVERSE PHASE / INVERSIÓN DE FASE			
9	N/A	FUTURE USE / USO FUTURO			
10	TRIP / DISPARO	MODULE LOW VOLTAGE / BAJA VOLTAJE AL MÓDULO			



ALERT CODE (RED) / CÓDIGO DE ALERTA (ROJO)	TYPE / TIPO	EVENT / EVENTO
1	WARNING / PRECAUCIÓN	NORMAL OPERATION / OPERACIÓN NORMAL
2	WARNING / PRECAUCIÓN	LOSS OF COMMUNICATION / PERDIDA DE COMUNICACIÓN
3	WARNING / PRECAUCIÓN	FUTURE USE / USO FUTURO
4	WARNING / PRECAUCIÓN	SHORT CYCLING / CICLOS CORTOS
5	WARNING / PRECAUCIÓN	OPEN / SHORT MOTOR THERMISTOR / TERMISTOR DEL MOTOR ABIERTO / CORTOCIRCUITO
6	WARNING / PRECAUCIÓN	FUTURE USE / USO FUTURO

SYMBOLS / SIMBOLOS	DESCRIPTION
1	PROTECTOR MODULE VOLTAGE / VOLTAJE DEL MÓDULO DE PROTECCIÓN
2	TO CONTROL CIRCUIT AL CIRCUITO DE CONTROL
3	THERMAL SENSORS DO NOT SHORT / SENSORES DE TEMPERATURA - NO CONECTAR EN CORTOCIRCUITO
4	PHASE SENSING / SENSOR DE FASES

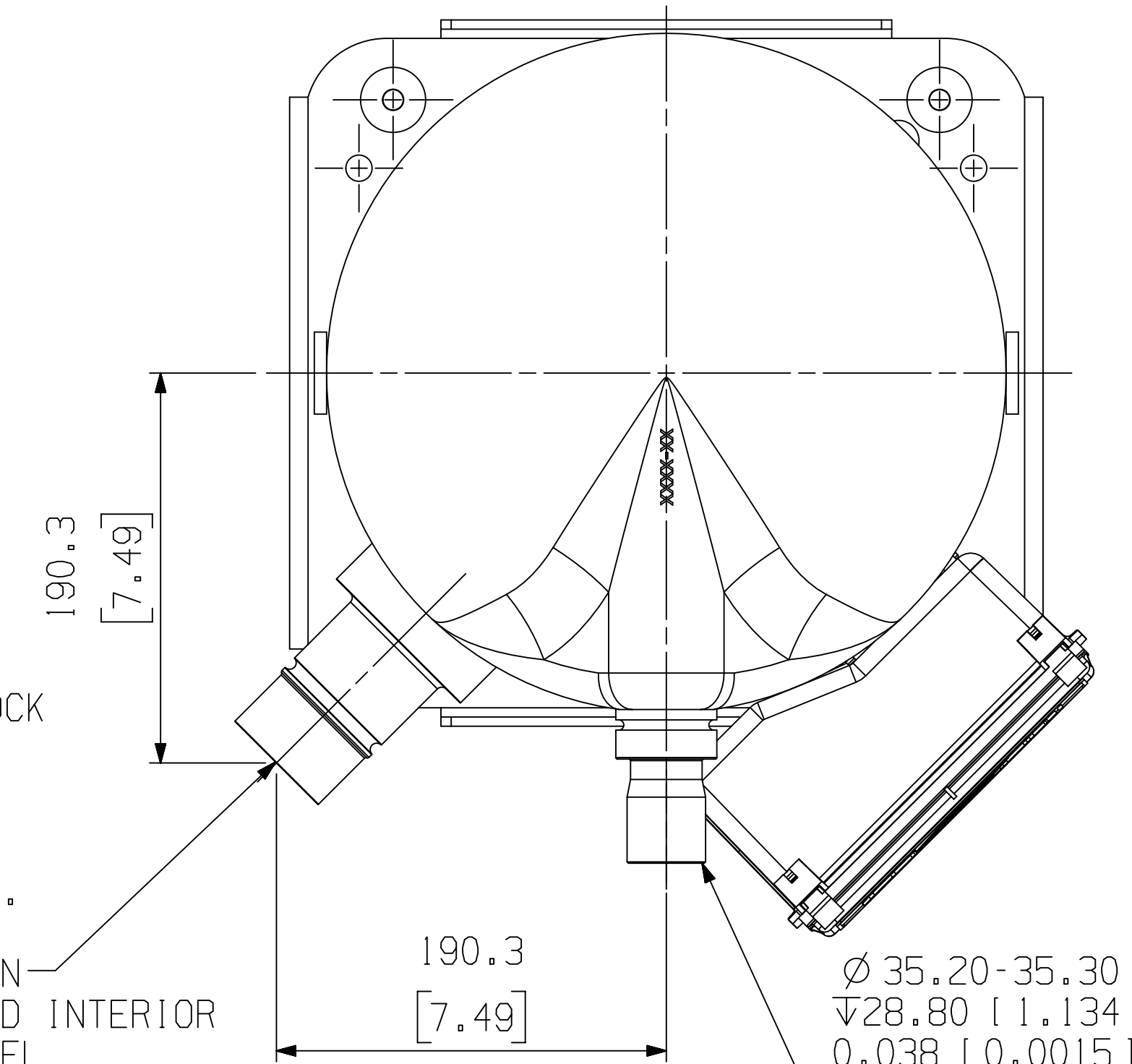
497-1713-03  
BRAZED OPTION



◆ ∅ 9.60-9.78 I.D. [∅ 0.378-0.385] √9.40 [0.370] MIN THICK EXTERIOR AND INTERIOR COPPER PLATED STEEL SUCTION FITTING DESIGNED TO ALSO ACCEPT ROTALOCK TPTL OIL EQUALIZATION LINE 1-14 UNS-2A

◆ ∅ 54.28-54.43 [2.137-2.143] I.D. √34.10 [1.34] 0.020 [0.0008] MIN THICK EXTERIOR AND INTERIOR COPPER PLATED STEEL SUCTION FITTING

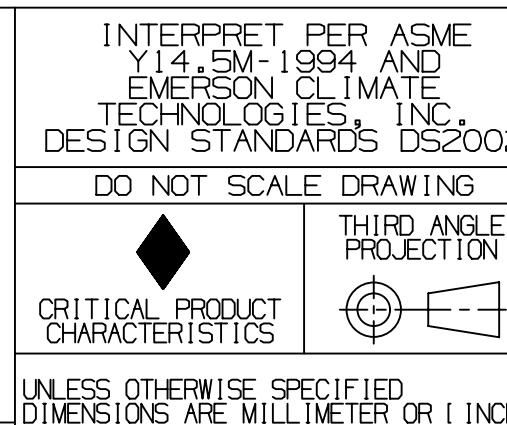
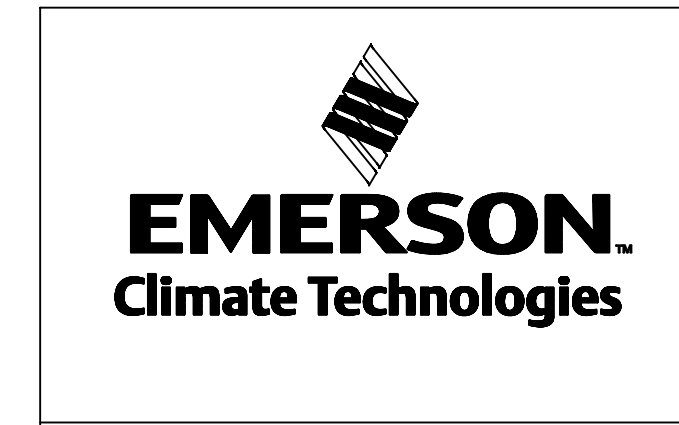
497-1713-03  
BRAZED OPTION



◆ ∅ 35.20-35.30 [1.386-1.390] I.D. √28.80 [1.134] 0.038 [0.0015] MIN THICK EXTERIOR AND INTERIOR COPPER PLATED STEEL DISCHARGE FITTING/STEEL CHECK VALVE

TERMINAL BOX LAYOUT STANDARD SCALE 3:4

ECN	NO.	DESCRIPTION	DATE	BY	CHKD	APPR
ECN102698	2	ADDED ZH125/150 MODELS	01-07-16	EL	JL	KJR
ECN101139	1	UPDATED MODEL NUMBER IN TABLE	03-13-15	SAS	PBM	FEM
ECN009071	0	RELEASED	10-09-14	PLS	LLB	KJR



INTERPRET PER ASME Y14.5M-1994 AND EMERSON CLIMATE TECHNOLOGIES, INC. DESIGN STANDARDS DS2002 DO NOT SCALE DRAWINGS

CRITICAL PRODUCT CHARACTERISTICS

UNLESS OTHERWISE SPECIFIED DIMENSIONS ARE MILLIMETER OR 1/16 INCH

TOLERANCES:  
1-PLACE : ± 0.5°  
2-PLACE : ± 0.5°  
ANGULAR : 0.5°

MATERIAL SPECIFICATION	DATE	SCALE	DATE FORMAT
N/A	10-09-14	3:8	MM-DD-YY

TITLE	DRAWING NUMBER	SHEET 1 OF 1
REF DWG-WELD COMP ASSM	497-1713-00	5