

Condensing Unit Technical Data Sheet

Compressor model **CB38G_N**
 Voltage **220-240V 50Hz ~1**
 Refrigerant **R134a**

APPLICATION

Application High Back Pressure
 Refrigerant R134a
 Evaporating Temp. -15,0 °C to 10,0 °C
 Expansion Capillar/Valve
 Comp. Cooling Static/Fan cooled
 Max. ambient temp. 43,0 °C

COMPRESSOR

Displacement 3,80 cm³
 Diameter 19,00 mm
 Stroke 13,40 mm
 Oil type POE 32
 Oil charge 120 cm³

MOTOR

Nominal Power 1/8 hp
 Voltage/Frequency 220-240V 50Hz
 Voltage range 187-255 V
 Type CSIR
 Phase number 1 PH
 Locked Rotor Amps (LRA) 4,20 A
 Max. Cont. Current (MCC) 0,00 A
 Main W. resist. at 25°C 24,50 Ω
 Start W. resist. at 25°C 29,50 Ω

NOMINAL PERFORMANCE

	ASHRAE
Cooling Capacity	350 W
COP	1,87 W/W
EER	1,61 kCal/Wh
Input Power	187 W
Current	1,14 A

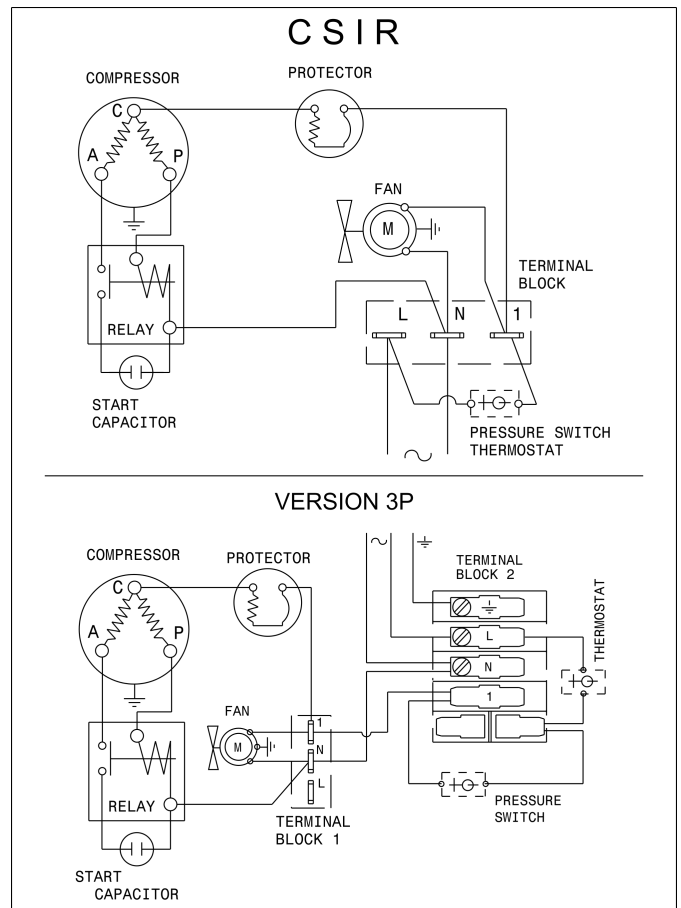
TEST CYCLE CONDITIONS

	HBP
Evaporating temp. (T _e)	7,2 °C
Condensing temp. (T _c)	55,0 °C
Liquid temp. (T _{liq.})	46,0 °C
Ambient temp. (T _{amb.})	35,0 °C
Suction temp. (T _{suction})	35,0 °C
Voltage/Frequency	220 V 50 Hz

CONDENSER AND FAN DATA

Condenser type	CU-AL
Condenser model	12118
Fan blade (Ø mm / °)	172 / 28
Fan motor	5W 230V 50/60Hz

WIRING DIAGRAM



REFRIGERATION CAPACITY (W) Evaporating Temperature (Â°C)

Model	Motor	-25	-15	-5	5	7.2			10
						W	Winp	A	
CB38G_N	CSIR	-	142	202	318	350	187	1.14	395

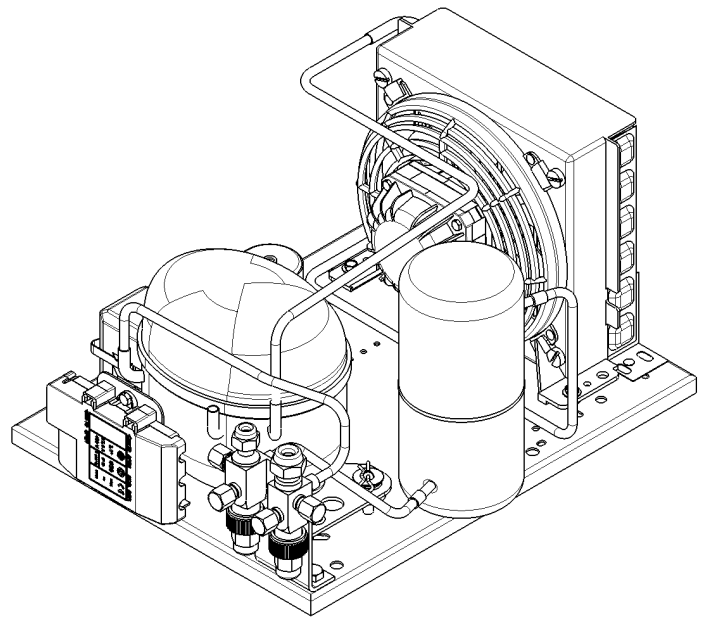
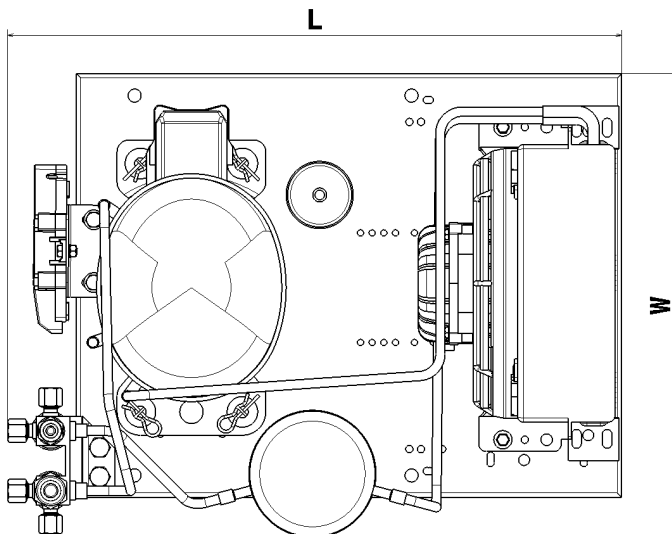
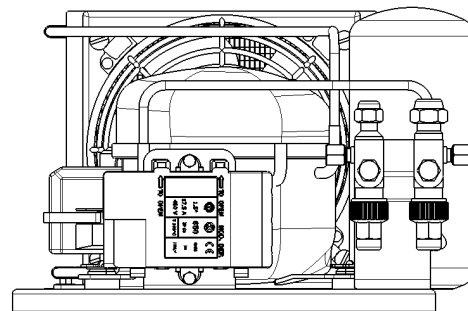
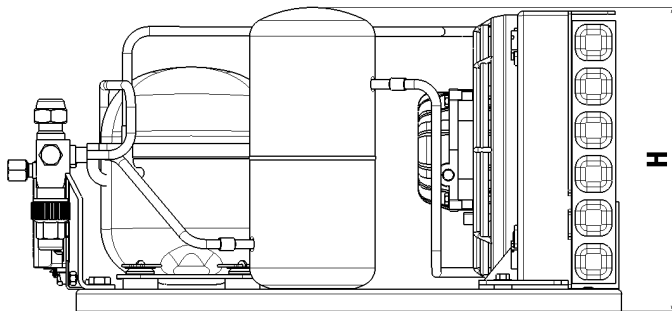
ASHRAE HBP: Condensing temperature: 55°C, Liquid temperature: 46°C, Suction temperature: 35°C, Ambient temperature: 35°C

Condensing Unit Technical Data Sheet

VERSIONS

VERSION 1	VERSION 2	VERSION 3	VERSION 3P	VERSION 4
Tube	Service valve	Service valve and receiver	Service valve, receiver, pressure switch	Schrader valve on the service port
Suction tube internal diam.: 6,1 mm Discharge tube internal diam.: 5,1 mm Net Weight: 0,0 Kg	Suction valve: 3/8" Discharge valve: 1/4" Net Weight: 0,0 Kg	Receiver vol.: 0,9 l Suction valve: 3/8" □□□: 1/4" Net Weight: 0,0 Kg	Receiver vol.: 0,9 l Suction valve: 3/8" Discharge valve: 1/4" Net Weight: 0,0 Kg	Suction tube internal diam.: 6,1 mm Discharge tube internal diam.: 5,1 mm Net Weight: 0,0 Kg

DIMENSIONS (Version 3 drawing)



VERSION 1-4 (WxLxH) (mm)	VERSION 2 (WxLxH) (mm)	VERSION 3 (WxLxH) (mm)	VERSION 3P (WxLxH) (mm)
250x305x200	315x425x205	320x425x208	335x430x240