

# Condensing Unit Technical Data Sheet

**Model** CNUY90RAa\_N  
**Voltage** 220-240V 50Hz ~1  
**Refrigerant** R290

### APPLICATION

Application High Back Pressure  
 Refrigerant R290  
 Evaporating Temp. -15,0 °C to 10,0 °C  
 Expansion Capillar/Valve  
 Comp. Cooling Fan cooled  
 Max. ambient temp. 43,0 °C

### COMPRESSOR

Displacement 8,90 cm<sup>3</sup>  
 Diameter 24,30 mm  
 Stroke 19,00 mm  
 Oil type ISO VG 46 ESTER  
 Oil charge 220 cm<sup>3</sup>

### MOTOR

Nominal Power 3/8 hp  
 Voltage/Frequency 220-240V 50Hz  
 Voltage range 198-255 V  
 Type CSIR  
 Phase number 1 PH  
 Locked Rotor Amps (LRA) 0,00 A  
 Max. Cont. Current (MCC) 0,00 A  
 Main W. resist. at 25°C 6,22 Ω  
 Start W. resist. at 25°C 12,34 Ω

### NOMINAL PERFORMANCE

Cooling Capacity	1.195 W
COP	2,13 W/W
EER	1,83 kCal/Wh
Input Power	561 W
Current	3,04 A

### ASHRAE

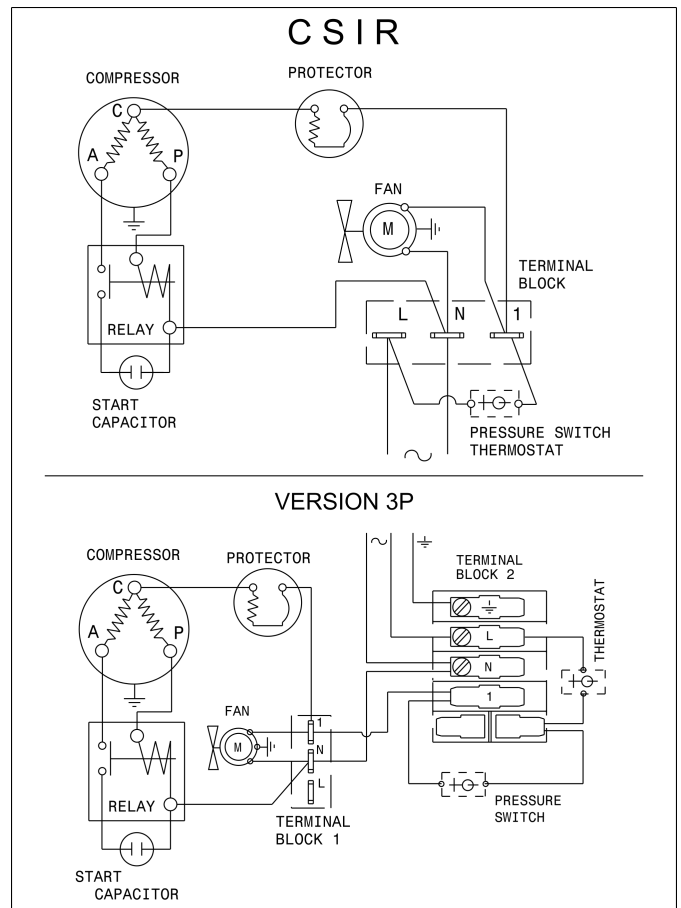
### TEST CYCLE CONDITIONS

	HBP
Evaporating temp. (T <sub>e</sub> )	7,2 °C
Condensing temp. (T <sub>c</sub> )	55,0 °C
Liquid temp. (T <sub>liq.</sub> )	46,0 °C
Ambient temp. (T <sub>amb.</sub> )	35,0 °C
Suction temp. (T <sub>suction</sub> )	35,0 °C
Voltage/Frequency	220 V 50 Hz

### CONDENSER AND FAN DATA

Condenser type	CU-AL
Condenser model	9T 4R
Fan blade (Ø mm / °)	200 / 28
Fan motor	10W 230V 50/60Hz

### WIRING DIAGRAM



### REFRIGERATION CAPACITY (W) Evaporating Temperature (°C)

Model	Motor	-25	-15	-5	5	7.2			10
						W	Winp	A	
CNUY90RAa_N	CSIR	352	537	791	1115	1195	561	3.04	1302

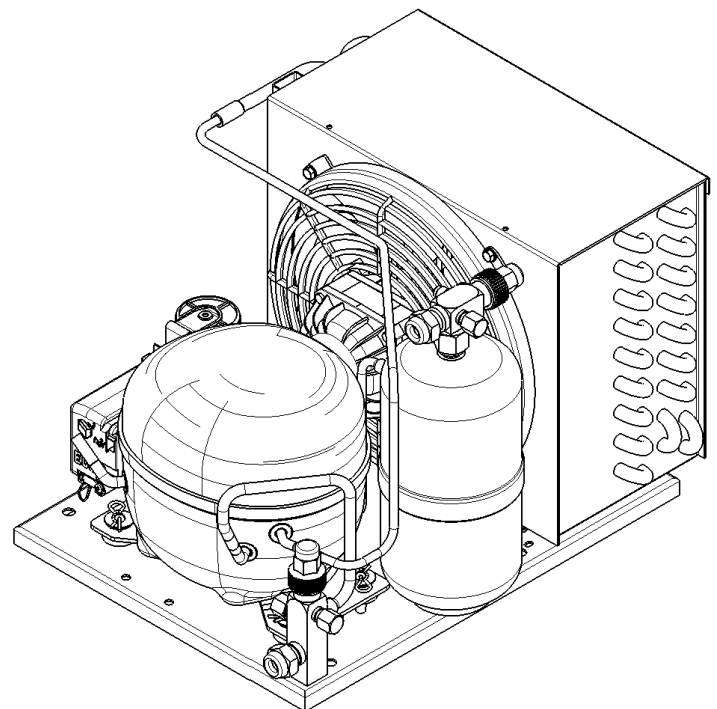
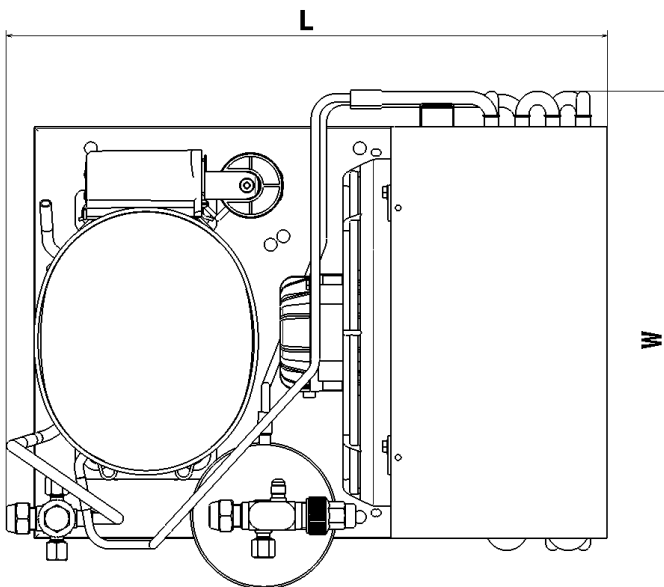
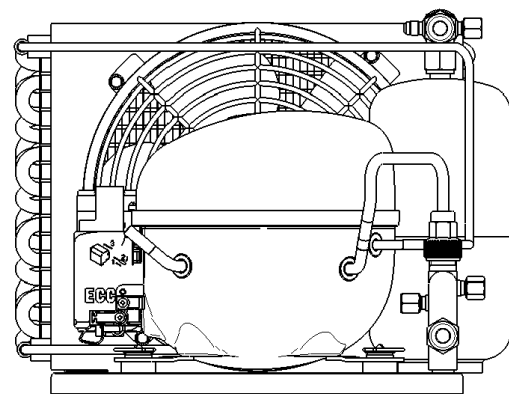
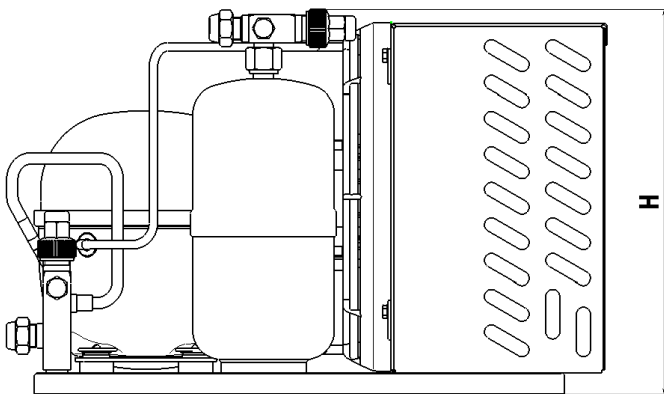
ASHRAE HBP: Condensing temperature: 55°C, Liquid temperature: 46°C, Suction temperature: 35°C, Ambient temperature: 35°C

# Condensing Unit Technical Data Sheet

## VERSIONS

VERSION 1	VERSION 2	VERSION 3	VERSION 3P	VERSION 4
<b>Tube</b>	<b>Service valve</b>	<b>Service valve and receiver</b>	<b>Service valve, receiver, pressure switch</b>	<b>Schrader valve on the service port</b>
Suction tube internal diam.: 6,5 mm Discharge tube internal diam.: 4,9 mm Net Weight: 19,8 Kg	Suction valve: 3/8" Discharge valve: 1/4" Net Weight: 22,2 Kg	Receiver vol.: 1,1 l Suction valve: 3/8" Discharge valve: 1/4" Net Weight: 23,0 Kg	Receiver vol.: 1,1 l Suction valve: 3/8" Discharge valve: 1/4" Net Weight: 24,1 Kg	Suction tube internal diam.: 6,5 mm Discharge tube internal diam.: 4,9 mm Net Weight: 22,1 Kg

## DIMENSIONS (Version 3 drawing)



VERSION 1-4 (WxLxH) (mm)	VERSION 2 (WxLxH) (mm)	VERSION 3 (WxLxH) (mm)	VERSION 3P (WxLxH) (mm)
325x415x275	325x425x275	335x425x275	335x465x275