

Technical Data Sheet

Compressor model **B52CL**
 Voltage **220-240V 50Hz ~1**
 Refrigerant **R600a**

APPLICATION

Application Low Back Pressure
 Refrigerant R600a
 Evaporating Temp. -35,0 °C to -15,0 °C
 Expansion Capillar
 Comp. Cooling Static
 Max. ambient temp. 43,0 °C

COMPRESSOR

Displacement 5,20 cm³
 Diameter 21,00 mm
 Stroke 15,20 mm
 Net Weight 4,60 Kg
 Oil type ISO VG 10 MINER
 Oil charge 120 cm³

MOTOR

Nominal Power 1/10 hp
 Voltage/Frequency 220-240V 50Hz
 Voltage range 187-255 V
 Type RSIR
 Phase number 1 PH
 Locked Rotor Amps (LRA) 2,30 A
 Max. Cont. Current (MCC) 0,71 A
 Main W. resist. at 25°C 47,00 Ω
 Start W. resist. at 25°C 23,50 Ω

NOMINAL PERFORMANCE

	ASHRAE	CECOMAF
Cooling Capacity	67 kCal/h	58 W
COP	1,20 W/W	0,94 W/W
EER	1,03 kCal/Wh	0,81 kCal/Wh
Input Power	65 W	62 W
Current	0,53 A	0,51 A

APPROVALS

TEST CYCLE CONDITIONS

	ASHRAE LBP (B)	CECOMAF LBP (A)
Evaporating temp. (T _e)	-23,3 °C	-25,0 °C
Condensing temp. (T _c)	55,0 °C	55,0 °C
Liquid temp. (T _{liq.})	32,0 °C	55,0 °C
Ambient temp. (T _{amb.})	32,0 °C	32,0 °C
Suction temp. (T _{suction})	32,0 °C	32,0 °C
Voltage/Frequency	220 V 50 Hz	220 V 50 Hz

ELECTRICAL COMPONENTS

Relay	Option 1	Option 2		
Reference	JPQII-15 (019)	QP2-15 (019)		
Voltage	V	V		
Resistance	Ω	Ω		
Protector	Option 1	Option 2	Option 3	
Reference	BT27-125 (044)	BT27-125A61D3 (044)	DRB135P61A2 (044)	
Current	2,70 A		2,70 A	
Time check	7-16 seg		7-16 seg	
Disc temp. (Open/Close)	125,00 / 61,00 °C		125,00 / 61,00 °C	

This product is approved for R290 and R600a regarding explosion safety according to standard EN 60335-1 and EN 60335-2-34

ASHRAE

Tc °C	Te °C	Cooling Capacity kCal/h	Consumption W	Current A	COP W/W	EER kCal/Wh
40	-35	42	47	0,43	1,04	0,89
40	-30	54	53	0,46	1,18	1,02
40	-25	70	60	0,50	1,36	1,17
40	-23,3	77	63	0,52	1,43	1,23
40	-20	91	68	0,55	1,56	1,34
40	-15	115	76	0,59	1,76	1,51
40	-10	143	85	0,65	1,96	1,68

45	-35	40	47	0,43	0,98	0,84
45	-30	51	54	0,47	1,12	0,96
45	-25	67	61	0,51	1,29	1,11
45	-23,3	74	63	0,52	1,35	1,16
45	-20	87	69	0,55	1,47	1,27
45	-15	111	77	0,60	1,67	1,43
45	-10	139	87	0,66	1,86	1,60

50	-35	37	47	0,43	0,92	0,79
50	-30	49	54	0,47	1,05	0,90
50	-25	64	61	0,51	1,21	1,04
50	-23,3	70	64	0,53	1,27	1,09
50	-20	84	70	0,56	1,39	1,20
50	-15	107	79	0,61	1,58	1,36
50	-10	134	88	0,67	1,77	1,52

55	-35	35	47	0,43	0,87	0,74
55	-30	46	54	0,47	0,99	0,85
55	-25	61	62	0,51	1,14	0,98
55	-23,3	67	65	0,53	1,20	1,03
55	-20	80	71	0,56	1,31	1,13
55	-15	103	80	0,62	1,50	1,29
55	-10	130	90	0,68	1,68	1,44

60	-35	33	47	0,43	0,81	0,70
60	-30	43	55	0,47	0,92	0,79
60	-25	58	63	0,52	1,07	0,92
60	-23,3	64	66	0,53	1,13	0,97
60	-20	76	72	0,57	1,24	1,07
60	-15	99	81	0,63	1,42	1,22
60	-10	126	92	0,69	1,59	1,37

CECOMAF

Tc °C	Te °C	Cooling Capacity W	Consumption W	Current A	COP W/W	EER kCal/Wh
40	-35	46	47	0,43	0,98	0,84
40	-30	60	53	0,46	1,13	0,98
40	-25	79	60	0,50	1,31	1,13
40	-23,3	86	63	0,52	1,37	1,18
40	-20	101	68	0,55	1,49	1,28
40	-15	127	76	0,59	1,66	1,44
40	-10	156	85	0,65	1,84	1,59

45	-35	42	47	0,43	0,89	0,77
45	-30	55	54	0,47	1,03	0,89
45	-25	72	61	0,51	1,18	1,02
45	-23,3	79	63	0,52	1,24	1,07
45	-20	93	69	0,55	1,35	1,16
45	-15	117	77	0,60	1,52	1,31
45	-10	146	87	0,66	1,68	1,45

50	-35	38	47	0,43	0,80	0,69
50	-30	50	54	0,47	0,92	0,79
50	-25	65	61	0,51	1,06	0,92
50	-23,3	71	64	0,53	1,11	0,96
50	-20	85	70	0,56	1,21	1,05
50	-15	108	79	0,61	1,37	1,18
50	-10	135	88	0,67	1,53	1,32

55	-35	34	47	0,43	0,71	0,62
55	-30	44	54	0,47	0,81	0,70
55	-25	58	62	0,51	0,94	0,81
55	-23,3	64	65	0,53	0,99	0,85
55	-20	77	71	0,56	1,08	0,94
55	-15	99	80	0,62	1,23	1,06
55	-10	124	90	0,68	1,38	1,19

60	-35	29	47	0,43	0,63	0,54
60	-30	39	55	0,47	0,71	0,61
60	-25	52	63	0,52	0,82	0,71
60	-23,3	57	66	0,53	0,87	0,75
60	-20	69	72	0,57	0,96	0,83
60	-15	89	81	0,63	1,10	0,95
60	-10	114	92	0,69	1,24	1,07

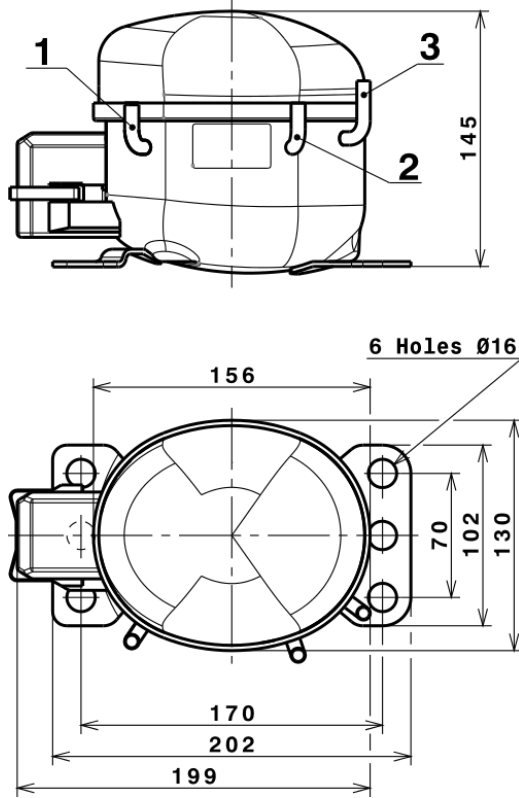
EN12900

X	Cooling Capacity (W)	Consumption (W)	Current (A)	Mass Flow (kg/h)
1	329,2915365505	88,3306138179	0,6715298664	3,3223355629347
2	9,7754194128	1,6463489387	0,0107313930	0,10989454573384
3	-2,6881110223	0,4771593081	0,0029809991	-0,013491269511352
4	0,0740422602	0,0141091216	0,0001138008	0,0010708874995316
5	-0,0532040054	0,0136331231	0,0000851714	-0,00021230799720862

Equation	$x_1 + x_2Te + x_3Tc + x_4Te^2 + x_5TeTc$
----------	---

Technical Data Sheet

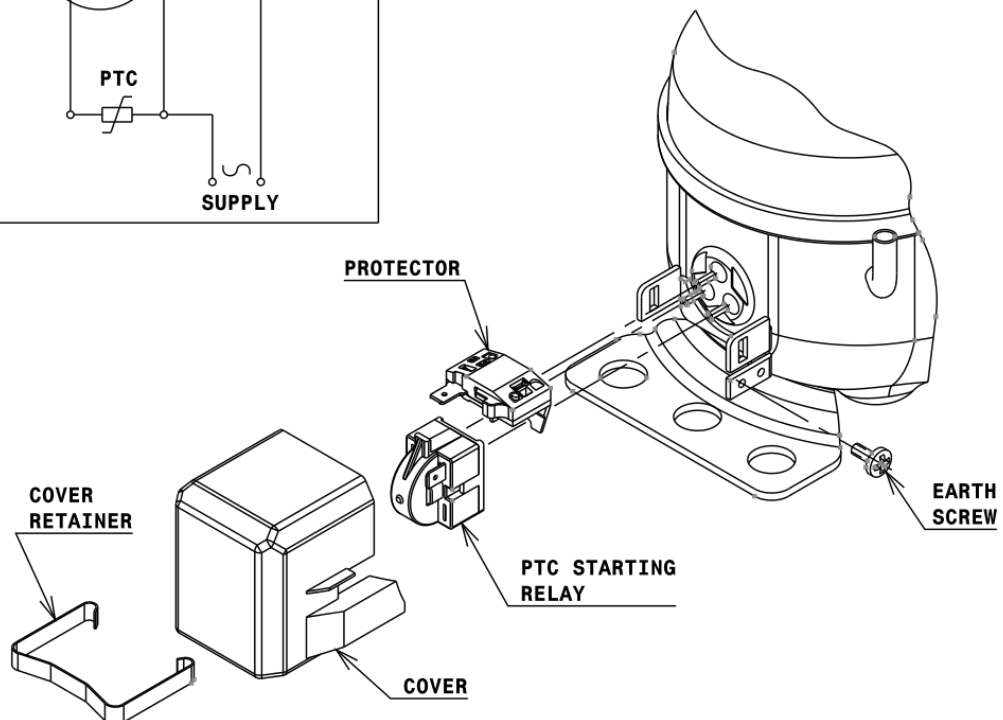
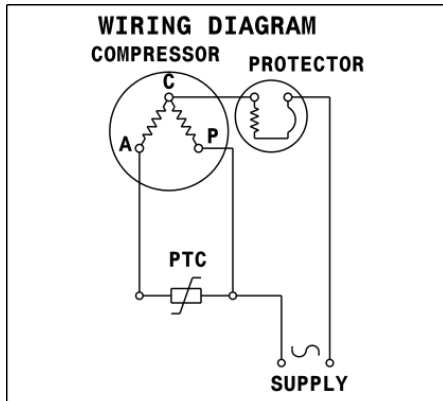
COMPRESSOR DIMENSIONS



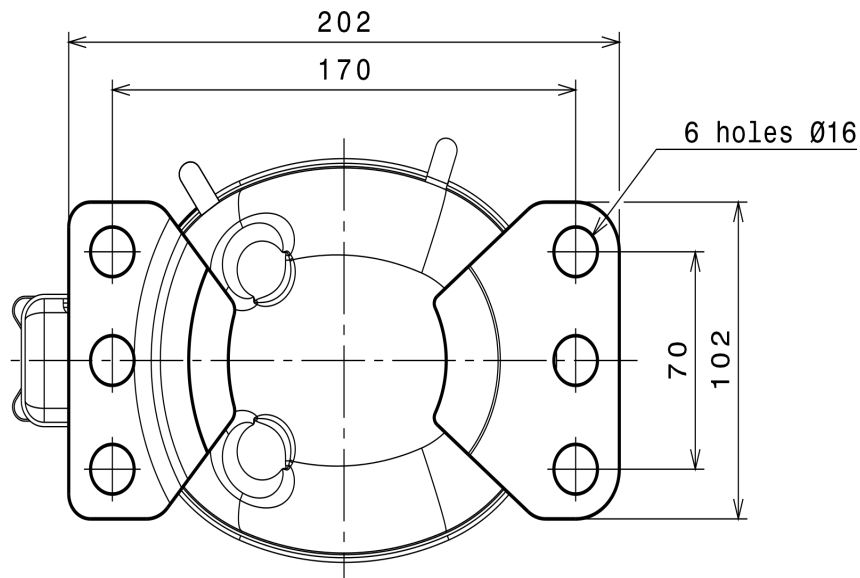
DESIGNATION	INTERNAL DIAM.
1 Suction	6,1 mm
2 Service	6,1 mm
3 Discharge	5,1 mm

WIRING DIAGRAMS AND ELECTRICAL ASSEMBLY

RSIR CONNECTION (PTC) (B, Small L ranges)



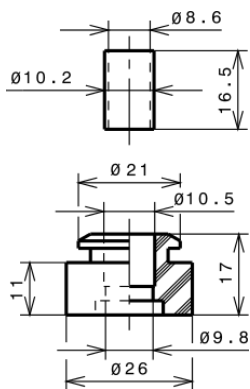
FIXINGS



SILENT BLOCKS (MOUNTING ACCESSORIES)

STANDARD

Ø16 holes (170x70 net)



SOA

SOA R600a LBP

