

Technical Data Sheet

Compressor model **B60CBL**
 Voltage **220-240V 50Hz ~1**
 Refrigerant **R600a**

APPLICATION

Application Low Back Pressure
 Refrigerant R600a
 Evaporating Temp. -35,0 °C to -15,0 °C
 Expansion Capillar
 Comp. Cooling Static
 Max. ambient temp. 43,0 °C

COMPRESSOR

Displacement 6,00 cm³
 Diameter 21,00 mm
 Stroke 17,30 mm
 Net Weight 5,40 Kg
 Oil type ISO VG 10 MINER
 Oil charge 130 cm³

MOTOR

Nominal Power 1/8 hp
 Voltage/Frequency 220-240V 50Hz
 Voltage range 187-255 V
 Type RSIR
 Phase number 1 PH
 Locked Rotor Amps (LRA) 2,60 A
 Main W. resist. at 25°C 38,70 Ω
 Start W. resist. at 25°C 15,40 Ω

NOMINAL PERFORMANCE

	ASHRAE	CECOMAF
Cooling Capacity	82 kCal/h	71 W
COP	1,40 W/W	1,10 W/W
EER	1,21 kCal/Wh	0,95 kCal/Wh
Input Power	68 W	65 W
Current	0,46 A	0,45 A

APPROVALS



TEST CYCLE CONDITIONS

	ASHRAE LBP (B)	CECOMAF LBP (A)
Evaporating temp. (T _e)	-23,3 °C	-25,0 °C
Condensing temp. (T _c)	55,0 °C	55,0 °C
Liquid temp. (T _{liq.})	32,0 °C	55,0 °C
Ambient temp. (T _{amb.})	32,0 °C	32,0 °C
Suction temp. (T _{suction})	32,0 °C	32,0 °C
Voltage/Frequency	220 V 50 Hz	220 V 50 Hz

ELECTRICAL COMPONENTS

	Option 1	Option 2		
Relay	Option 1	Option 2		
Reference	JPQII-15 A (003)	QP2-15 A (003)		
Voltage	V	V		
Resistance	Ω	Ω		
Protector	Option 1	Option 2		
Reference	BT27-125 (044)	DRB135P61A2 (044)		
Current	2,70 A	2,70 A		
Time check	7-16 seg	7-16 seg		
Disc temp. (Open/Close)	125,00 / 61,00 °C	125,00 / 61,00 °C		

This product is approved for R290 and R600a regarding explosion safety according to standard EN 60335-1 and EN 60335-2-34

ASHRAE

Tc °C	Te °C	Cooling Capacity kCal/h	Consumption W	Current A	COP W/W	EER kCal/Wh
40	-35	45	47	0,41	1,11	0,96
40	-30	62	52	0,42	1,39	1,20
40	-25	84	58	0,43	1,69	1,46
40	-23,3	92	60	0,44	1,80	1,54
40	-20	111	65	0,45	1,99	1,71
40	-15	142	73	0,47	2,28	1,96
40	-10	179	82	0,50	2,54	2,18

45	-35	44	48	0,41	1,07	0,92
45	-30	60	53	0,42	1,31	1,12
45	-25	81	60	0,44	1,56	1,35
45	-23,3	89	63	0,44	1,65	1,42
45	-20	107	68	0,46	1,82	1,57
45	-15	137	77	0,49	2,07	1,78
45	-10	173	87	0,52	2,31	1,98

50	-35	43	48	0,41	1,03	0,89
50	-30	58	55	0,42	1,23	1,06
50	-25	78	62	0,44	1,45	1,24
50	-23,3	85	65	0,45	1,52	1,31
50	-20	102	71	0,47	1,67	1,44
50	-15	132	81	0,50	1,89	1,63
50	-10	166	92	0,54	2,10	1,81

55	-35	42	49	0,41	1,00	0,86
55	-30	56	56	0,43	1,15	0,99
55	-25	75	65	0,45	1,34	1,15
55	-23,3	82	68	0,46	1,40	1,21
55	-20	98	74	0,48	1,53	1,32
55	-15	127	85	0,52	1,73	1,49
55	-10	160	97	0,56	1,92	1,65

60	-35	41	50	0,41	0,96	0,83
60	-30	54	58	0,43	1,08	0,93
60	-25	71	67	0,46	1,23	1,06
60	-23,3	79	71	0,47	1,29	1,11
60	-20	94	78	0,49	1,41	1,21
60	-15	121	89	0,53	1,58	1,36
60	-10	154	102	0,58	1,75	1,51

CECOMAF

Tc °C	Te °C	Cooling Capacity W	Consumption W	Current A	COP W/W	EER kCal/Wh
40	-35	49	47	0,41	1,05	0,90
40	-30	69	52	0,42	1,34	1,15
40	-25	94	58	0,43	1,63	1,41
40	-23,3	103	60	0,44	1,72	1,49
40	-20	123	65	0,45	1,90	1,64
40	-15	157	73	0,47	2,16	1,86
40	-10	196	82	0,50	2,39	2,06

45	-35	46	48	0,41	0,97	0,84
45	-30	64	53	0,42	1,20	1,04
45	-25	86	60	0,44	1,44	1,24
45	-23,3	95	63	0,44	1,52	1,31
45	-20	113	68	0,46	1,67	1,44
45	-15	145	77	0,49	1,89	1,63
45	-10	181	87	0,52	2,09	1,80

50	-35	43	48	0,41	0,89	0,77
50	-30	59	55	0,42	1,07	0,93
50	-25	79	62	0,44	1,26	1,09
50	-23,3	87	65	0,45	1,33	1,15
50	-20	104	71	0,47	1,46	1,26
50	-15	133	81	0,50	1,64	1,42
50	-10	167	92	0,54	1,82	1,57

55	-35	40	49	0,41	0,82	0,71
55	-30	54	56	0,43	0,95	0,82
55	-25	71	65	0,45	1,10	0,95
55	-23,3	79	68	0,46	1,16	1,00
55	-20	94	74	0,48	1,26	1,09
55	-15	121	85	0,52	1,42	1,23
55	-10	153	97	0,56	1,58	1,36

60	-35	37	50	0,41	0,75	0,65
60	-30	48	58	0,43	0,83	0,72
60	-25	64	67	0,46	0,95	0,82
60	-23,3	70	71	0,47	1,00	0,86
60	-20	84	78	0,49	1,08	0,94
60	-15	109	89	0,53	1,22	1,06
60	-10	139	102	0,58	1,36	1,18

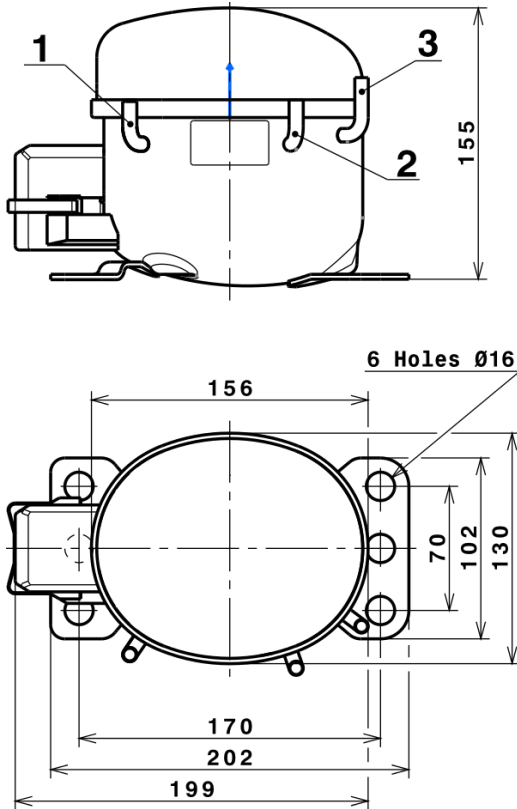
EN12900

X	Cooling Capacity (W)	Consumption (W)	Current (A)	Mass Flow (kg/h)
1	430,9030235357	51,1262560628	0,3900767894	4,4003789063156
2	13,4121549398	1,0474103923	0,0046167459	0,15186943847944
3	-3,7712513673	1,3770188320	0,0052494056	-0,022222123673737
4	0,0904651239	0,0229218558	0,0001360218	0,0013088570638425
5	-0,0904060903	0,0354534600	0,0001410021	-0,00056070774240413

Equation	$x_1 + x_2Te + x_3Tc + x_4Te^2 + x_5TeTc$
----------	---

Technical Data Sheet

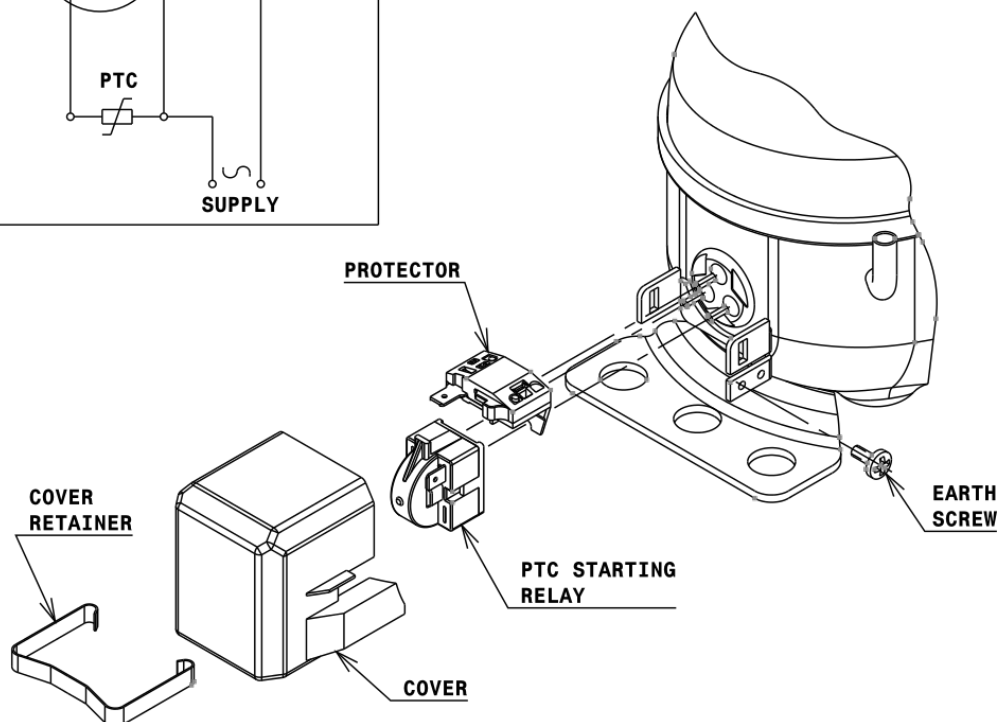
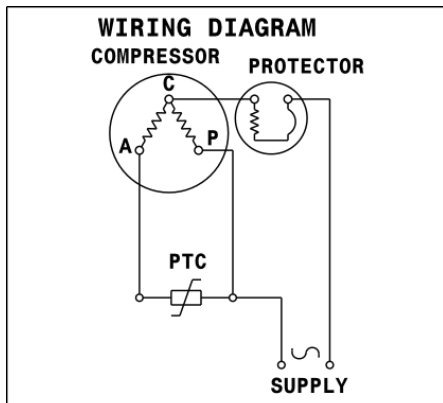
COMPRESSOR DIMENSIONS



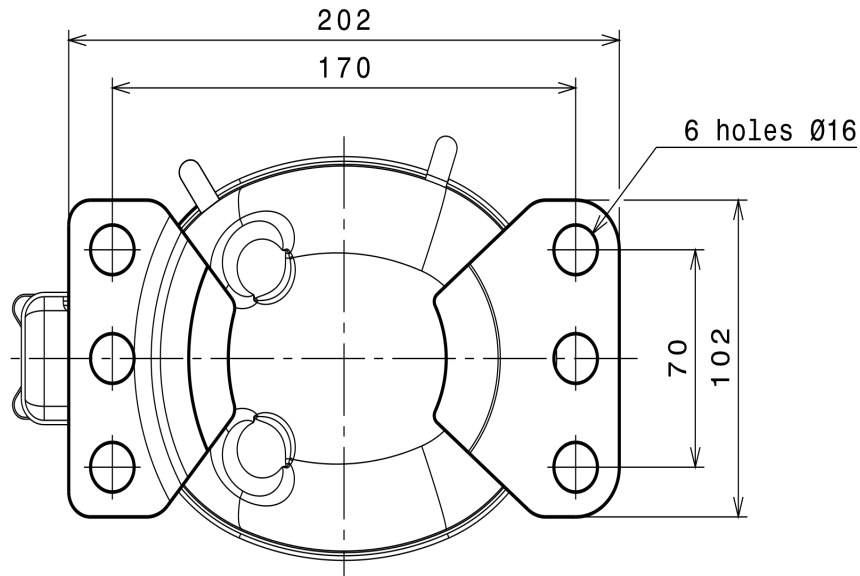
DESIGNATION	INTERNAL DIAM.
1 Suction	6,1 mm
2 Service	6,1 mm
3 Discharge	5,1 mm

WIRING DIAGRAMS AND ELECTRICAL ASSEMBLY

RSIR CONNECTION (PTC) (B, Small L ranges)



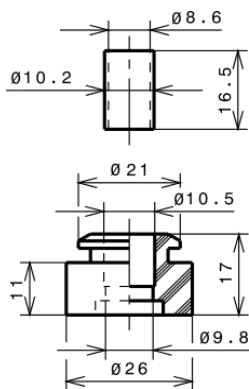
FIXINGS



SILENT BLOCKS (MOUNTING ACCESSORIES)

STANDARD

Ø16 holes (170x70 net)



SOA

SOA R600a LBP

