

Technical Data Sheet

Compressor model **GLY12RGa**
 Voltage **200-220/220-230V 50/60Hz ~1**
 Refrigerant **R134a**

APPLICATION

Application High Back Pressure
 Refrigerant R134a
 Evaporating Temp. -15,0 °C to 10,0 °C
 Expansion Capillar/Valve
 Comp. Cooling Fan cooled
 Max. ambient temp. 43,0 °C
 Compatible refriger. R1234yf

COMPRESSOR

Displacement 10,70 cm³
 Diameter 25,40 mm
 Stroke 21,12 mm
 Net Weight 10,43 Kg
 Oil type ISO VG 32 ESTER
 Oil charge 345 cm³

MOTOR

Nominal Power 3/8 hp
 Voltage/Frequency 200-220V 50Hz
 Voltage range 170-233 V
 Type CSIR
 Phase number 1 PH
 Locked Rotor Amps (LRA) 16,50 A
 Max. Cont. Current (MCC) 4,20 A
 Main W. resist. at 25°C 6,30 Ω
 Start W. resist. at 25°C 17,00 Ω

NOMINAL PERFORMANCE

	ASHRAE	CECOMAF
Cooling Capacity	900 kCal/h	867 W
COP	2,19 W/W	1,87 W/W
EER	1,88 kCal/Wh	1,62 kCal/Wh
Input Power	479 W	464 W
Current	3,25 A	3,19 A

APPROVALS



TEST CYCLE CONDITIONS

	ASHRAE HBP (D)	CECOMAF HBP (C)
Evaporating temp. (T _e)	7,2 °C	5,0 °C
Condensing temp. (T _c)	55,0 °C	55,0 °C
Liquid temp. (T _{liq.})	46,0 °C	55,0 °C
Ambient temp. (T _{amb.})	35,0 °C	32,0 °C
Suction temp. (T _{suction})	35,0 °C	32,0 °C
Voltage/Frequency	200 V 50 Hz	200 V 50 Hz

ELECTRICAL COMPONENTS

Starting capacitor	47- 56 µF 330 V			
Relay	Option 1	Option 2		
Reference	2014 138.	QLZ-6.1A		
Pick-Up	6,10 A	6.1 A		
Drop-Out	5,20 A	5.2 A		
Protector	Option 1			
Reference	T0266			
Current	11,00 A			
Time check	7,5-14 seg			
Disc temp. (Open/Close)	105,00 / 52,00 °C			

ASHRAE

Tc °C	Te °C	Cooling Capacity kCal/h	Consumption W	Current A	COP W/W	EER kCal/Wh
40	-15	405	323	2,77	1,46	1,25
40	-10	509	346	2,83	1,71	1,47
40	-5	638	371	2,89	2,00	1,72
40	0	793	396	2,96	2,33	2,00
40	5	974	423	3,05	2,68	2,30
40	7,2	1.061	435	3,09	2,84	2,44
40	10	1.179	451	3,14	3,04	2,62

45	-15	380	318	2,76	1,39	1,20
45	-10	477	346	2,82	1,61	1,38
45	-5	600	375	2,90	1,86	1,60
45	0	749	405	2,99	2,15	1,85
45	5	923	436	3,09	2,46	2,12
45	7,2	1.007	450	3,14	2,61	2,24
45	10	1.122	468	3,21	2,79	2,40

50	-15	355	312	2,75	1,32	1,14
50	-10	446	345	2,82	1,50	1,29
50	-5	562	378	2,91	1,73	1,49
50	0	704	413	3,01	1,98	1,71
50	5	872	448	3,13	2,26	1,94
50	7,2	954	464	3,19	2,39	2,05
50	10	1.065	485	3,27	2,55	2,20

55	-15	330	307	2,74	1,25	1,07
55	-10	414	344	2,82	1,40	1,20
55	-5	524	382	2,92	1,60	1,37
55	0	660	421	3,04	1,82	1,57
55	5	821	461	3,18	2,07	1,78
55	7,2	900	479	3,25	2,19	1,88
55	10	1.008	502	3,34	2,33	2,01

60	-15	305	302	2,73	1,18	1,01
60	-10	383	343	2,82	1,30	1,12
60	-5	487	386	2,93	1,47	1,26
60	0	616	429	3,07	1,67	1,43
60	5	770	474	3,23	1,89	1,63
60	7,2	846	494	3,31	1,99	1,71
60	10	950	519	3,42	2,13	1,83

65	-15	280	296	2,72	1,10	0,94
65	-10	352	342	2,82	1,19	1,03
65	-5	449	389	2,94	1,34	1,15
65	0	571	437	3,10	1,52	1,31
65	5	719	486	3,28	1,72	1,48
65	7,2	793	508	3,37	1,81	1,56
65	10	893	537	3,50	1,94	1,66

CECOMAF

Tc °C	Te °C	Cooling Capacity W	Consumption W	Current A	COP W/W	EER kCal/Wh
40	-15	436	325	2,78	1,34	1,16
40	-10	549	348	2,83	1,58	1,36
40	-5	689	373	2,90	1,85	1,59
40	0	855	399	2,97	2,14	1,85
40	5	1.048	426	3,06	2,46	2,13
40	7,2	1.142	438	3,10	2,61	2,25
40	10	1.268	454	3,15	2,80	2,42

45	-15	407	319	2,77	1,27	1,10
45	-10	512	348	2,83	1,47	1,27
45	-5	644	377	2,91	1,71	1,48
45	0	803	407	3,00	1,97	1,70
45	5	988	438	3,10	2,25	1,95
45	7,2	1.078	453	3,15	2,38	2,06
45	10	1.200	471	3,22	2,55	2,20

50	-15	378	314	2,75	1,20	1,04
50	-10	475	347	2,83	1,37	1,18
50	-5	599	380	2,92	1,57	1,36
50	0	750	415	3,02	1,81	1,56
50	5	928	451	3,14	2,06	1,78
50	7,2	1.014	467	3,20	2,17	1,88
50	10	1.132	488	3,29	2,32	2,00

55	-15	349	309	2,74	1,13	0,98
55	-10	438	346	2,83	1,27	1,10
55	-5	555	384	2,93	1,44	1,25
55	0	698	424	3,05	1,65	1,42
55	5	867	464	3,19	1,87	1,62
55	7,2	951	482	3,26	1,97	1,70
55	10	1.064	505	3,36	2,10	1,82

60	-15	320	303	2,73	1,06	0,91
60	-10	402	345	2,82	1,16	1,01
60	-5	510	388	2,94	1,31	1,14
60	0	645	432	3,08	1,49	1,29
60	5	807	477	3,24	1,69	1,46
60	7,2	887	497	3,32	1,78	1,54
60	10	996	523	3,43	1,90	1,65

65	-15	291	298	2,72	0,98	0,84
65	-10	365	344	2,82	1,06	0,92
65	-5	465	392	2,95	1,19	1,03
65	0	593	440	3,10	1,35	1,16
65	5	747	489	3,29	1,53	1,32
65	7,2	823	512	3,39	1,61	1,39
65	10	928	540	3,51	1,72	1,48

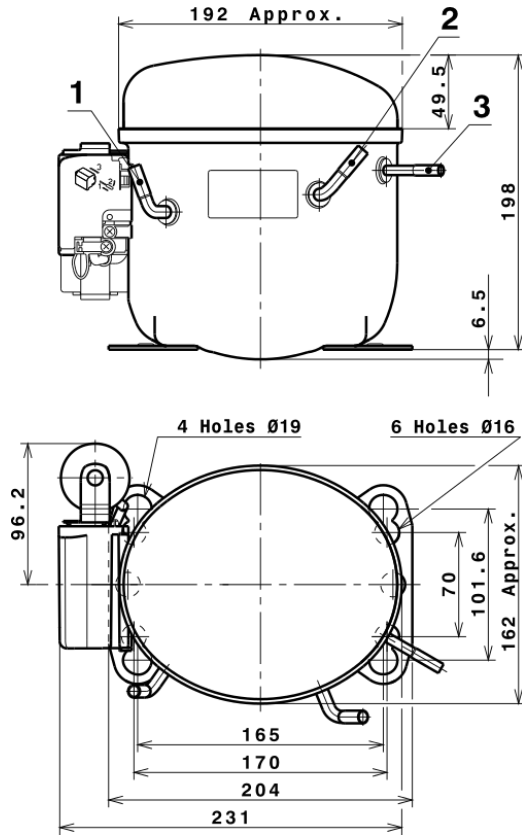
EN12900

X	Cooling Capacity (W)	Consumption (W)	Current (A)	Mass Flow (kg/h)
1	1.279,5018276928	341,3345400186	2,6901112781	21,04530739461
2	48,7930641042	-1,9423479876	-0,0062846340	0,87282978679483
3	-10,8943357141	1,6947477631	0,0071903736	-0,057424055662675
4	0,5283064870	0,0257016325	0,0004657887	0,015482000001125
5	-0,3305744215	0,1861529446	0,0006383487	-0,00059514599310485

Equation	$x_1 + x_2Te + x_3Tc + x_4Te^2 + x_5TeTc$
----------	---

Technical Data Sheet

COMPRESSOR DIMENSIONS



DESIGNATION INTERNAL DIAM.

DESIGNATION	INTERNAL DIAM.
1 Suction	8,1 mm
2 Service	8,1 mm
3 Discharge	6,5 mm

WIRING DIAGRAMS AND ELECTRICAL ASSEMBLY

CSIR CONNECTION (L, P ranges)



FIXINGS



SILENT BLOCKS (MOUNTING ACCESSORIES)

STANDARD

Ø16 holes (170x70 net)



AMERICAN FEET

Ø19 holes (165x101.6 net)



SNAP-ON

Ø16 holes (170x70 net)



SOA

SOA R134a HBP

