

**ebm-papst Mulfingen GmbH & Co. KG**

Bachmühle 2

74673 Mulfingen

Phone: +49 7938 81-0

Fax: +49 7938 81-110

www.ebmpapst.com

info1@de.ebmpapst.com

**Nominal data**

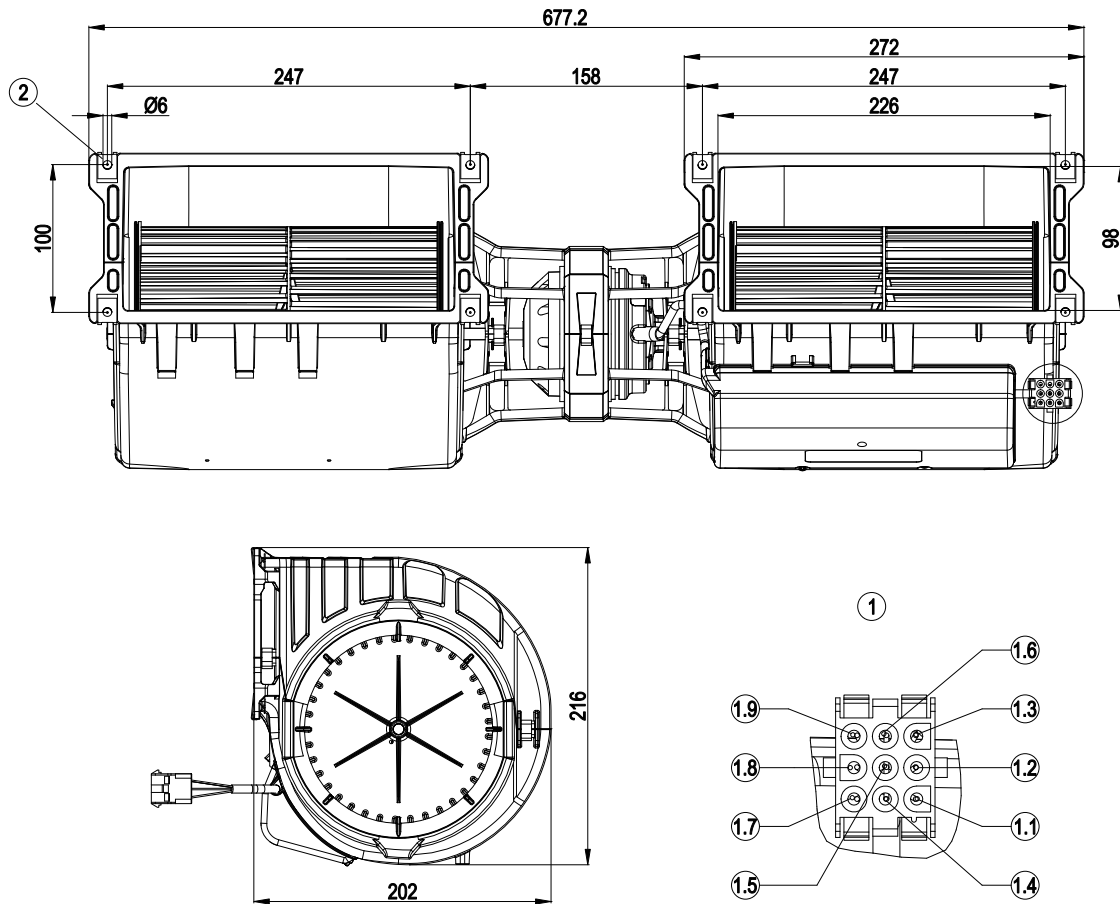
<b>Type</b>	<b>K4E146-AB73-21</b>	
<b>Motor</b>	<b>M4E068-DF</b>	
Phase		1~
Nominal voltage	[V]	230
Frequency	[Hz]	50
Type of data definition		rfa
Valid for approval / standard		CE
Speed	[min <sup>-1</sup> ]	750
Power input	[W]	85
Current draw	[A]	0.38
Motor capacitor	[µF]	2.5
Capacitor voltage	[VDB]	450
Capacitor standard		P2 (CE)
Min. back pressure	[Pa]	0
Max. ambient temperature	[°C]	50
Air flow	[m <sup>3</sup> /h]	1180
Back pressure	[Pa]	0
Sound pressure level	[dB(A)]	47

ml = max. load · me = max. efficiency · rfa = running at free air · cs = customer specs · cu = customer unit  
Subject to alterations

## Technical features

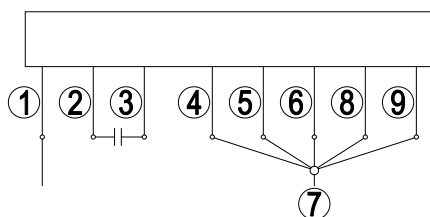
Leakage current	< 0,75 mA
Size	146 mm
Operation mode	S1
Direction of rotation	Clockwise, seen on rotor
Speed steps	5
Mounting position	Any
Electrical leads	As per customer specification
Insulation class	"F"
Cable exit	Variable
Condensate discharge holes	None
Bearing motor	Ball bearing
Mass	4.0 kg
Housing material	PP plastic, black
Material of terminal box	PP plastic, black
Material of impeller	PA plastic, black
Motor protection	Thermal overload protector (TOP) wired internally
Product conforming to standard	CE; EN 60335-1
Surface of rotor	Partially cast in aluminium
Type of protection	IP 44 - depending on position
Protection class	I
Max. permissible ambient motor temp. (transp./ storage)	+ 80 °C
Min. permissible ambient motor temp. (transp./storage)	- 40 °C
Approval	CCC

Product drawing



1	AMP Universal Mate-N-Lok coded plug system; connector shell: AMP 927 231-3; 7x plug pin: AMP 926 886-1
1.1	Step 1 (min.)
1.2	Step 2
1.3	Step 3
1.4	Step 4
1.5	Step 5 (max.)
1.6	-
1.7	-
1.8	N
1.9	Protective earth
2	8x sheet metal nut for thread EN ISO 1478-ST4.8 (min. screw length 14.5 mm plus thickness of mounting material)

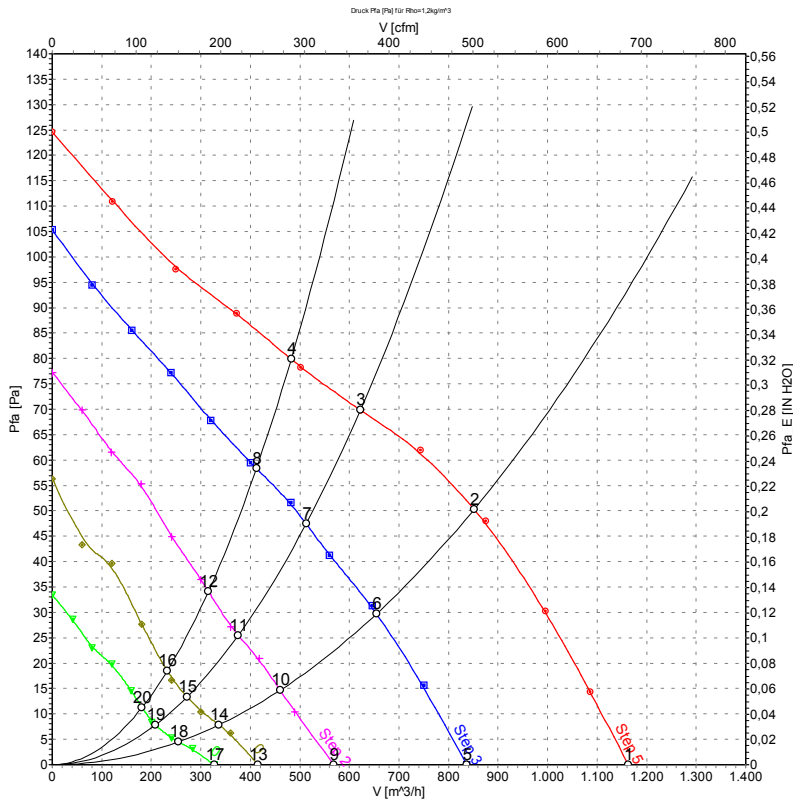
## Connection screen



Note: Fast speed (step V); slow speed (step I)

1	= N = blue	2	brown	3	yellow
4	Step I white	5	Step II red	6	Step III gray
7	L1	8	Step IV orange	9	Step V black

## Charts: Air flow 50 Hz



Measurement: LU-103355  
 Measurement: LU-73391  
 Measurement: LU-73392  
 Measurement: LU-73393  
 Measurement: LU-73395

## Measured values

	Stage	U	f	n	$P_1$	I	$L_{pA_{ss}}$	$L_{pA_{ds}}$	$L_{wA_{ss}}$	$L_{wA_{ds}}$	$\hat{V}$	$P_{fa}$
		[V]	[Hz]	[min <sup>-1</sup> ]	[W]	[A]	[dB(A)]	[dB(A)]	[dB(A)]	[dB(A)]	[m <sup>3</sup> /h]	[Pa]
1	5	230	50	750	85	0.38	46	48	57	57	1180	0
2	5	230	50	1005	77.76	0.34	45	47	55	55	850	50
3	5	230	50	1135	71.79	0.31	46	47	56	56	620	70
4	5	230	50	1205	68.14	0.30	46	48	56	57	480	80
5	4	230	50	540	64.93	0.29					835	0
6	4	230	50	790	60.02	0.27					655	30
7	4	230	50	930	56.3	0.26					515	48
8	4	230	50	1015	53.55	0.25					410	58
9	3	230	50	365	49.61	0.23					570	0
10	3	230	50	555	47.65	0.22					460	15
11	3	230	50	690	45.73	0.22					375	25
12	3	230	50	785	43.97	0.21					315	34
13	2	230	50	290	13.99	0.16					415	0
14	2	230	50	415	14.03	0.16					335	8
15	2	230	50	515	14.05	0.16					270	13
16	2	230	50	590	14.09	0.15					230	18
17	1	230	50	225	9.34	0.13					325	0
18	1	230	50	330	9.35	0.13					255	4
19	1	230	50	395	9.41	0.13					210	8
20	1	230	50	455	9.46	0.13					180	11