

QLK45/0006-2513

AC tangential blower

forward curved



ebm-papst Landshut GmbH

Hofmark-Aich-Straße 25

D-84030 Landshut

Phone +49 (0) 871 707-0

Fax +49 (0) 871 707-465

info3@de.ebmpapst.com

www.ebmpapst.com

Nominal data

Type	QLK45/0006-2513	
Phase		1~
Nominal voltage	VAC	230
Frequency	Hz	50
Speed	min ⁻¹	2650
Power input	W	15
Current draw	A	.17
Min. ambient temperature	°C	0
Max. ambient temperature	°C	60
Air flow	m ³ /h	36
Pressure increase	Pa	55

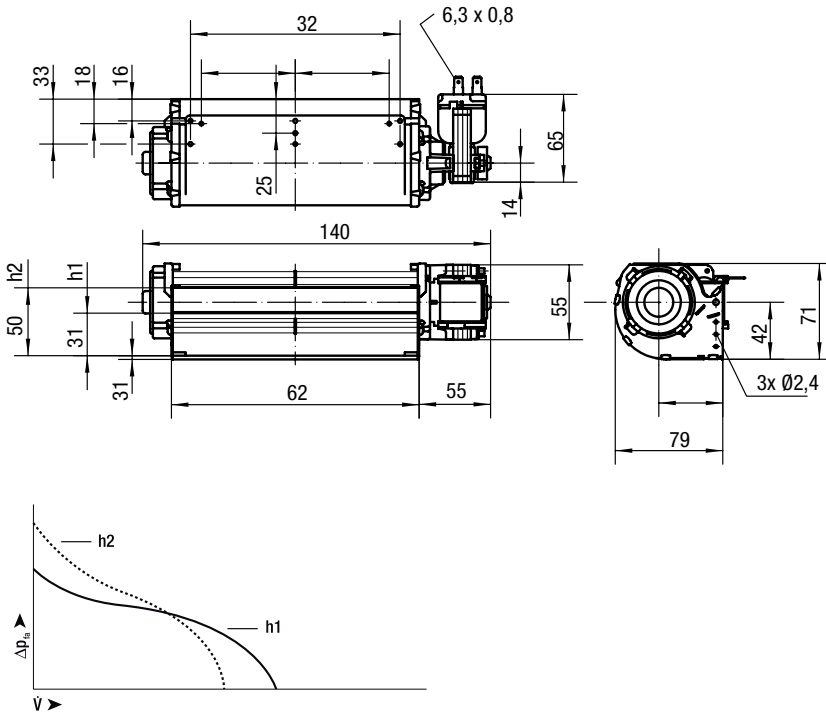
ml = Max. load · me = Max. efficiency · fa = Running at free air · cs = Customer specs · cu = Customer unit
Subject to alterations



Technical features

Mass	0.60 kg
Dimensions	45 mm
Insulation class	B, F or H also available on request
Mounting position	Horizontal or vertical with motor at bottom
Connection line	Flat plug 6.3 x 0.8

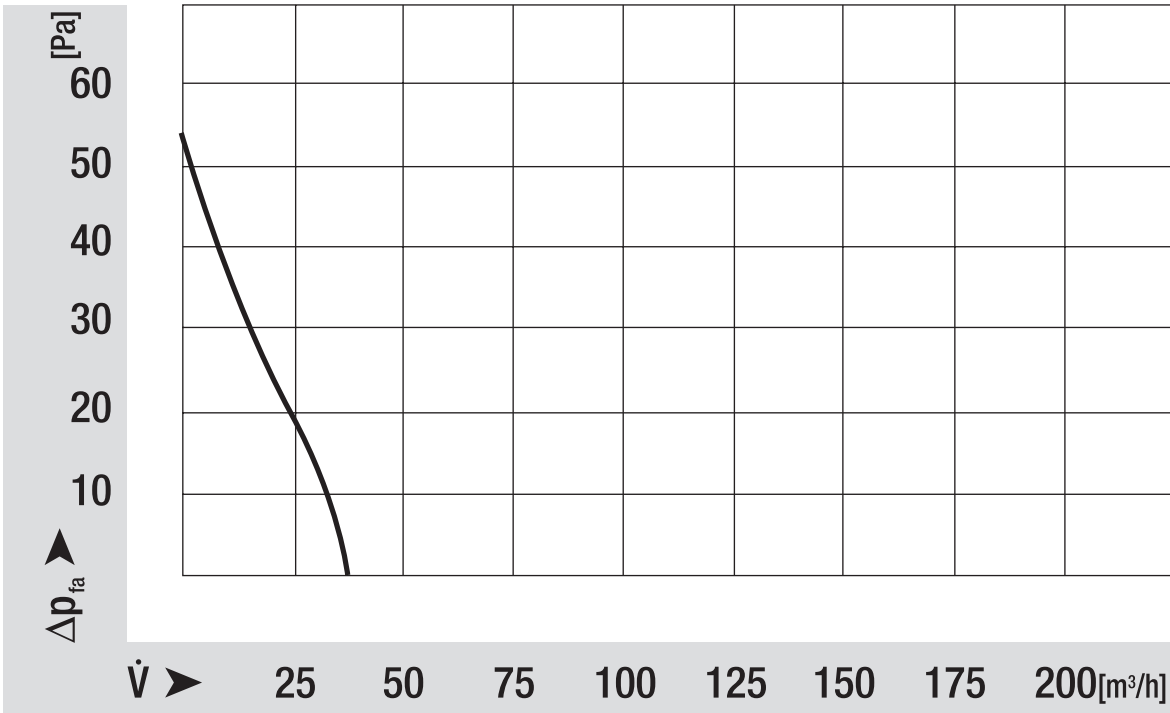
Product drawing



AC tangential blower

forward curved

Charts: Air flow



AC tangential blower

forward curved

Charts: Speed

