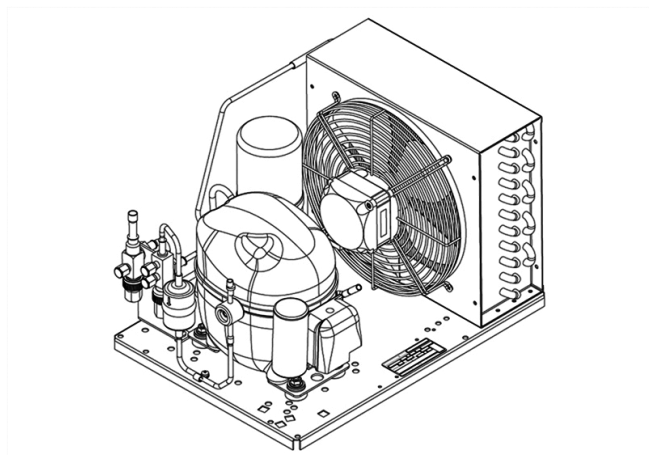


UNEK2134GK



ENGINEERING CODE
558AA8212AA



REFRIGERANT
R-452A



POWER SUPPLY
220-240 V 50 Hz



APPLICATION
LBP



MOTOR TYPE
CSIR



STANDARD
EN13215_RG20



COOLING CAPACITY
234 W



EFFICIENCY
0.81 W/W

CE

ECODESIGN COMPLIANT

DATA

GENERAL DATA

Model	UNEK2134GK
-------	------------

ACCESSORIES

Discharge valve	FLARE 1/4"	2110085
Suction valve	FLARE 3/8"	2110059

CONDENSING COMPONENTS

Compressor	NEK2134GK	LBP
Condenser	3R11T	2451206
Refrigerant	R-404A	
Expansion Device	C-V	
Fan Blade Diameter	254	
Fankit	16W 254/28/5B	1996579

MECHANICAL DATA

Air Flow	595 m ³ /h
Height	296 mm
Receiver	1.1 L
Shaft Power	16
Weight	20 Kg
Width	340 mm
Length	465 mm

PERFORMANCE

TESTED CONDITIONS

Tested Refrigerant	R-452A
Tested Application	LBP
Tested Standard	EN13215_RG20

RATED POINTS

Ambient Temperature °C	Evaporating Temperature °C	Cooling Capacity W	Efficiency W/W	Consumo de Potencia W
32	-35	234	0.81	290

Test Condition: Subcooling 3 K, Return Gas 20 °C.

PERFORMANCE CURVE

Ambient Temperature 25°C

Evaporating Temperature °C	Cooling Capacity W	Efficiency W/W	Consumo de Potencia W
-40	203	0.72	283
-30	353	1.05	336
-25	452	1.23	367
-20	568	1.42	400
-15	700	1.61	436
-10	850	1.80	473

Test Condition: Subcooling 3 K, Return Gas 20 °C.

PERFORMANCE CURVE

Ambient Temperature 32°C

Evaporating Temperature °C	Cooling Capacity W	Efficiency W/W	Consumo de Potencia W
-40	174	0.67	262
-30	308	0.96	322
-25	396	1.11	357
-20	499	1.27	394
-15	618	1.42	434
-10	751	1.58	476

Test Condition: Subcooling 3 K, Return Gas 20 °C.

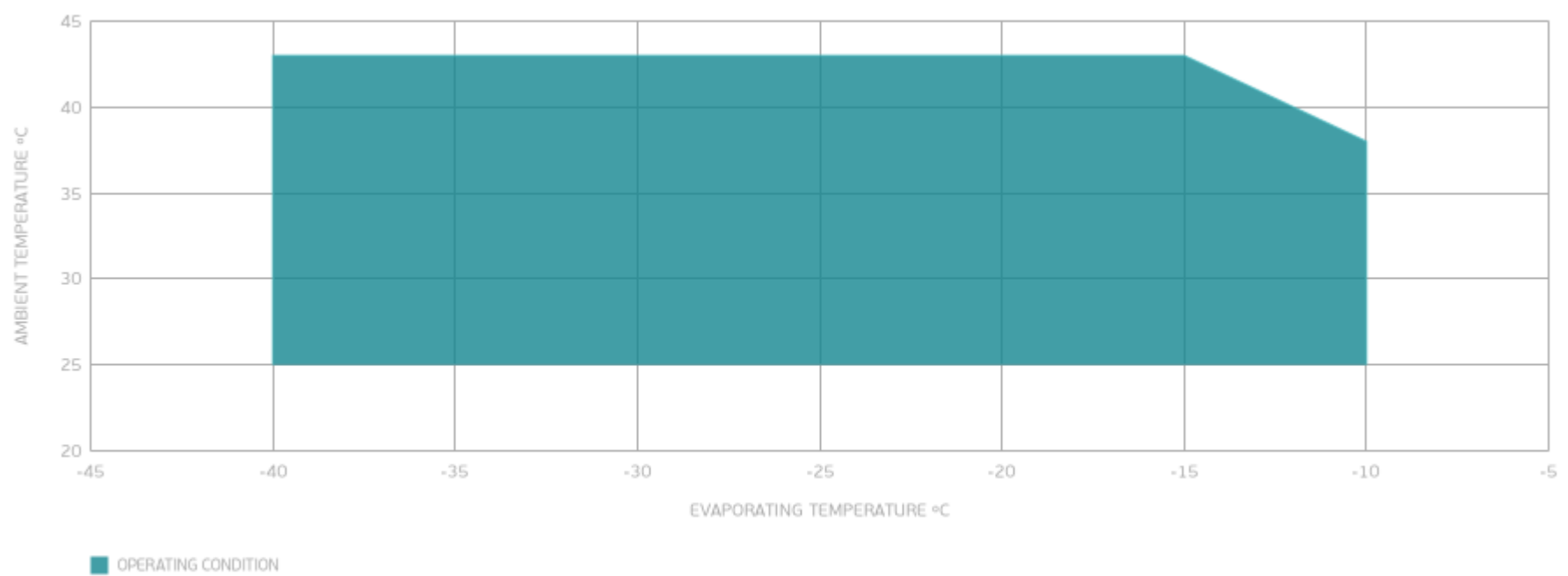
PERFORMANCE CURVE

Ambient Temperature 43°C

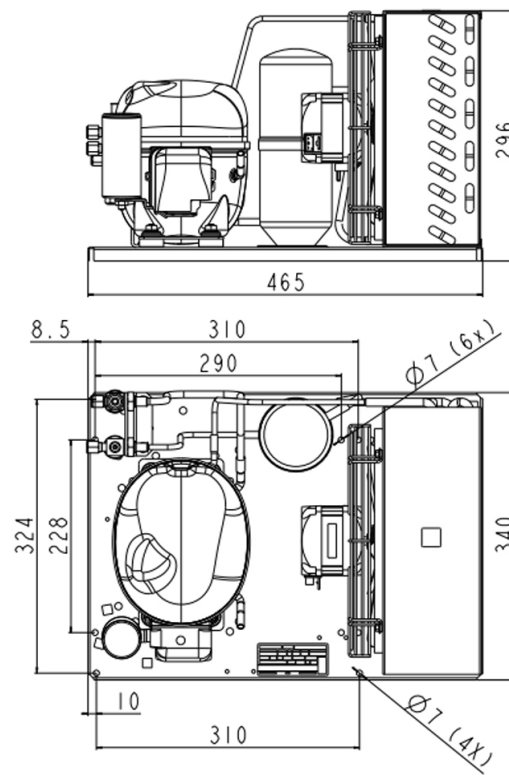
Evaporating Temperature °C	Cooling Capacity W	Efficiency W/W	Consumo de Potencia W
-40	129	0.47	276
-30	237	0.68	349
-25	309	0.79	391
-20	393	0.90	436
-15	490	1.01	483

Test Condition: Subcooling 3 K, Return Gas 20 °C.

ENVELOPE



EXTERNAL DIMENSIONS



WIRING DIAGRAM

