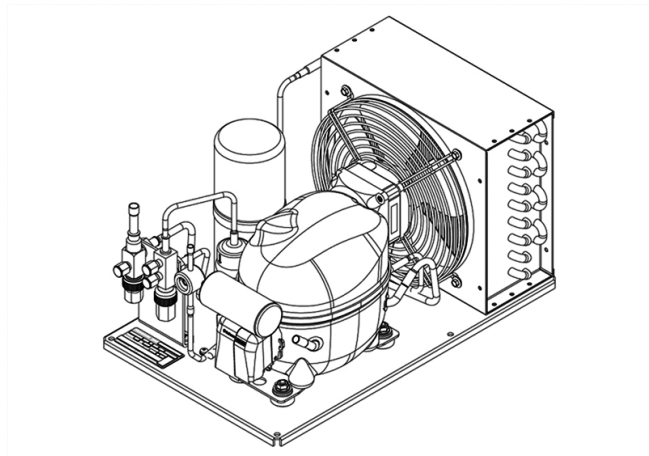


UNEK6165GK



ENGINEERING CODE
557IA5212AA



POWER SUPPLY
220-240 V 50 Hz



MOTOR TYPE
CSIR



REFRIGERANT
R-449A



APPLICATION
HBP



STANDARD
EN13215_RG20



COOLING CAPACITY
506 W



EFFICIENCY
1.4 W/W

CE

ECODESIGN
COMPLIANT

DATA

GENERAL DATA

Model UNEK6165GK

ACCESSORIES

Discharge valve	FLARE 1/4"	2110025
Suction valve	FLARE 3/8"	2110024

CONDENSING COMPONENTS

Compressor	NEK6165GK	M/HBP
Condenser	3R9T	2451205
Refrigerant	R-404A	
Expansion Device	C-V	
Fan Blade Diameter	230	
Fankit	10W 230/31/5B	1996699

MECHANICAL DATA

Air Flow	420 m ³ /h
Height	254 mm
Receiver	1.1 L
Shaft Power	10
Weight	16 Kg
Width	300 mm
Length	435 mm

PERFORMANCE

TESTED CONDITIONS

Tested Refrigerant	R-449A
Tested Application	HBP
Tested Standard	EN13215_RG20

RATED POINTS

Ambient Temperature °C	Evaporating Temperature °C	Cooling Capacity W	Efficiency W/W	Consumo de Potencia W
32	-10	506	1.4	361

Test Condition: Subcooling 3 K, Return Gas 20 °C.

PERFORMANCE CURVE

Ambient Temperature 25°C

Evaporating Temperature °C	Cooling Capacity W	Efficiency W/W	Consumo de Potencia W
-20	396	1.21	326
-15	500	1.42	352
-5	754	1.85	407
0	910	2.09	436
5	1087	2.34	464
10	1289	2.62	492

Test Condition: Subcooling 3 K, Return Gas 20 °C.

PERFORMANCE CURVE

Ambient Temperature 32°C

Evaporating Temperature °C	Cooling Capacity W	Efficiency W/W	Consumo de Potencia W
-20	354	1.20	294
-15	424	1.30	326
-5	601	1.51	397
0	713	1.64	435
5	843	1.78	474
10	994	1.94	513

Test Condition: Subcooling 3 K, Return Gas 20 °C.

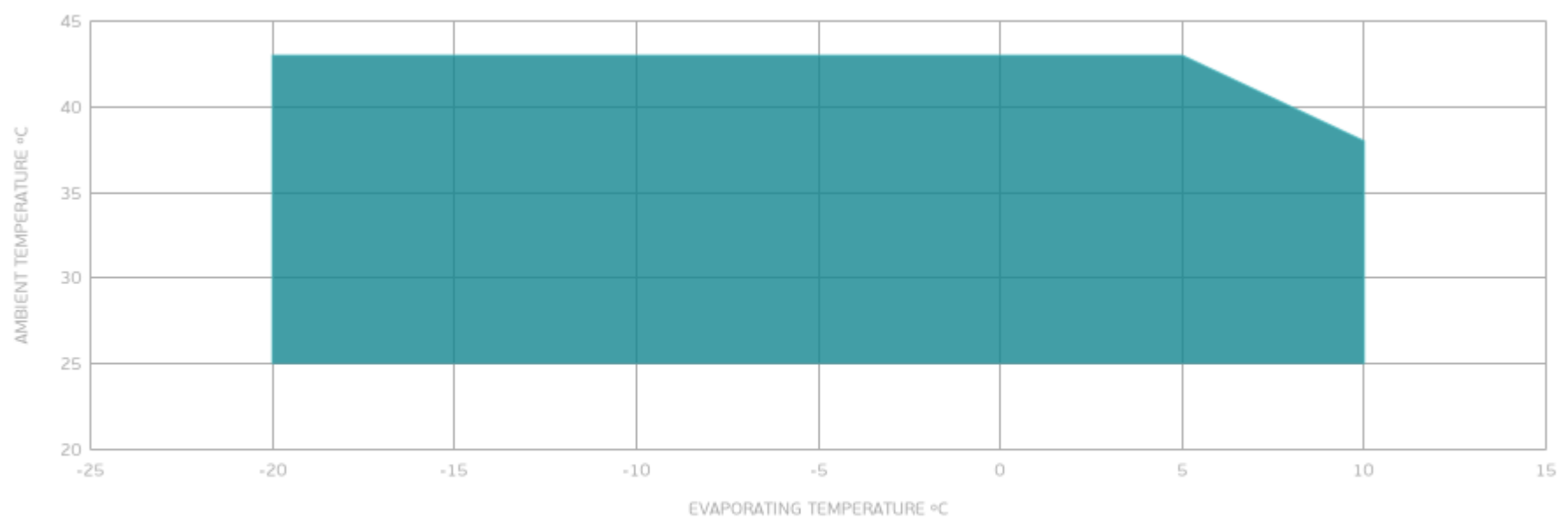
PERFORMANCE CURVE

Ambient Temperature 43°C

Evaporating Temperature °C	Cooling Capacity W	Efficiency W/W	Consumo de Potencia W
-20	330	0.96	344
-15	427	1.11	384
-5	643	1.36	475
0	766	1.46	525
5	901	1.56	577

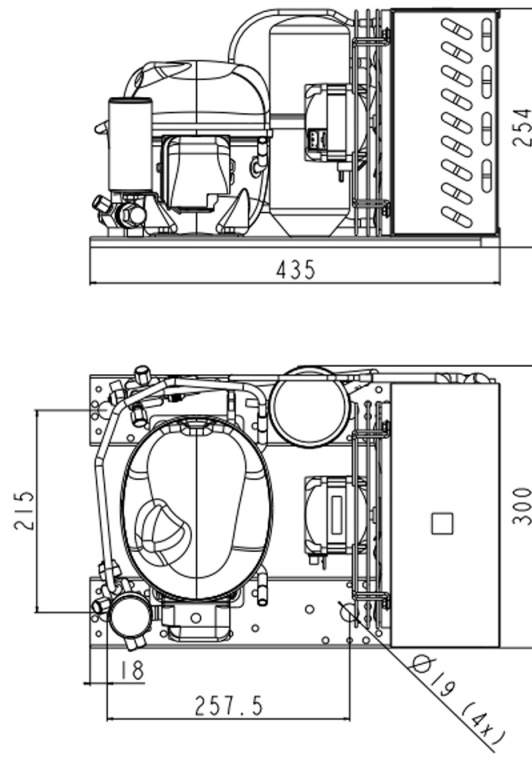
Test Condition: Subcooling 3 K, Return Gas 20 °C.

ENVELOPE



■ OPERATING CONDITION

EXTERNAL DIMENSIONS



WIRING DIAGRAM

