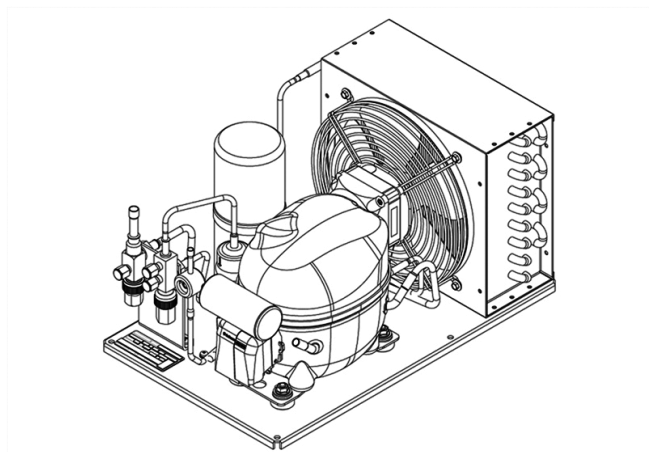


UNEK6165GK



ENGINEERING CODE
557IA5212AA



REFRIGERANT
R-452A



POWER SUPPLY
220-240 V 50 Hz



APPLICATION
HBP



MOTOR TYPE
CSIR



STANDARD
EN13215_RG20



COOLING CAPACITY
570 W



EFFICIENCY
1.48 W/W

CE

ECODESIGN
COMPLIANT

DATA

GENERAL DATA

Model UNEK6165GK

ACCESSORIES

Discharge valve FLARE 1/4" 2110025

Suction valve FLARE 3/8" 2110024

CONDENSING COMPONENTS

Compressor NEK6165GK M/HBP

Condenser 3R9T 2451205

Refrigerant R-404A

Expansion Device C-V

Fan Blade Diameter 230

Fankit 10W 230/31/5B 1996699

MECHANICAL DATA

Air Flow	420 m ³ /h
Height	254 mm
Receiver	1.1 L
Shaft Power	10
Weight	16 Kg
Width	300 mm
Length	435 mm

PERFORMANCE

TESTED CONDITIONS

Tested Refrigerant	R-452A
Tested Application	HBP
Tested Standard	EN13215_RG20

RATED POINTS

Ambient Temperature °C	Evaporating Temperature °C	Cooling Capacity W	Efficiency W/W	Consumo de Potencia W
32	-10	570	1.48	386

Test Condition: Subcooling 3 K, Return Gas 20 °C.

PERFORMANCE CURVE

Ambient Temperature 25°C

Evaporating Temperature °C	Cooling Capacity W	Efficiency W/W	Consumo de Potencia W
-20	481	1.41	341
-15	585	1.57	372
-5	838	1.89	442
0	988	2.05	481
5	1154	2.22	520
10	1338	2.39	561

Test Condition: Subcooling 3 K, Return Gas 20 °C.

PERFORMANCE CURVE

Ambient Temperature 32°C

Evaporating Temperature °C	Cooling Capacity W	Efficiency W/W	Consumo de Potencia W
-20	420	1.34	313
-15	487	1.40	347
-5	669	1.56	427
0	783	1.66	472
5	914	1.76	518
10	1061	1.88	566

Test Condition: Subcooling 3 K, Return Gas 20 °C.

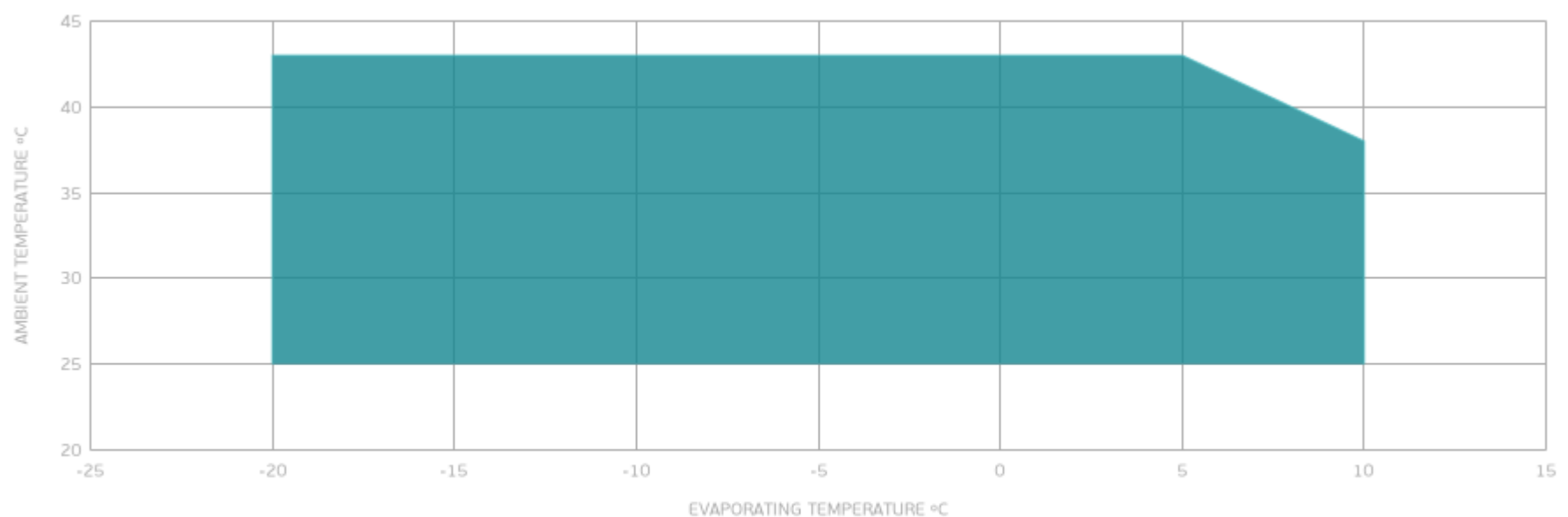
PERFORMANCE CURVE

Ambient Temperature 43°C

Evaporating Temperature °C	Cooling Capacity W	Efficiency W/W	Consumo de Potencia W
-20	366	1.00	368
-15	455	1.11	409
-5	679	1.34	506
0	814	1.45	560
5	966	1.56	618

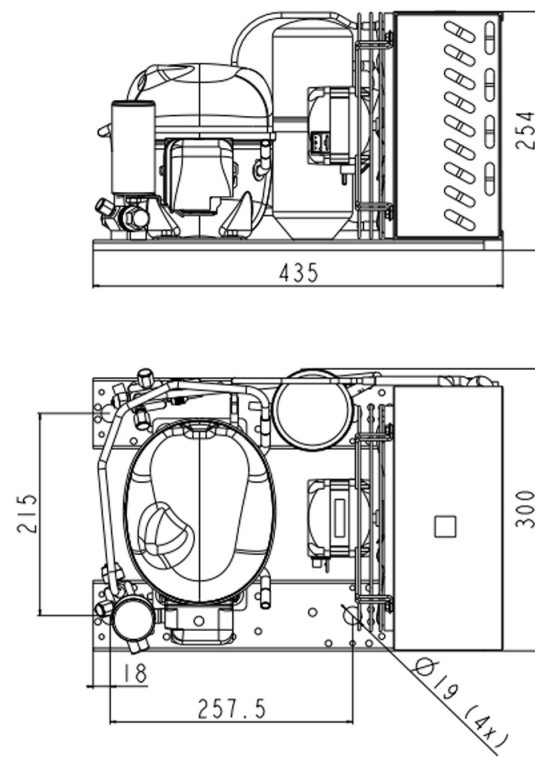
Test Condition: Subcooling 3 K, Return Gas 20 °C.

ENVELOPE



■ OPERATING CONDITION

EXTERNAL DIMENSIONS



WIRING DIAGRAM

