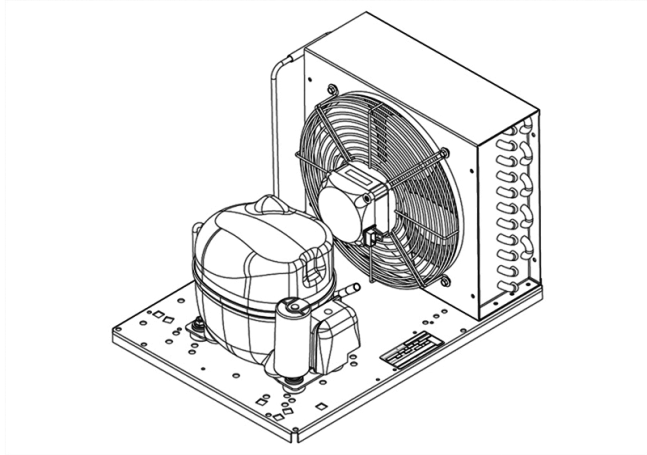


UNEK6181GK



**ENGINEERING CODE**  
557MA8212AA



**POWER SUPPLY**  
220-240 V 50 Hz



**MOTOR TYPE**  
CSIR



**REFRIGERANT**  
R-404A



**APPLICATION**  
HBP



**STANDARD**  
EN13215\_RG20



**COOLING CAPACITY**  
653 W



**EFFICIENCY**  
1.51 W/W

CE

ECODESIGN COMPLIANT

DATA

GENERAL DATA

**Model** UNEK6181GK

ACCESSORIES

<b>Discharge valve</b>	FLARE 1/4"	2110085
<b>Suction valve</b>	FLARE 3/8"	2110059

CONDENSING COMPONENTS

<b>Compressor</b>	NEK6181GK	M/HBP
<b>Condenser</b>	3R11T	2451206
<b>Refrigerant</b>	R-404A	
<b>Expansion Device</b>	C-V	
<b>Fan Blade Diameter</b>	254	
<b>Fankit</b>	16W 254/28/5B	1996610

## MECHANICAL DATA

Air Flow	595 m <sup>3</sup> /h
Height	296 mm
Receiver	1.1 L
Shaft Power	16
Weight	21 Kg
Width	340 mm
Length	465 mm

## PERFORMANCE

### TESTED CONDITIONS

Tested Refrigerant	R-404A
Tested Application	HBP
Tested Standard	EN13215_RG20

### RATED POINTS

Ambient Temperature °C	Evaporating Temperature °C	Cooling Capacity W	Efficiency W/W	Consumo de Potencia W
32	-10	653	1.51	432

Test Condition: Subcooling 3 K, Return Gas 20 °C.

### PERFORMANCE CURVE

Ambient Temperature 25°C

Evaporating Temperature °C	Cooling Capacity W	Efficiency W/W	Consumo de Potencia W
-20	475	1.33	357
-15	582	1.52	384
-5	831	1.87	444
0	975	2.05	475
5	1134	2.24	507
10	1310	2.43	539

Test Condition: Subcooling 3 K, Return Gas 20 °C.

## PERFORMANCE CURVE

Ambient Temperature 32°C

Evaporating Temperature °C	Cooling Capacity W	Efficiency W/W	Consumo de Potencia W
-20	446	1.21	368
-15	544	1.37	399
-5	773	1.65	467
0	906	1.80	504
5	1053	1.95	540
10	1215	2.11	577

Test Condition: Subcooling 3 K, Return Gas 20 °C.

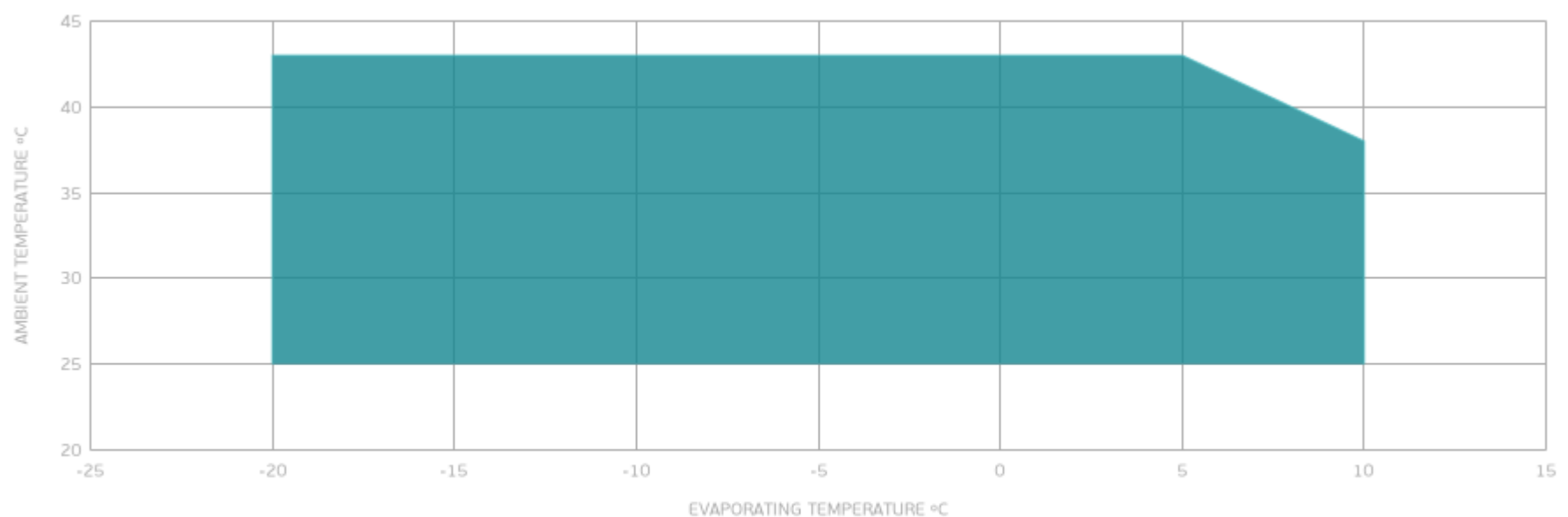
## PERFORMANCE CURVE

Ambient Temperature 43°C

Evaporating Temperature °C	Cooling Capacity W	Efficiency W/W	Consumo de Potencia W
-20	386	1.01	381
-15	475	1.12	423
-5	681	1.33	513
0	799	1.42	561
5	931	1.53	609

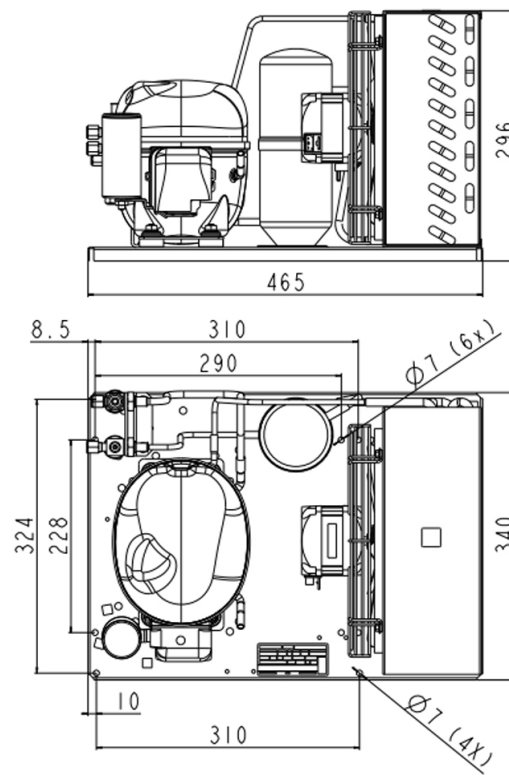
Test Condition: Subcooling 3 K, Return Gas 20 °C.

## ENVELOPE



■ OPERATING CONDITION

## EXTERNAL DIMENSIONS



## WIRING DIAGRAM

