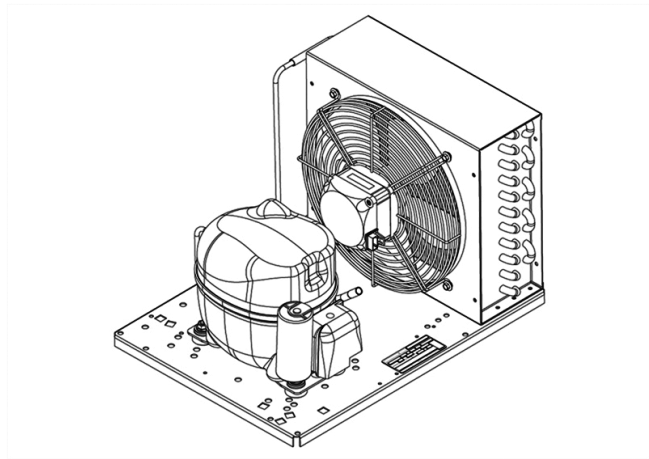


UNEK6181GK



ENGINEERING CODE
557MA8212AA



POWER SUPPLY
220-240 V 50 Hz



MOTOR TYPE
CSIR



REFRIGERANT
R-449A



APPLICATION
HBP



STANDARD
EN13215_RG20



COOLING CAPACITY
585 W



EFFICIENCY
1.48 W/W

CE

ECODESIGN
COMPLIANT

DATA

GENERAL DATA

Model UNEK6181GK

ACCESSORIES

Discharge valve	FLARE 1/4"	2110085
Suction valve	FLARE 3/8"	2110059

CONDENSING COMPONENTS

Compressor	NEK6181GK	M/HBP
Condenser	3R11T	2451206
Refrigerant	R-404A	
Expansion Device	C-V	
Fan Blade Diameter	254	
Fankit	16W 254/28/5B	1996610

MECHANICAL DATA

Air Flow	595 m ³ /h
Height	296 mm
Receiver	1.1 L
Shaft Power	16
Weight	21 Kg
Width	340 mm
Length	465 mm

PERFORMANCE

TESTED CONDITIONS

Tested Refrigerant	R-449A
Tested Application	HBP
Tested Standard	EN13215_RG20

RATED POINTS

Ambient Temperature °C	Evaporating Temperature °C	Cooling Capacity W	Efficiency W/W	Consumo de Potencia W
32	-10	585	1.48	395

Test Condition: Subcooling 3 K, Return Gas 20 °C.

PERFORMANCE CURVE

Ambient Temperature 25°C

Evaporating Temperature °C	Cooling Capacity W	Efficiency W/W	Consumo de Potencia W
-20	392	1.20	326
-15	500	1.42	352
-5	749	1.84	407
0	900	2.07	436
5	1076	2.32	464
10	1281	2.60	492

Test Condition: Subcooling 3 K, Return Gas 20 °C.

PERFORMANCE CURVE

Ambient Temperature 32°C

Evaporating Temperature °C	Cooling Capacity W	Efficiency W/W	Consumo de Potencia W
-20	368	1.10	335
-15	473	1.30	364
-5	709	1.66	428
0	850	1.83	463
5	1011	2.03	499
10	1199	2.24	535

Test Condition: Subcooling 3 K, Return Gas 20 °C.

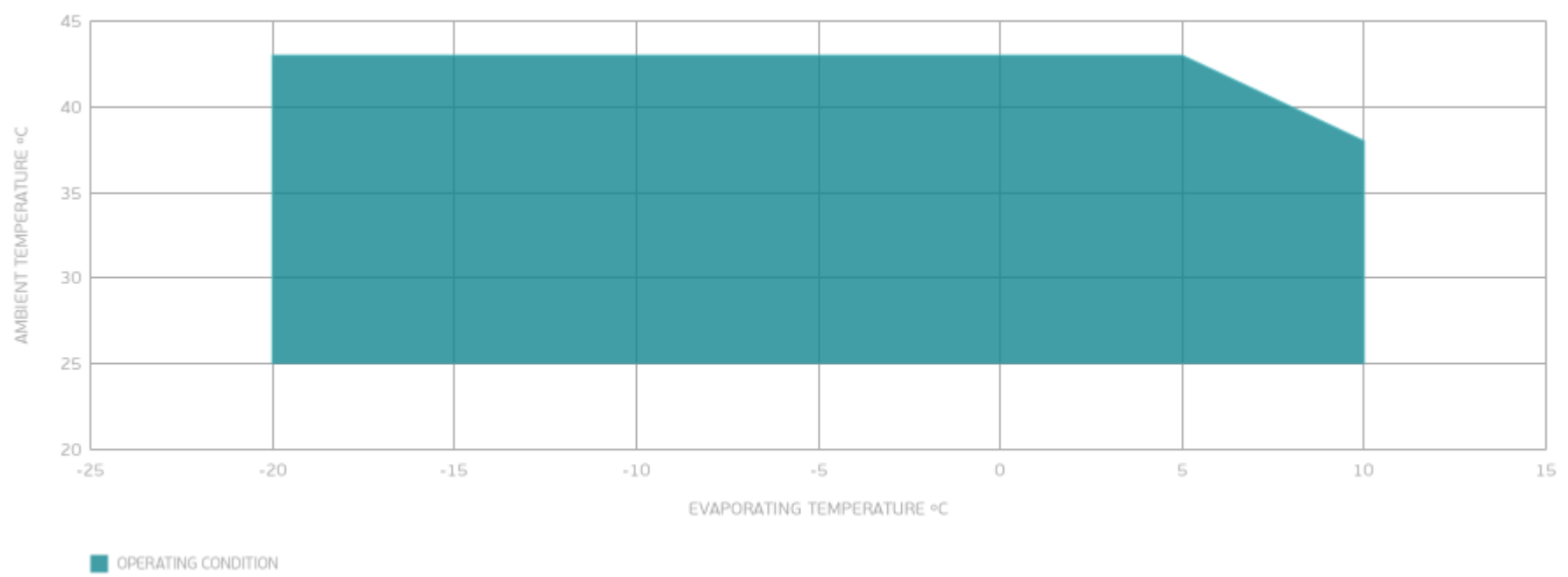
PERFORMANCE CURVE

Ambient Temperature 43°C

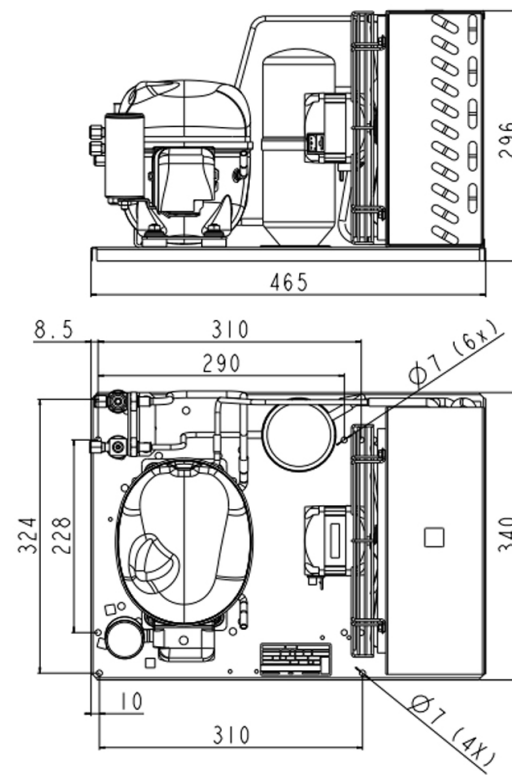
Evaporating Temperature °C	Cooling Capacity W	Efficiency W/W	Consumo de Potencia W
-20	327	0.95	345
-15	426	1.11	384
-5	637	1.34	474
0	759	1.45	525
5	896	1.55	577

Test Condition: Subcooling 3 K, Return Gas 20 °C.

ENVELOPE



EXTERNAL DIMENSIONS



WIRING DIAGRAM

