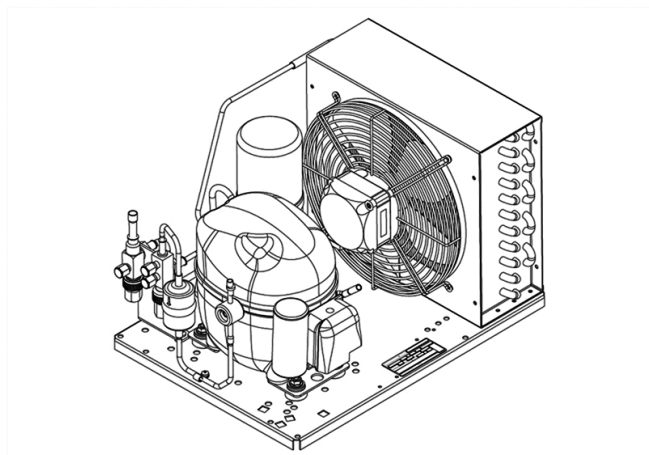


UNEK6213GK



ENGINEERING CODE
659BA8212AA



POWER SUPPLY
220-240 V 50 Hz



MOTOR TYPE
CSIR



REFRIGERANT
R-404A



APPLICATION
HBP



STANDARD
EN13215_RG20



COOLING CAPACITY
983 W



EFFICIENCY
1.46 W/W

CE

✓ ECODSIGN
COMPLIANT

DATA

GENERAL DATA

Model UNEK6213GK

ACCESSORIES

Discharge valve FLARE 1/4" 2110085

Suction valve FLARE 3/8" 2110059

CONDENSING COMPONENTS

Compressor NEK6213GK M/HBP

Condenser 3R11T 2451206

Refrigerant R-404A

Expansion Device C-V

Fan Blade Diameter 254

Fankit 16W 254/28/5B 1996579

MECHANICAL DATA

Air Flow	595 m ³ /h
Height	296 mm
Receiver	1.1 L
Shaft Power	16
Weight	22 Kg
Width	340 mm
Length	465 mm

PERFORMANCE

TESTED CONDITIONS

Tested Refrigerant	R-404A
Tested Application	HBP
Tested Standard	EN13215_RG20

RATED POINTS

Ambient Temperature °C	Evaporating Temperature °C	Cooling Capacity W	Efficiency W/W	Consumo de Potencia W
32	-10	983	1.46	672

Test Condition: Subcooling 3 K, Return Gas 20 °C.

PERFORMANCE CURVE

Ambient Temperature 25°C

Evaporating Temperature °C	Cooling Capacity W	Efficiency W/W	Consumo de Potencia W
-20	751	1.40	537
-15	915	1.55	590
-5	1259	1.75	720
0	1439	1.81	797
5	1625	1.84	884
10	1814	1.85	979

Test Condition: Subcooling 3 K, Return Gas 20 °C.

PERFORMANCE CURVE

Ambient Temperature 32°C

Evaporating Temperature °C	Cooling Capacity W	Efficiency W/W	Consumo de Potencia W
-20	685	1.24	552
-15	831	1.37	608
-5	1142	1.54	743
0	1306	1.59	823
5	1476	1.62	912
10	1652	1.64	1008

Test Condition: Subcooling 3 K, Return Gas 20 °C.

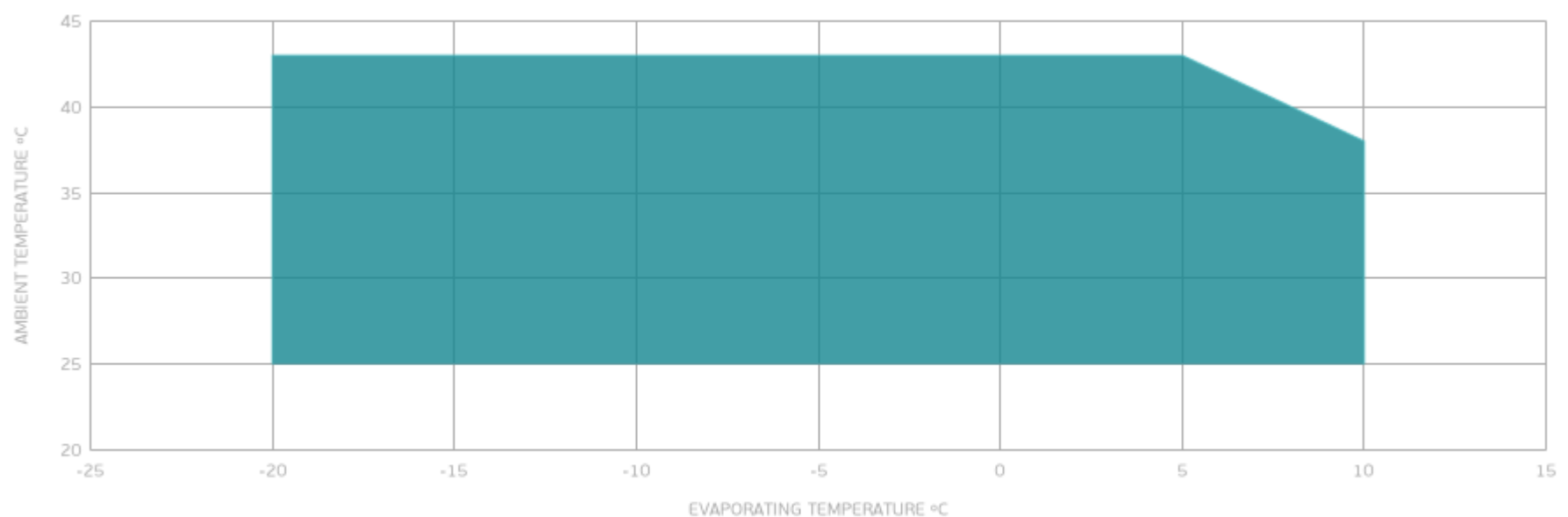
PERFORMANCE CURVE

Ambient Temperature 43°C

Evaporating Temperature °C	Cooling Capacity W	Efficiency W/W	Consumo de Potencia W
-20	542	0.92	588
-15	659	1.01	652
-5	914	1.14	804
0	1053	1.18	891
5	1197	1.21	986

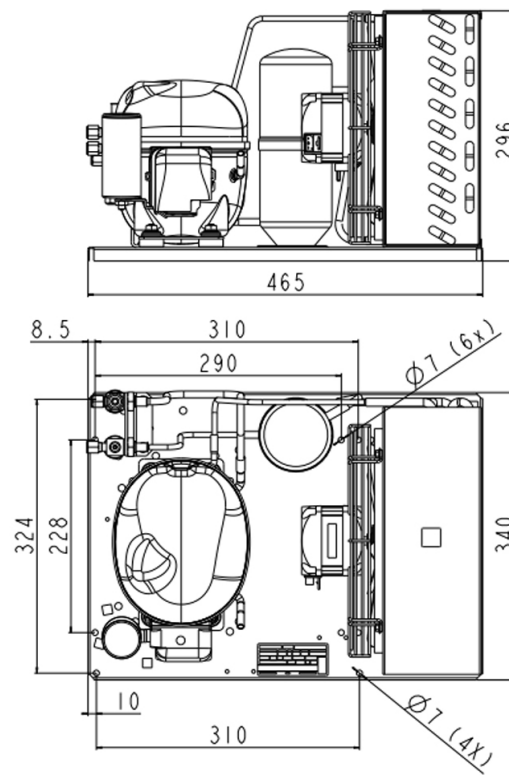
Test Condition: Subcooling 3 K, Return Gas 20 °C.

ENVELOPE



■ OPERATING CONDITION

EXTERNAL DIMENSIONS



WIRING DIAGRAM

