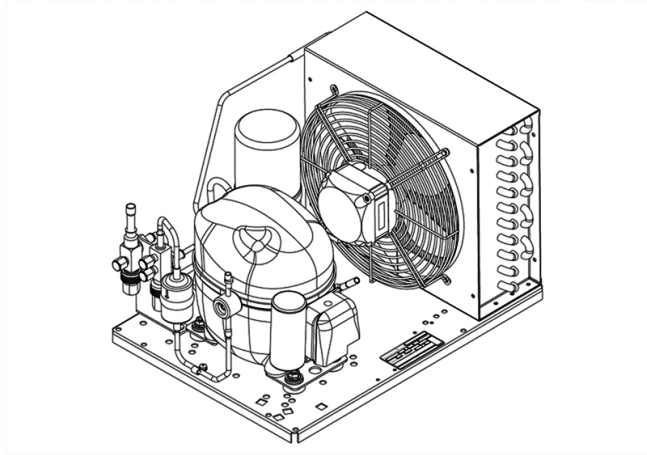


UNEK6213GK



**ENGINEERING CODE**  
659BA8212AA



**POWER SUPPLY**  
220-240 V 50 Hz



**MOTOR TYPE**  
CSIR



**REFRIGERANT**  
R-452A



**APPLICATION**  
HBP



**STANDARD**  
EN13215\_RG20



**COOLING CAPACITY**  
990 W



**EFFICIENCY**  
1.51 W/W

CE

ECODESIGN  
COMPLIANT

DATA

GENERAL DATA

**Model** UNEK6213GK

ACCESSORIES

<b>Discharge valve</b>	FLARE 1/4"	2110085
<b>Suction valve</b>	FLARE 3/8"	2110059

CONDENSING COMPONENTS

<b>Compressor</b>	NEK6213GK	M/HBP
<b>Condenser</b>	3R11T	2451206
<b>Refrigerant</b>	R-404A	
<b>Expansion Device</b>	C-V	
<b>Fan Blade Diameter</b>	254	
<b>Fankit</b>	16W 254/28/5B	1996579

## MECHANICAL DATA

Air Flow	595 m <sup>3</sup> /h
Height	296 mm
Receiver	1.1 L
Shaft Power	16
Weight	22 Kg
Width	340 mm
Length	465 mm

## PERFORMANCE

### TESTED CONDITIONS

Tested Refrigerant	R-452A
Tested Application	HBP
Tested Standard	EN13215_RG20

### RATED POINTS

Ambient Temperature °C	Evaporating Temperature °C	Cooling Capacity W	Efficiency W/W	Consumo de Potencia W
32	-10	990	1.51	656

Test Condition: Subcooling 3 K, Return Gas 20 °C.

### PERFORMANCE CURVE

Ambient Temperature 25°C

Evaporating Temperature °C	Cooling Capacity W	Efficiency W/W	Consumo de Potencia W
-20	753	1.47	512
-15	917	1.61	570
-5	1261	1.76	717
0	1445	1.79	807
5	1637	1.80	908
10	1841	1.81	1019

Test Condition: Subcooling 3 K, Return Gas 20 °C.

## PERFORMANCE CURVE

Ambient Temperature 32°C

Evaporating Temperature °C	Cooling Capacity W	Efficiency W/W	Consumo de Potencia W
-20	673	1.25	537
-15	827	1.40	591
-5	1161	1.58	733
0	1342	1.64	820
5	1536	1.67	919
10	1743	1.69	1031

Test Condition: Subcooling 3 K, Return Gas 20 °C.

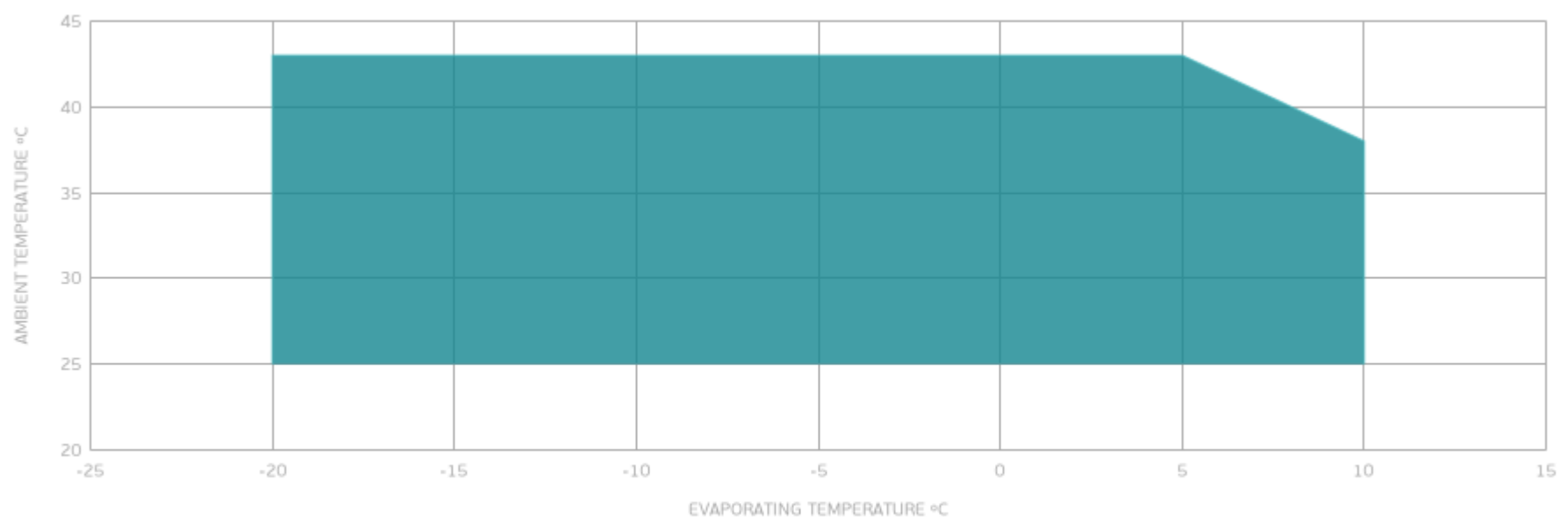
## PERFORMANCE CURVE

Ambient Temperature 43°C

Evaporating Temperature °C	Cooling Capacity W	Efficiency W/W	Consumo de Potencia W
-20	510	0.90	568
-15	629	1.00	631
-5	904	1.14	791
0	1062	1.19	890
5	1237	1.24	1001

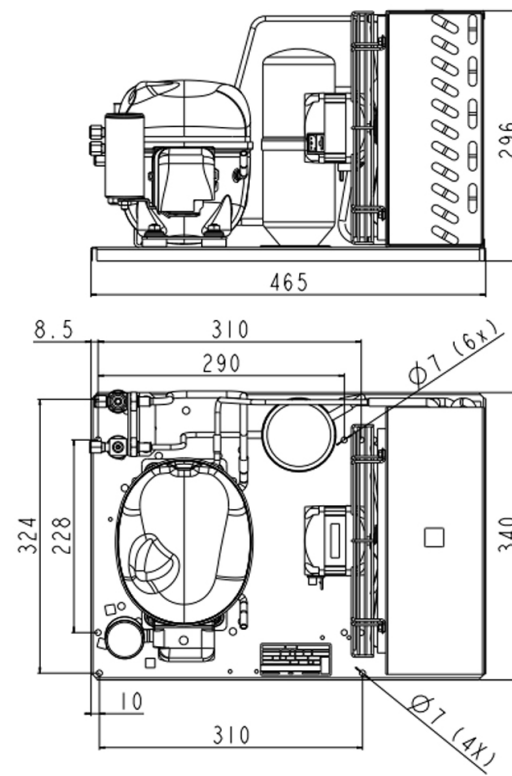
Test Condition: Subcooling 3 K, Return Gas 20 °C.

## ENVELOPE



■ OPERATING CONDITION

## EXTERNAL DIMENSIONS



## WIRING DIAGRAM

