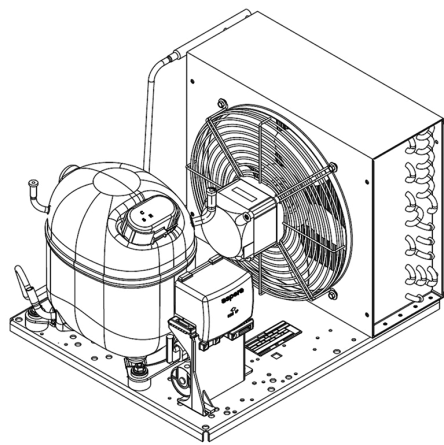


UNJ2192GJ



ENGINEERING CODE
543CA5604AA



POWER SUPPLY
220-240 V 50 Hz



MOTOR TYPE
CSR



REFRIGERANT
R-452A



APPLICATION
LBP



STANDARD
EN13215_RG20



COOLING CAPACITY
667 W



EFFICIENCY
1.05 W/W

CE

✓ ECODSIGN COMPLIANT

DATA

GENERAL DATA

Model UNJ2192GJ

ACCESSORIES

Discharge valve	SOLDER 3/8"	2110049
Suction valve	SOLDER 1/2"	2110050

CONDENSING COMPONENTS

Compressor	NJ2192GJ	LBP
Condenser	3R12T	2451140
Refrigerant	R-404A	
Expansion Device	C-V	
Fan Blade Diameter	275	
Fankit	34W 275/31/5B	1996583

MECHANICAL DATA

Air Flow	800 m ³ /h
Height	324 mm
Receiver	2.3 L
Shaft Power	34
Weight	37 Kg
Width	410 mm
Length	481 mm

PERFORMANCE

TESTED CONDITIONS

Tested Refrigerant	R-452A
Tested Application	LBP
Tested Standard	EN13215_RG20

RATED POINTS

Ambient Temperature °C	Evaporating Temperature °C	Cooling Capacity W	Efficiency W/W	Consumo de Potencia W
32	-35	667	1.05	637

Test Condition: Subcooling 3 K, Return Gas 20 °C.

PERFORMANCE CURVE

Ambient Temperature 25°C

Evaporating Temperature °C	Cooling Capacity W	Efficiency W/W	Consumo de Potencia W
-40	510	0.93	548
-30	956	1.28	747
-25	1209	1.42	852
-20	1476	1.53	962
-15	1753	1.62	1079
-10	2035	1.69	1204

Test Condition: Subcooling 3 K, Return Gas 20 °C.

PERFORMANCE CURVE

Ambient Temperature 32°C

Evaporating Temperature °C	Cooling Capacity W	Efficiency W/W	Consumo de Potencia W
-40	498	0.93	534
-30	857	1.15	747
-25	1065	1.23	865
-20	1285	1.29	993
-15	1515	1.34	1131
-10	1749	1.36	1283

Test Condition: Subcooling 3 K, Return Gas 20 °C.

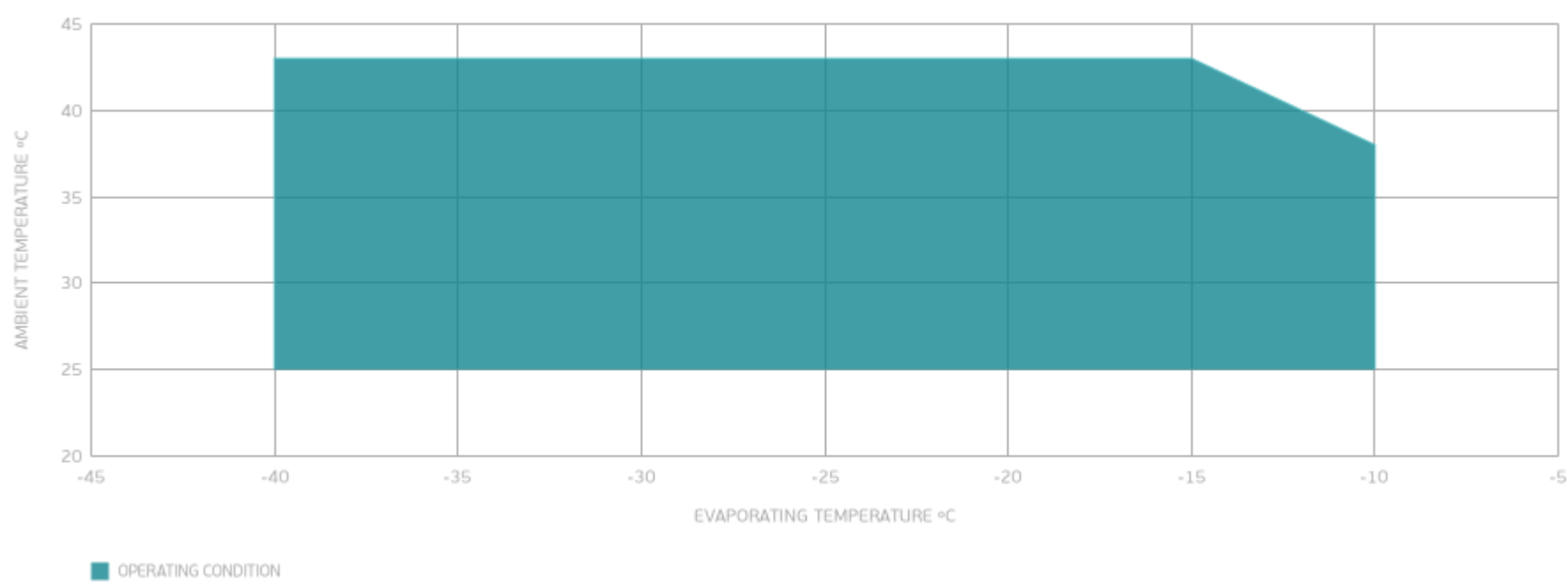
PERFORMANCE CURVE

Ambient Temperature 43°C

Evaporating Temperature °C	Cooling Capacity W	Efficiency W/W	Consumo de Potencia W
-40	272	0.53	513
-30	620	0.87	716
-25	820	0.98	839
-20	1031	1.05	977
-15	1249	1.10	1133

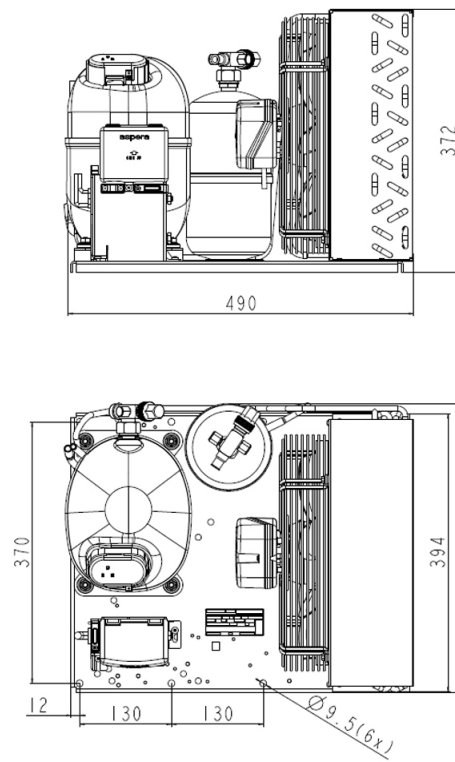
Test Condition: Subcooling 3 K, Return Gas 20 °C.

ENVELOPE



■ OPERATING CONDITION

EXTERNAL DIMENSIONS



WIRING DIAGRAM

