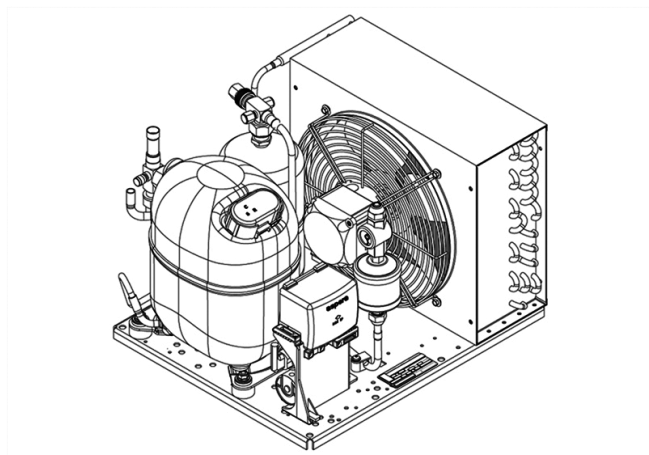


UNJ2212GK



ENGINEERING CODE
643TA5604AA



REFRIGERANT
R-404A



POWER SUPPLY
220-240 V 50 Hz



APPLICATION
LBP



MOTOR TYPE
CSR



STANDARD
EN13215_RG20



COOLING CAPACITY
883 W



EFFICIENCY
1.02 W/W

CE

ECODESIGN COMPLIANT

DATA

GENERAL DATA

Model UNJ2212GK

ACCESSORIES

Discharge valve SOLDER 3/8" 2110049

Suction valve SOLDER 5/8" 2110054

CONDENSING COMPONENTS

Compressor NJ2212GK LBP

Condenser 3R12T 2451140

Refrigerant R-404A

Expansion Device C-V

Fan Blade Diameter 275

Fankit 34W 275/31/5B 1996583

MECHANICAL DATA

| | |
|-------------|-----------------------|
| Air Flow | 800 m ³ /h |
| Height | 324 mm |
| Receiver | 2.3 L |
| Shaft Power | 34 |
| Weight | 38 Kg |
| Width | 410 mm |
| Length | 481 mm |

PERFORMANCE

TESTED CONDITIONS

| | |
|--------------------|--------------|
| Tested Refrigerant | R-404A |
| Tested Application | LBP |
| Tested Standard | EN13215_RG20 |

RATED POINTS

| Ambient Temperature °C | Evaporating Temperature °C | Cooling Capacity W | Efficiency W/W | Consumo de Potencia W |
|------------------------|----------------------------|--------------------|----------------|-----------------------|
| 32 | -35 | 883 | 1.02 | 867 |

Test Condition: Subcooling 3 K, Return Gas 20 °C.

PERFORMANCE CURVE

Ambient Temperature 25°C

| Evaporating Temperature °C | Cooling Capacity W | Efficiency W/W | Consumo de Potencia W |
|----------------------------|--------------------|----------------|-----------------------|
| -40 | 808 | 1.04 | 777 |
| -30 | 1329 | 1.32 | 1010 |
| -25 | 1617 | 1.39 | 1161 |
| -20 | 1926 | 1.44 | 1335 |
| -15 | 2260 | 1.48 | 1532 |
| -10 | 2621 | 1.50 | 1752 |

Test Condition: Subcooling 3 K, Return Gas 20 °C.

PERFORMANCE CURVE

Ambient Temperature 32°C

| Evaporating Temperature °C | Cooling Capacity W | Efficiency W/W | Consumo de Potencia W |
|----------------------------|--------------------|----------------|-----------------------|
| -40 | 629 | 0.84 | 748 |
| -30 | 1154 | 1.14 | 1008 |
| -25 | 1446 | 1.24 | 1171 |
| -20 | 1762 | 1.30 | 1355 |
| -15 | 2104 | 1.35 | 1562 |
| -10 | 2475 | 1.38 | 1791 |

Test Condition: Subcooling 3 K, Return Gas 20 °C.

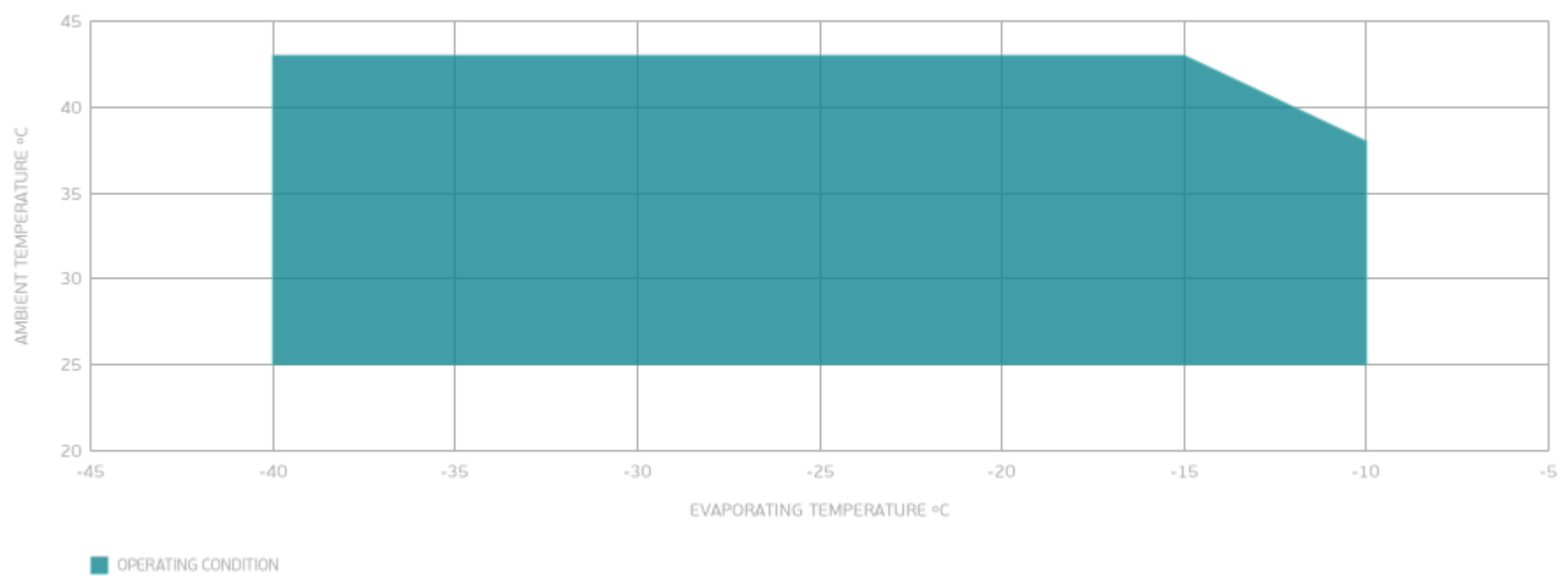
PERFORMANCE CURVE

Ambient Temperature 43°C

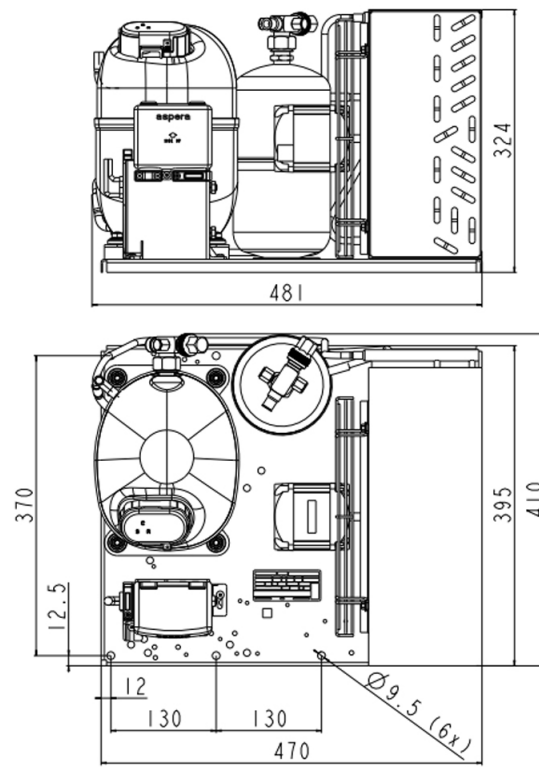
| Evaporating Temperature °C | Cooling Capacity W | Efficiency W/W | Consumo de Potencia W |
|----------------------------|--------------------|----------------|-----------------------|
| -40 | 509 | 0.69 | 737 |
| -30 | 920 | 0.88 | 1041 |
| -25 | 1159 | 0.95 | 1222 |
| -20 | 1426 | 1.00 | 1423 |
| -15 | 1721 | 1.05 | 1644 |

Test Condition: Subcooling 3 K, Return Gas 20 °C.

ENVELOPE



EXTERNAL DIMENSIONS



WIRING DIAGRAM

