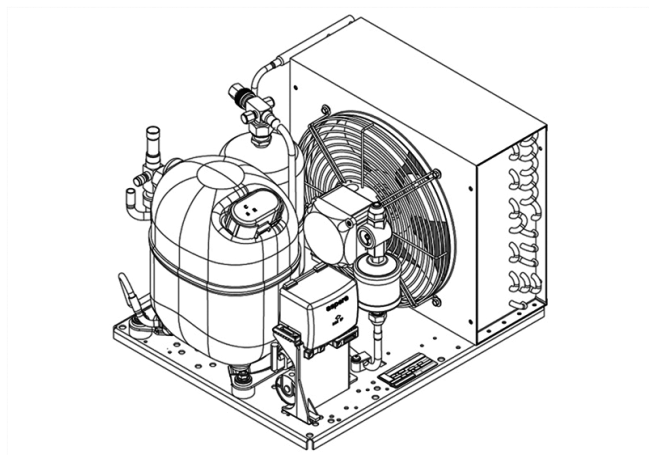


UNJ2212GK



**ENGINEERING CODE**  
643TA5604AA



**REFRIGERANT**  
R-452A



**POWER SUPPLY**  
220-240 V 50 Hz



**APPLICATION**  
LBP



**MOTOR TYPE**  
CSR



**STANDARD**  
EN13215\_RG20



**COOLING CAPACITY**  
830 W



**EFFICIENCY**  
1.02 W/W

CE

ECODESIGN COMPLIANT

DATA

GENERAL DATA

**Model** UNJ2212GK

ACCESSORIES

**Discharge valve** SOLDER 3/8" 2110049

**Suction valve** SOLDER 5/8" 2110054

CONDENSING COMPONENTS

**Compressor** NJ2212GK LBP

**Condenser** 3R12T 2451140

**Refrigerant** R-404A

**Expansion Device** C-V

**Fan Blade Diameter** 275

**Fankit** 34W 275/31/5B 1996583

## MECHANICAL DATA

Air Flow	800 m <sup>3</sup> /h
Height	324 mm
Receiver	2.3 L
Shaft Power	34
Weight	38 Kg
Width	410 mm
Length	481 mm

## PERFORMANCE

### TESTED CONDITIONS

Tested Refrigerant	R-452A
Tested Application	LBP
Tested Standard	EN13215_RG20

### RATED POINTS

Ambient Temperature °C	Evaporating Temperature °C	Cooling Capacity W	Efficiency W/W	Consumo de Potencia W
32	-35	830	1.02	813

Test Condition: Subcooling 3 K, Return Gas 20 °C.

### PERFORMANCE CURVE

Ambient Temperature 25°C

Evaporating Temperature °C	Cooling Capacity W	Efficiency W/W	Consumo de Potencia W
-40	733	0.99	741
-30	1278	1.31	978
-25	1581	1.41	1122
-20	1902	1.47	1290
-15	2239	1.51	1483
-10	2592	1.52	1707

Test Condition: Subcooling 3 K, Return Gas 20 °C.

## PERFORMANCE CURVE

Ambient Temperature 32°C

Evaporating Temperature °C	Cooling Capacity W	Efficiency W/W	Consumo de Potencia W
-40	606	0.90	676
-30	1077	1.11	966
-25	1343	1.18	1139
-20	1628	1.22	1336
-15	1929	1.24	1561
-10	2246	1.24	1817

Test Condition: Subcooling 3 K, Return Gas 20 °C.

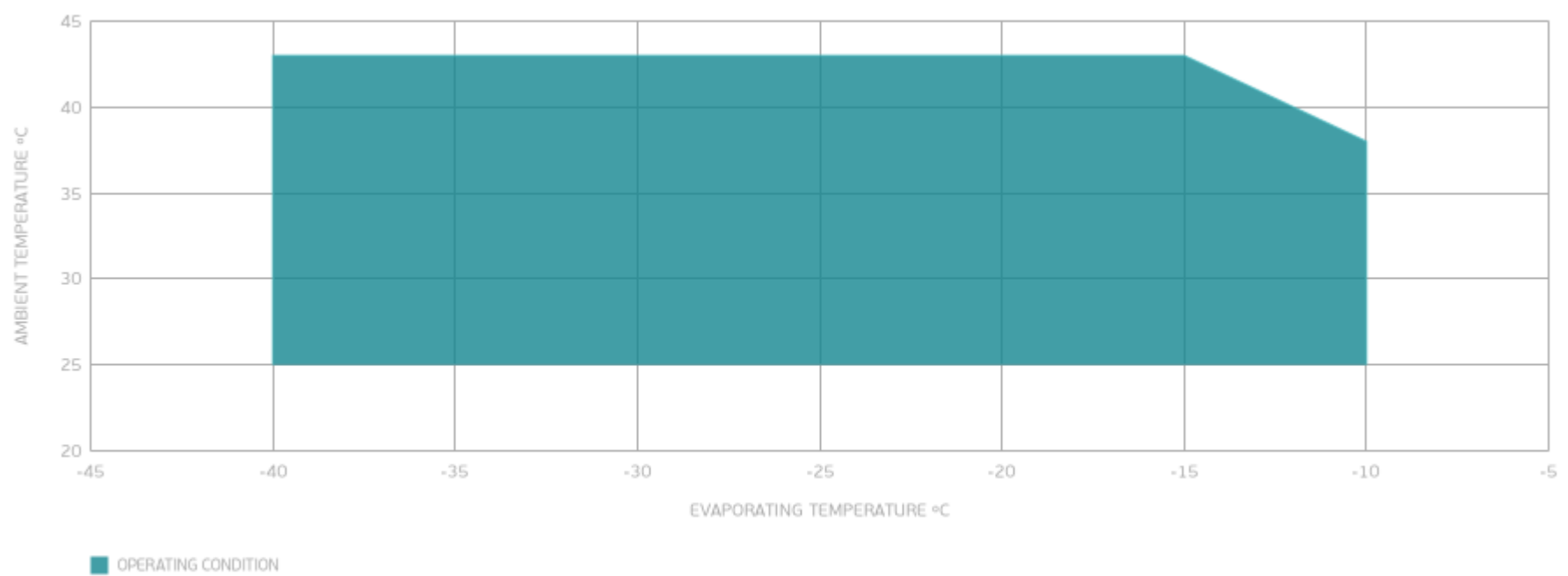
## PERFORMANCE CURVE

Ambient Temperature 43°C

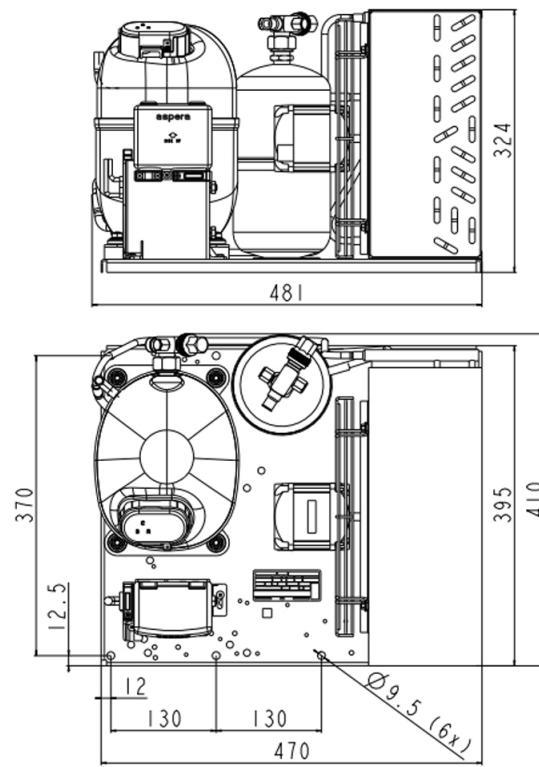
Evaporating Temperature °C	Cooling Capacity W	Efficiency W/W	Consumo de Potencia W
-40	409	0.59	696
-30	838	0.85	982
-25	1084	0.94	1156
-20	1349	1.00	1355
-15	1631	1.03	1584

Test Condition: Subcooling 3 K, Return Gas 20 °C.

## ENVELOPE



## EXTERNAL DIMENSIONS



## WIRING DIAGRAM

