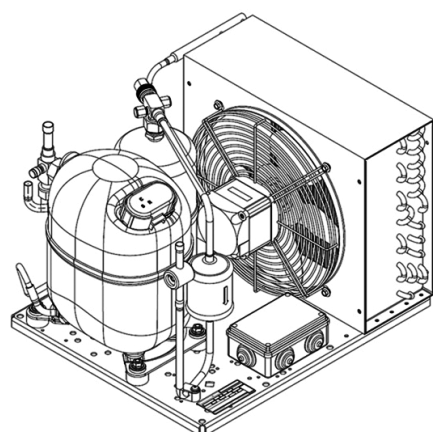


UNJ6220ZX



ENGINEERING CODE
548PM5603AA



POWER SUPPLY
380-420 V 50 Hz



MOTOR TYPE
3PH



REFRIGERANT
R-513A



APPLICATION
HBP



STANDARD
EN13215_RG20

CE

ECODESIGN COMPLIANT



COOLING CAPACITY
1311 W



EFFICIENCY
1.71 W/W

DATA

GENERAL DATA

Model UNJ6220ZX

ACCESSORIES

Discharge valve	SOLDER 3/8"	2110049
Suction valve	SOLDER 1/2"	2110050

CONDENSING COMPONENTS

Compressor	NJ6220ZX	M/HBP
Condenser	3R12T	2451140
Refrigerant	R-134a	
Expansion Device	C-V	
Fan Blade Diameter	275	
Fankit	34W/400V 275/31	1996582

MECHANICAL DATA

Air Flow	640 m ³ /h
Height	324 mm
Receiver	2.3 L
Shaft Power	34
Weight	35 Kg
Width	410 mm
Length	481 mm

PERFORMANCE

TESTED CONDITIONS

Tested Refrigerant	R-513A
Tested Application	HBP
Tested Standard	EN13215_RG20

RATED POINTS

Ambient Temperature °C	Evaporating Temperature °C	Cooling Capacity W	Efficiency W/W	Consumo de Potencia W
32	-10	1311	1.71	766

Test Condition: Subcooling 3 K, Return Gas 20 °C.

PERFORMANCE CURVE

Ambient Temperature 25°C

Evaporating Temperature °C	Cooling Capacity W	Efficiency W/W	Consumo de Potencia W
-15	1185	1.78	666
-5	1745	2.10	829
0	2069	2.25	920
5	2421	2.38	1015
10	2800	2.52	1113

Test Condition: Subcooling 3 K, Return Gas 20 °C.

PERFORMANCE CURVE

Ambient Temperature 32°C

Evaporating Temperature °C	Cooling Capacity W	Efficiency W/W	Consumo de Potencia W
-15	1069	1.55	689
-5	1579	1.85	852
0	1872	1.98	944
5	2188	2.10	1043
10	2528	2.20	1146

Test Condition: Subcooling 3 K, Return Gas 20 °C.

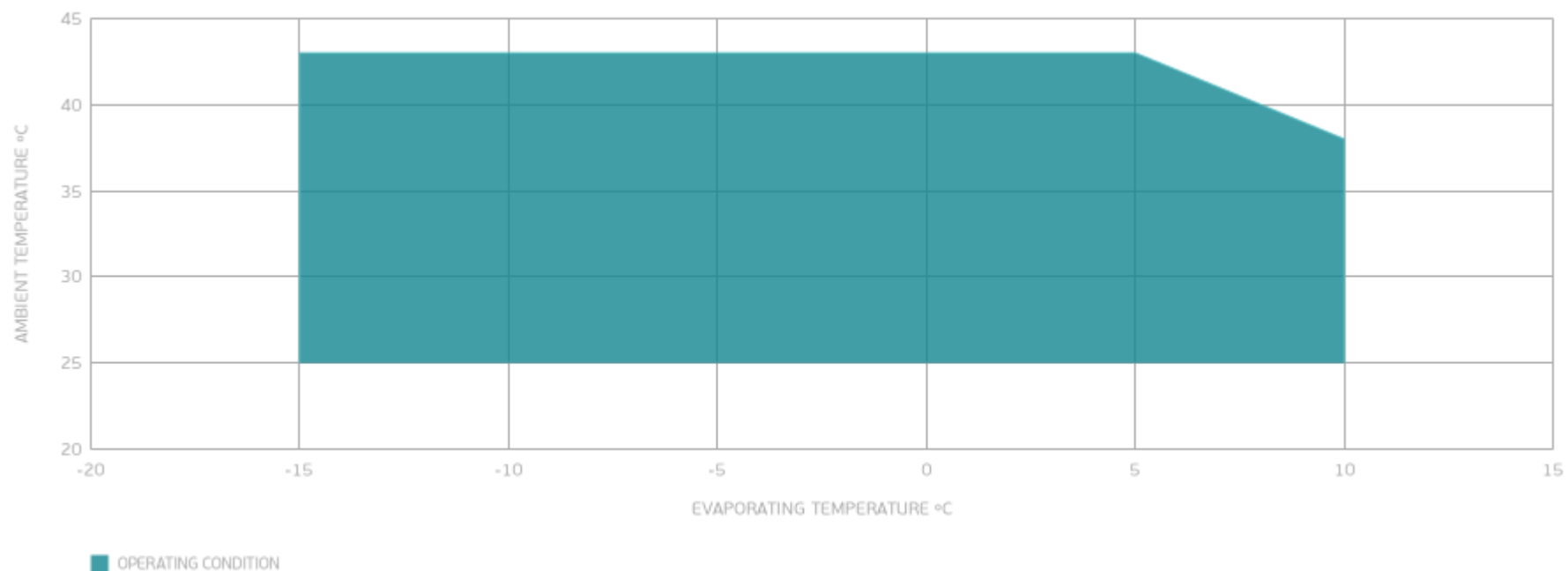
PERFORMANCE CURVE

Ambient Temperature 43°C

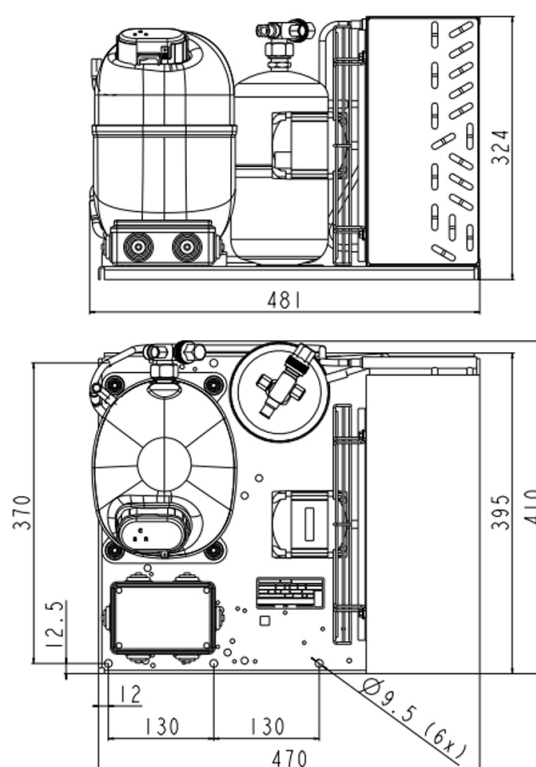
Evaporating Temperature °C	Cooling Capacity W	Efficiency W/W	Consumo de Potencia W
-15	881	1.28	687
-5	1333	1.52	875
0	1587	1.61	984
5	1859	1.69	1102

Test Condition: Subcooling 3 K, Return Gas 20 °C.

ENVELOPE



EXTERNAL DIMENSIONS



WIRING DIAGRAM

