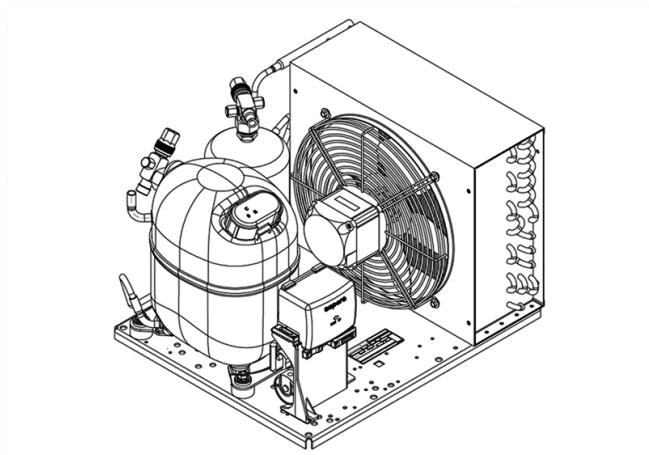


UNJ6220Z



ENGINEERING CODE
644HA5604AA



REFRIGERANT
R-513A



POWER SUPPLY
220-240 V 50 Hz



APPLICATION
HBP



MOTOR TYPE
CSR



STANDARD
EN13215_RG20



COOLING CAPACITY
1303 W



EFFICIENCY
1.61 W/W

CE

ECODESIGN
COMPLIANT

DATA

GENERAL DATA

Model UNJ6220Z

ACCESSORIES

Discharge valve	SOLDER 3/8"	2110049
Suction valve	SOLDER 1/2"	2110050

CONDENSING COMPONENTS

Compressor	NJ6220Z	M/HBP
Condenser	3R12T	2451140
Refrigerant	R-134a	
Expansion Device	C-V	
Fan Blade Diameter	275	
Fankit	34W 275/31/5B	1996583

MECHANICAL DATA

Air Flow	640 m ³ /h
Height	324 mm
Receiver	2.3 L
Shaft Power	34
Weight	37 Kg
Width	410 mm
Length	481 mm

PERFORMANCE

TESTED CONDITIONS

Tested Refrigerant	R-513A
Tested Application	HBP
Tested Standard	EN13215_RG20

RATED POINTS

Ambient Temperature °C	Evaporating Temperature °C	Cooling Capacity W	Efficiency W/W	Consumo de Potencia W
32	-10	1303	1.61	810

Test Condition: Subcooling 3 K, Return Gas 20 °C.

PERFORMANCE CURVE

Ambient Temperature 25°C

Evaporating Temperature °C	Cooling Capacity W	Efficiency W/W	Consumo de Potencia W
-15	1168	1.64	713
-5	1761	2.02	870
0	2104	2.18	965
5	2475	2.31	1069
10	2872	2.43	1182

Test Condition: Subcooling 3 K, Return Gas 20 °C.

PERFORMANCE CURVE

Ambient Temperature 32°C

Evaporating Temperature °C	Cooling Capacity W	Efficiency W/W	Consumo de Potencia W
-15	1045	1.44	728
-5	1588	1.76	903
0	1898	1.89	1005
5	2231	2.00	1116
10	2585	2.10	1234

Test Condition: Subcooling 3 K, Return Gas 20 °C.

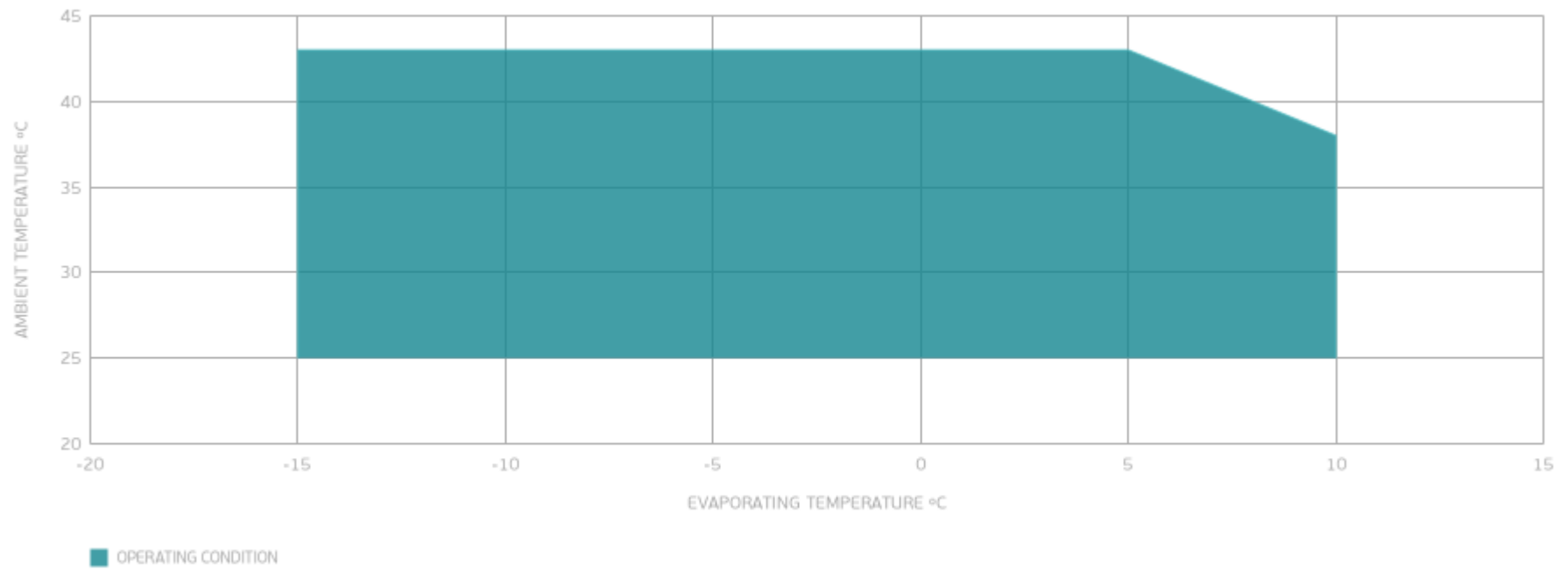
PERFORMANCE CURVE

Ambient Temperature 43°C

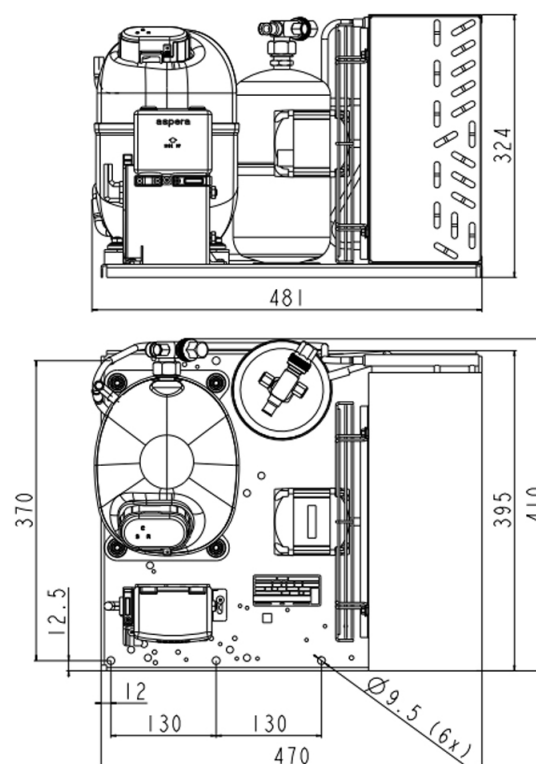
Evaporating Temperature °C	Cooling Capacity W	Efficiency W/W	Consumo de Potencia W
-15	841	1.12	748
-5	1327	1.41	944
0	1597	1.51	1055
5	1881	1.60	1173

Test Condition: Subcooling 3 K, Return Gas 20 °C.

ENVELOPE



EXTERNAL DIMENSIONS



WIRING DIAGRAM

