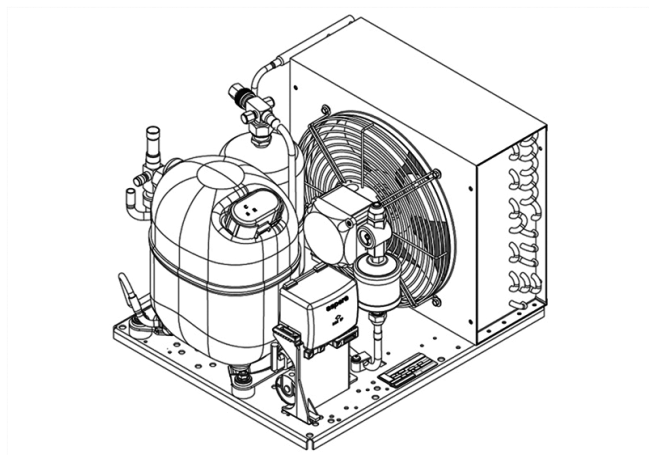


UNJ6226Z



**ENGINEERING CODE**  
642HA5604AA



**REFRIGERANT**  
R-513A



**POWER SUPPLY**  
220-240 V 50 Hz



**APPLICATION**  
HBP



**MOTOR TYPE**  
CSR



**STANDARD**  
EN13215\_RG20



**COOLING CAPACITY**  
1599 W



**EFFICIENCY**  
1.66 W/W

CE

ECODESIGN  
COMPLIANT

DATA

GENERAL DATA

Model UNJ6226Z

ACCESSORIES

Discharge valve	SOLDER 3/8"	2110049
Suction valve	SOLDER 5/8"	2110054

CONDENSING COMPONENTS

Compressor	NJ6226Z	M/HBP
Condenser	3R12T	2451140
Refrigerant	R-134a	
Expansion Device	C-V	
Fan Blade Diameter	275	
Fankit	34W 275/31/5B	1996583

## MECHANICAL DATA

Air Flow	640 m <sup>3</sup> /h
Height	324 mm
Receiver	2.3 L
Shaft Power	34
Weight	37 Kg
Width	410 mm
Length	481 mm

## PERFORMANCE

### TESTED CONDITIONS

Tested Refrigerant	R-513A
Tested Application	HBP
Tested Standard	EN13215_RG20

### RATED POINTS

Ambient Temperature °C	Evaporating Temperature °C	Cooling Capacity W	Efficiency W/W	Consumo de Potencia W
32	-10	1599	1.66	961

Test Condition: Subcooling 3 K, Return Gas 20 °C.

### PERFORMANCE CURVE

Ambient Temperature 25°C

Evaporating Temperature °C	Cooling Capacity W	Efficiency W/W	Consumo de Potencia W
-15	1421	1.71	829
-5	2129	2.02	1052
0	2492	2.10	1189
5	2861	2.13	1341
10	3232	2.14	1507

Test Condition: Subcooling 3 K, Return Gas 20 °C.

### PERFORMANCE CURVE

Ambient Temperature 32°C

Evaporating Temperature °C	Cooling Capacity W	Efficiency W/W	Consumo de Potencia W
-15	1287	1.51	854
-5	1920	1.77	1085
0	2248	1.84	1225
5	2583	1.87	1380
10	2922	1.89	1549

Test Condition: Subcooling 3 K, Return Gas 20 °C.

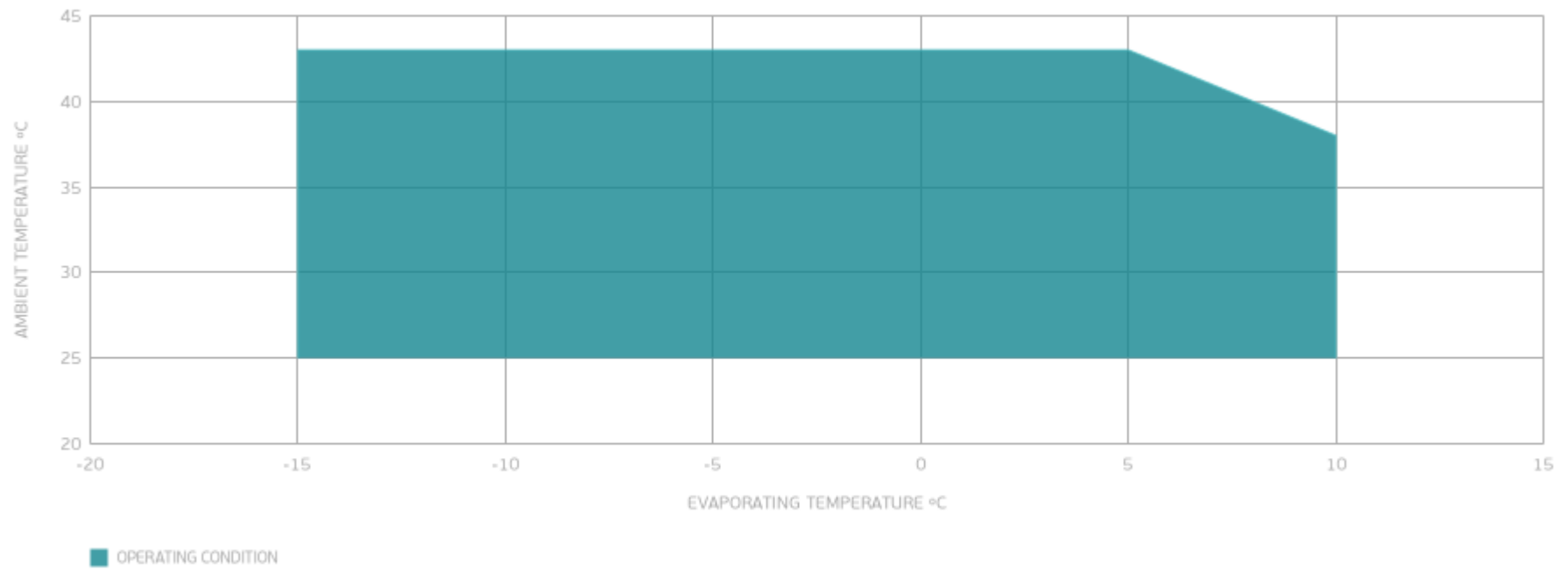
## PERFORMANCE CURVE

Ambient Temperature 43°C

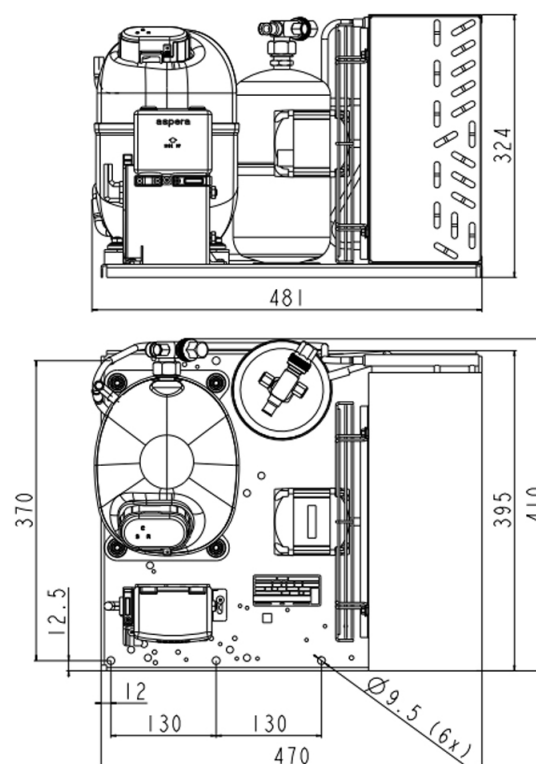
Evaporating Temperature °C	Cooling Capacity W	Efficiency W/W	Consumo de Potencia W
-15	1083	1.22	889
-5	1627	1.41	1156
0	1914	1.46	1314
5	2209	1.49	1486

Test Condition: Subcooling 3 K, Return Gas 20 °C.

## ENVELOPE



## EXTERNAL DIMENSIONS



WIRING DIAGRAM

