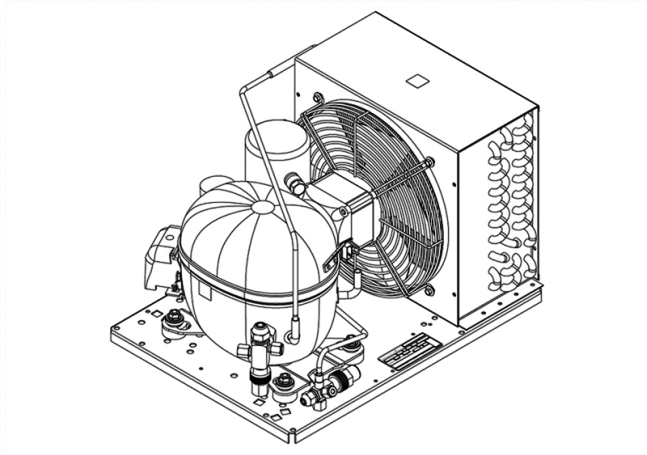


UNT2168GK



ENGINEERING CODE
502DN5212AA



REFRIGERANT
R-404A



POWER SUPPLY
200-240 V 50 Hz
/ 230 V 60 Hz



APPLICATION
LBP



MOTOR TYPE
CSIR



STANDARD
EN13215_RG20

CE

ECODESIGN
COMPLIANT



COOLING CAPACITY
365 W



EFFICIENCY
0.92 W/W

DATA

GENERAL DATA

Model UNT2168GK

ACCESSORIES

Discharge valve	FLARE 1/4"	2110025
Suction valve	FLARE 3/8"	2110056

CONDENSING COMPONENTS

Compressor	NT2168GK	LBP
Condenser	4R11T	2451217
Refrigerant	R-404A	
Expansion Device	C-V	
Fan Blade Diameter	254	
Fankit	16W 254/28/5B	1996579

MECHANICAL DATA

Air Flow	460 m ³ /h
Height	296 mm
Receiver	1.1 L
Shaft Power	16
Weight	26 Kg
Width	340 mm
Length	474 mm

PERFORMANCE

TESTED CONDITIONS

Tested Refrigerant	R-404A
Tested Application	LBP
Tested Standard	EN13215_RG20

RATED POINTS

Ambient Temperature °C	Evaporating Temperature °C	Cooling Capacity W	Efficiency W/W	Consumo de Potencia W
32	-35	365	0.92	398

Test Condition: Subcooling 3 K, Return Gas 20 °C.

PERFORMANCE CURVE

Ambient Temperature 25°C

Evaporating Temperature °C	Cooling Capacity W	Efficiency W/W	Consumo de Potencia W
-40	293	0.90	325
-30	536	1.21	444
-25	700	1.39	503
-20	887	1.57	563
-15	1096	1.75	627
-10	1321	1.90	697

Test Condition: Subcooling 3 K, Return Gas 20 °C.

PERFORMANCE CURVE

Ambient Temperature 32°C

Evaporating Temperature °C	Cooling Capacity W	Efficiency W/W	Consumo de Potencia W
-40	273	0.81	336
-30	486	1.06	458
-25	634	1.22	518
-20	805	1.39	580
-15	995	1.54	647
-10	1203	1.67	719

Test Condition: Subcooling 3 K, Return Gas 20 °C.

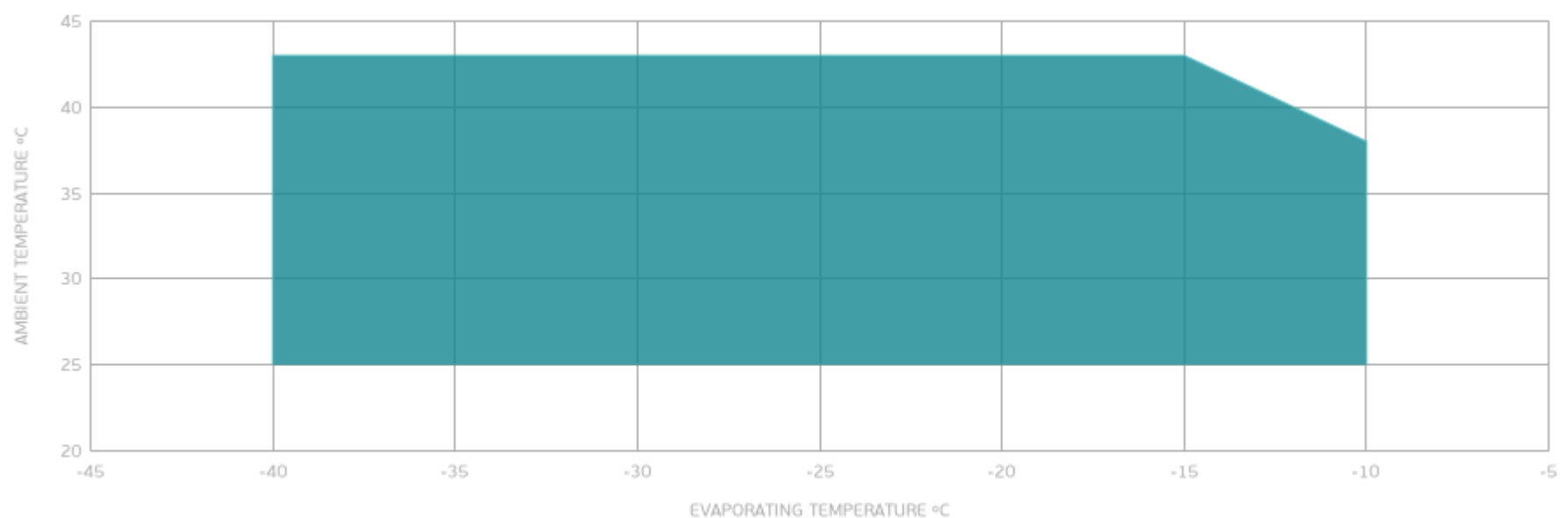
PERFORMANCE CURVE

Ambient Temperature 43°C

Evaporating Temperature °C	Cooling Capacity W	Efficiency W/W	Consumo de Potencia W
-40	209	0.59	357
-30	395	0.81	485
-25	527	0.96	549
-20	681	1.11	616
-15	854	1.24	688

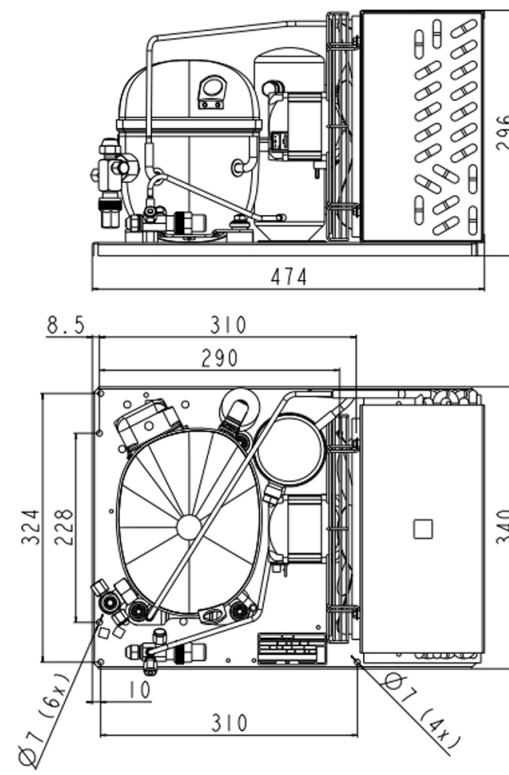
Test Condition: Subcooling 3 K, Return Gas 20 °C.

ENVELOPE



■ OPERATING CONDITION

EXTERNAL DIMENSIONS



WIRING DIAGRAM

