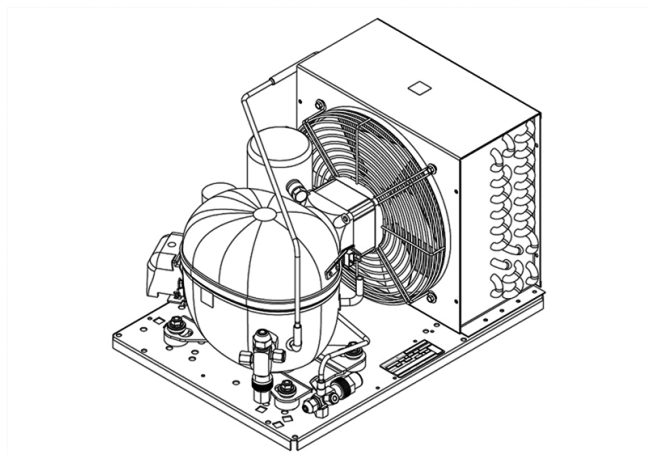


UNT2168GK



**ENGINEERING CODE**  
502DN5212AA

**REFRIGERANT**  
R-452A

**POWER SUPPLY**  
200-240 V 50 Hz  
/ 230 V 60 Hz

**APPLICATION**  
LBP

**MOTOR TYPE**  
CSIR

**STANDARD**  
EN13215\_RG20

**COOLING CAPACITY**  
357 W

**EFFICIENCY**  
0.94 W/W

CE

ECODSIGN  
COMPLIANT

DATA

GENERAL DATA

**Model** UNT2168GK

ACCESSORIES

**Discharge valve** FLARE 1/4" 2110025

**Suction valve** FLARE 3/8" 2110056

CONDENSING COMPONENTS

**Compressor** NT2168GK LBP

**Condenser** 4R11T 2451217

**Refrigerant** R-404A

**Expansion Device** C-V

**Fan Blade Diameter** 254

**Fankit** 16W 254/28/5B 1996579

## MECHANICAL DATA

Air Flow	460 m <sup>3</sup> /h
Height	296 mm
Receiver	1.1 L
Shaft Power	16
Weight	26 Kg
Width	340 mm
Length	474 mm

## PERFORMANCE

### TESTED CONDITIONS

Tested Refrigerant	R-452A
Tested Application	LBP
Tested Standard	EN13215_RG20

### RATED POINTS

Ambient Temperature °C	Evaporating Temperature °C	Cooling Capacity W	Efficiency W/W	Consumo de Potencia W
32	-35	357	0.94	381

Test Condition: Subcooling 3 K, Return Gas 20 °C.

### PERFORMANCE CURVE

Ambient Temperature 25°C

Evaporating Temperature °C	Cooling Capacity W	Efficiency W/W	Consumo de Potencia W
-40	310	0.98	316
-30	514	1.21	426
-25	671	1.39	484
-20	858	1.57	546
-15	1074	1.75	613
-10	1315	1.92	684

Test Condition: Subcooling 3 K, Return Gas 20 °C.

## PERFORMANCE CURVE

Ambient Temperature 32°C

Evaporating Temperature °C	Cooling Capacity W	Efficiency W/W	Consumo de Potencia W
-40	282	0.87	323
-30	468	1.07	440
-25	611	1.22	501
-20	782	1.38	565
-15	978	1.55	633
-10	1196	1.70	705

Test Condition: Subcooling 3 K, Return Gas 20 °C.

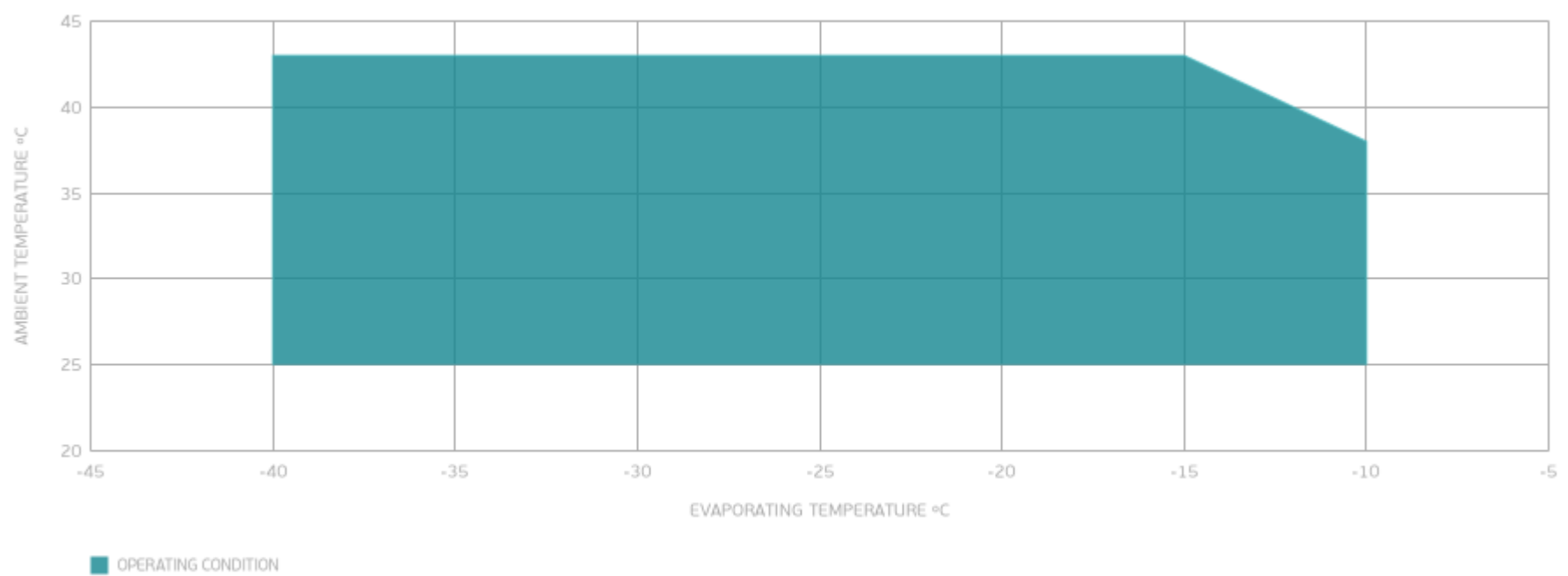
## PERFORMANCE CURVE

Ambient Temperature 43°C

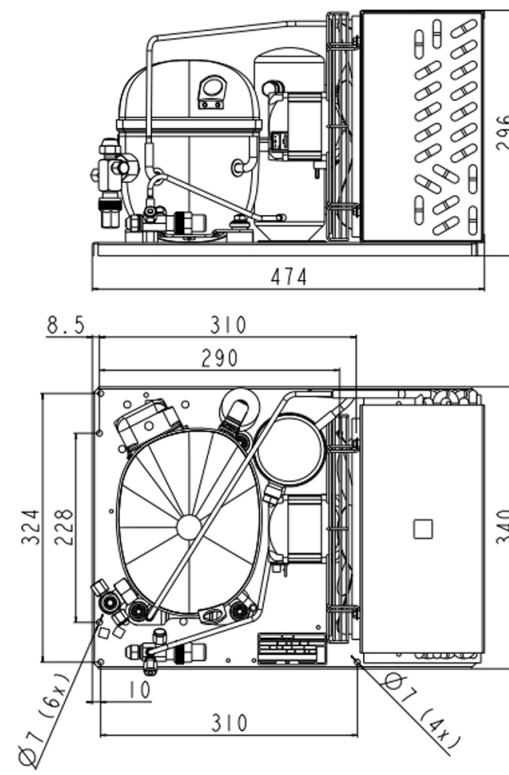
Evaporating Temperature °C	Cooling Capacity W	Efficiency W/W	Consumo de Potencia W
-40	201	0.60	335
-30	377	0.81	464
-25	507	0.96	529
-20	662	1.11	597
-15	836	1.25	667

Test Condition: Subcooling 3 K, Return Gas 20 °C.

## ENVELOPE



## EXTERNAL DIMENSIONS



## WIRING DIAGRAM

