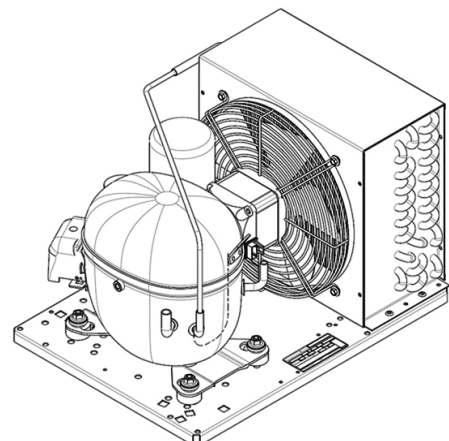


UNT2178GK



ENGINEERING CODE
502EA5212AA



POWER SUPPLY
220-240 V 50 Hz



MOTOR TYPE
CSIR



REFRIGERANT
R-404A



APPLICATION
LBP



STANDARD
EN13215_RG20

CE

ECODESIGN
COMPLIANT



COOLING CAPACITY
453 W



EFFICIENCY
0.95 W/W

DATA

GENERAL DATA

Model UNT2178GK

ACCESSORIES

Discharge valve FLARE 1/4" 2110025

Suction valve FLARE 3/8" 2110056

CONDENSING COMPONENTS

Compressor NT2178GK LBP

Condenser 4R11T 2451217

Refrigerant R-404A

Expansion Device C-V

Fan Blade Diameter 254

Fankit 16W 254/28/5B 1996579

MECHANICAL DATA

Air Flow	460 m ³ /h
Height	296 mm
Receiver	1.2 L
Shaft Power	16
Weight	27 Kg
Width	340 mm
Length	474 mm

PERFORMANCE

TESTED CONDITIONS

Tested Refrigerant	R-404A
Tested Application	LBP
Tested Standard	EN13215_RG20

RATED POINTS

Ambient Temperature °C	Evaporating Temperature °C	Cooling Capacity W	Efficiency W/W	Consumo de Potencia W
32	-35	453	0.95	477

Test Condition: Subcooling 3 K, Return Gas 20 °C.

PERFORMANCE CURVE

Ambient Temperature 25°C

Evaporating Temperature °C	Cooling Capacity W	Efficiency W/W	Consumo de Potencia W
-40	398	0.95	418
-30	671	1.24	542
-25	840	1.37	613
-20	1031	1.49	690
-15	1245	1.61	774
-10	1480	1.71	864

Test Condition: Subcooling 3 K, Return Gas 20 °C.

PERFORMANCE CURVE

Ambient Temperature 32°C

Evaporating Temperature °C	Cooling Capacity W	Efficiency W/W	Consumo de Potencia W
-40	339	0.82	413
-30	587	1.07	548
-25	740	1.18	626
-20	915	1.29	711
-15	1109	1.38	804
-10	1323	1.46	903

Test Condition: Subcooling 3 K, Return Gas 20 °C.

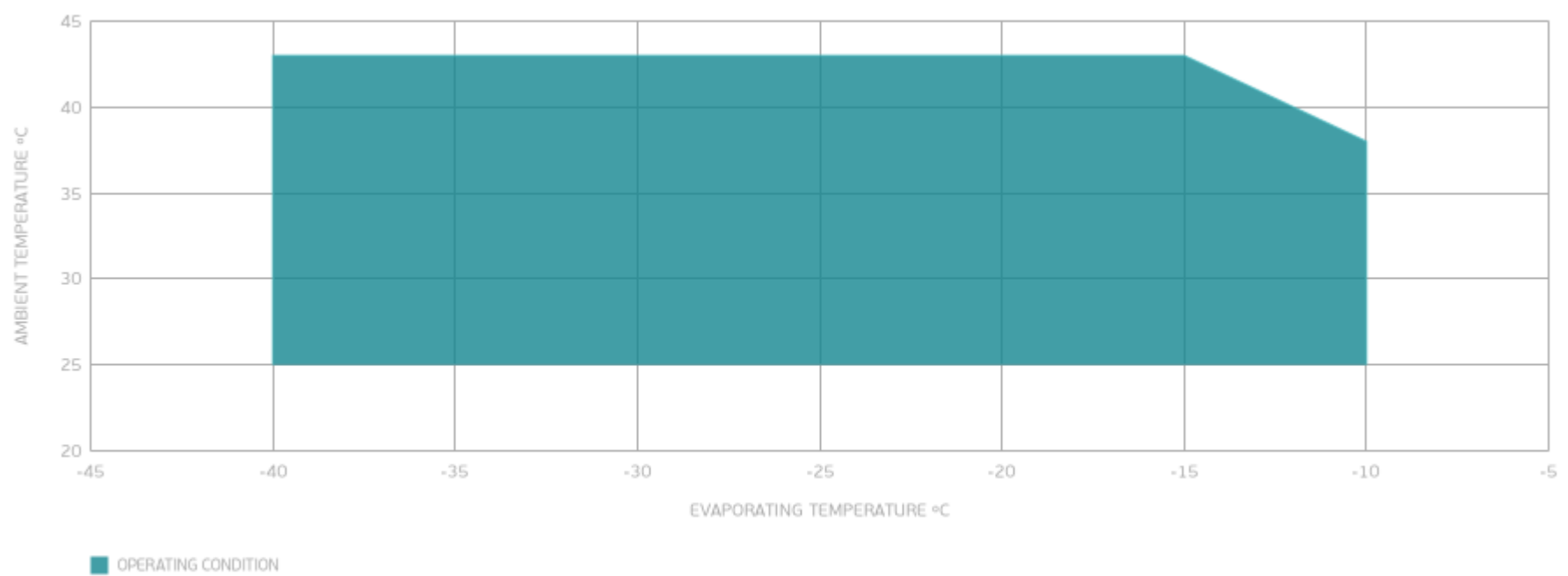
PERFORMANCE CURVE

Ambient Temperature 43°C

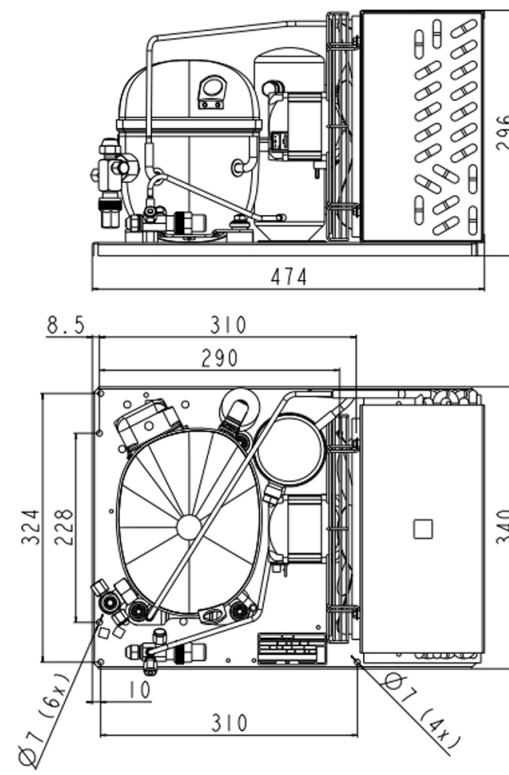
Evaporating Temperature °C	Cooling Capacity W	Efficiency W/W	Consumo de Potencia W
-40	234	0.57	409
-30	426	0.76	563
-25	547	0.84	653
-20	686	0.91	752
-15	842	0.98	860

Test Condition: Subcooling 3 K, Return Gas 20 °C.

ENVELOPE



EXTERNAL DIMENSIONS



WIRING DIAGRAM

