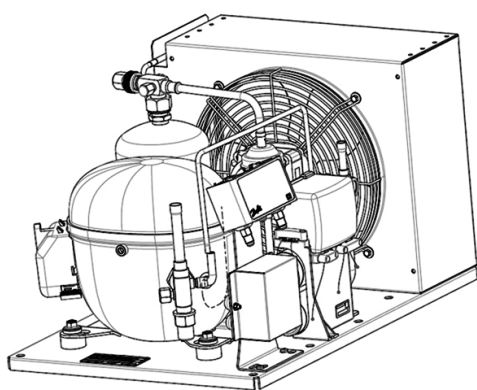


UNT2212GK



**ENGINEERING CODE**  
505DA5604AA



**REFRIGERANT**  
R-404A



**POWER SUPPLY**  
220-240 V 50 Hz



**APPLICATION**  
LBP



**MOTOR TYPE**  
CSR



**STANDARD**  
EN13215\_RG20

CE

ECODESIGN  
COMPLIANT



**COOLING CAPACITY**  
821 W



**EFFICIENCY**  
1.07 W/W

DATA

GENERAL DATA

**Model** UNT2212GK

ACCESSORIES

cover	DOG HOUSE	1957003
Discharge valve	SOLDER 3/8"	2110049
Suction valve	SOLDER 1/2"	2110050

CONDENSING COMPONENTS

Compressor	NT2212GK	LBP
Condenser	3R12T	2451140
Refrigerant	R-404A	
Expansion Device	C-V	
Fan Blade Diameter	275	
Fankit	34W 275/31/5B	1996583

## MECHANICAL DATA

Air Flow	800 m <sup>3</sup> /h
Height	324 mm
Receiver	2.3 L
Shaft Power	34
Weight	34 Kg
Width	395 mm
Length	494 mm

## PERFORMANCE

### TESTED CONDITIONS

Tested Refrigerant	R-404A
Tested Application	LBP
Tested Standard	EN13215_RG20

### RATED POINTS

Ambient Temperature °C	Evaporating Temperature °C	Cooling Capacity W	Efficiency W/W	Consumo de Potencia W
32	-35	821	1.07	767

Test Condition: Subcooling 3 K, Return Gas 20 °C.

### PERFORMANCE CURVE

Ambient Temperature 25°C

Evaporating Temperature °C	Cooling Capacity W	Efficiency W/W	Consumo de Potencia W
-40	728	1.15	636
-30	1128	1.33	851
-25	1386	1.44	965
-20	1672	1.53	1090
-15	1978	1.61	1229
-10	2297	1.66	1388

Test Condition: Subcooling 3 K, Return Gas 20 °C.

## PERFORMANCE CURVE

Ambient Temperature 32°C

Evaporating Temperature °C	Cooling Capacity W	Efficiency W/W	Consumo de Potencia W
-40	654	0.99	661
-30	1027	1.17	877
-25	1264	1.27	993
-20	1525	1.36	1122
-15	1801	1.42	1266
-10	2085	1.46	1432

Test Condition: Subcooling 3 K, Return Gas 20 °C.

## PERFORMANCE CURVE

Ambient Temperature 43°C

Evaporating Temperature °C	Cooling Capacity W	Efficiency W/W	Consumo de Potencia W
-40	509	0.76	665
-30	848	0.94	900
-25	1057	1.03	1029
-20	1283	1.09	1173
-15	1516	1.14	1335

Test Condition: Subcooling 3 K, Return Gas 20 °C.

## ENVELOPE

