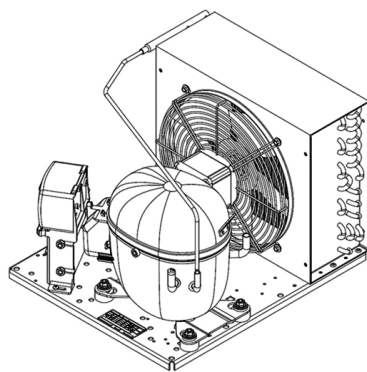


UNT6217GK



ENGINEERING CODE
604AA5212AA



REFRIGERANT
R-404A



POWER SUPPLY
220-240 V 50 Hz



APPLICATION
HBP



MOTOR TYPE
CSIR



STANDARD
EN13215_RG20

CE

✓ ECODSIGN
COMPLIANT



COOLING CAPACITY
1056 W



EFFICIENCY
1.68 W/W

DATA

GENERAL DATA

Model UNT6217GK

ACCESSORIES

Discharge valve FLARE 3/8" 2110056

Suction valve FLARE 1/2" 2110057

CONDENSING COMPONENTS

Compressor NT6217GK M/HBP

Condenser 3R12T 2451218

Refrigerant R-404A

Expansion Device C-V

Fan Blade Diameter 275

Fankit 34W 275/31/5B 1996588

MECHANICAL DATA

| | |
|-------------|-----------------------|
| Air Flow | 640 m ³ /h |
| Height | 324 mm |
| Receiver | 2.3 L |
| Shaft Power | 34 |
| Weight | 31 Kg |
| Width | 395 mm |
| Length | 494 mm |

PERFORMANCE

TESTED CONDITIONS

| | |
|--------------------|--------------|
| Tested Refrigerant | R-404A |
| Tested Application | HBP |
| Tested Standard | EN13215_RG20 |

RATED POINTS

| Ambient Temperature °C | Evaporating Temperature °C | Cooling Capacity W | Efficiency W/W | Consumo de Potencia W |
|------------------------|----------------------------|--------------------|----------------|-----------------------|
| 32 | -10 | 1056 | 1.68 | 630 |

Test Condition: Subcooling 3 K, Return Gas 20 °C.

PERFORMANCE CURVE

Ambient Temperature 25°C

| Evaporating Temperature °C | Cooling Capacity W | Efficiency W/W | Consumo de Potencia W |
|----------------------------|--------------------|----------------|-----------------------|
| -20 | 769 | 1.48 | 521 |
| -15 | 951 | 1.69 | 564 |
| -5 | 1394 | 2.11 | 660 |
| 0 | 1642 | 2.32 | 709 |
| 5 | 1900 | 2.51 | 756 |
| 10 | 2162 | 2.70 | 800 |

Test Condition: Subcooling 3 K, Return Gas 20 °C.

PERFORMANCE CURVE

Ambient Temperature 32°C

| Evaporating Temperature °C | Cooling Capacity W | Efficiency W/W | Consumo de Potencia W |
|----------------------------|--------------------|----------------|-----------------------|
| -20 | 698 | 1.30 | 537 |
| -15 | 864 | 1.49 | 582 |
| -5 | 1268 | 1.86 | 680 |
| 0 | 1494 | 2.04 | 731 |
| 5 | 1728 | 2.22 | 780 |
| 10 | 1965 | 2.38 | 825 |

Test Condition: Subcooling 3 K, Return Gas 20 °C.

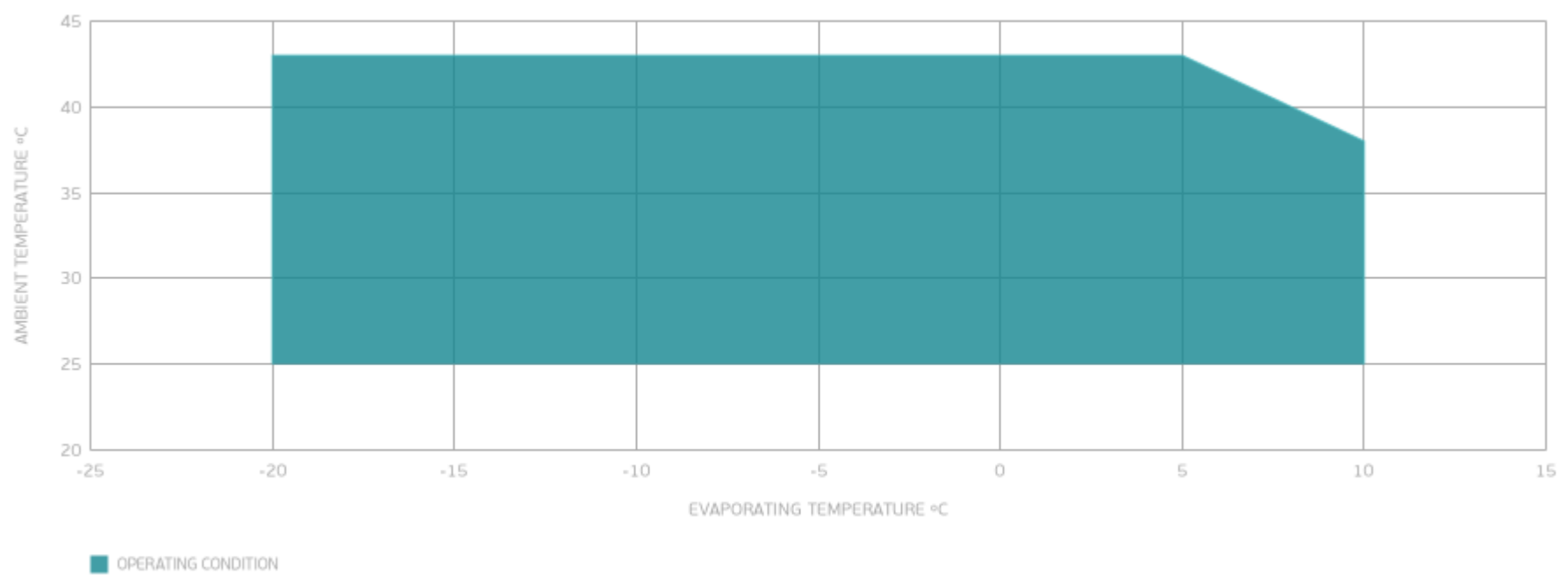
PERFORMANCE CURVE

Ambient Temperature 43°C

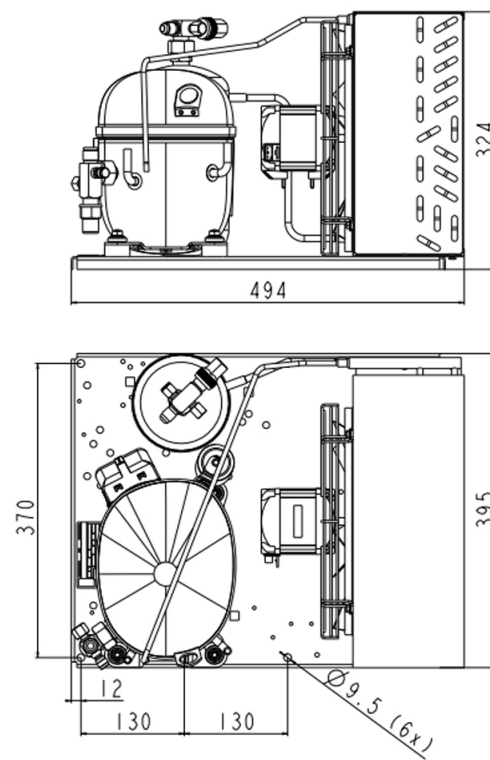
| Evaporating Temperature °C | Cooling Capacity W | Efficiency W/W | Consumo de Potencia W |
|----------------------------|--------------------|----------------|-----------------------|
| -20 | 591 | 1.08 | 545 |
| -15 | 741 | 1.24 | 599 |
| -5 | 1106 | 1.54 | 717 |
| 0 | 1308 | 1.68 | 778 |
| 5 | 1516 | 1.81 | 837 |

Test Condition: Subcooling 3 K, Return Gas 20 °C.

ENVELOPE



EXTERNAL DIMENSIONS



WIRING DIAGRAM

