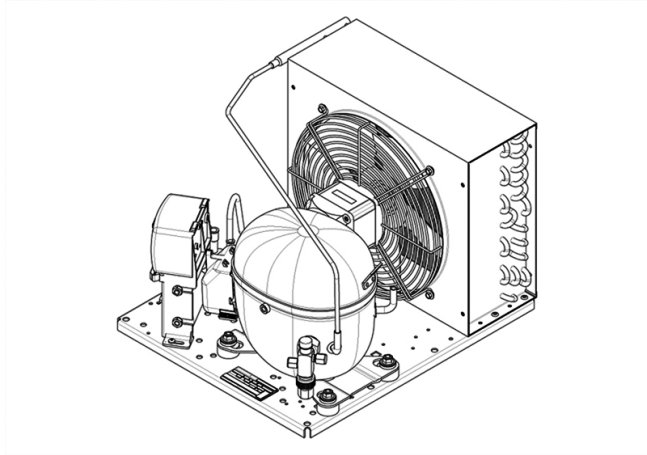


UNT6222GK



ENGINEERING CODE
602CA5604AA



POWER SUPPLY
220-240 V 50 Hz



MOTOR TYPE
CSR



REFRIGERANT
R-404A



APPLICATION
HBP



STANDARD
EN13215_RG20



COOLING CAPACITY
1461 W



EFFICIENCY
1.69 W/W

CE

✓ ECODSIGN COMPLIANT

DATA

GENERAL DATA

Model UNT6222GK

ACCESSORIES

Discharge valve	SOLDER 3/8"	2110049
Suction valve	SOLDER 1/2"	2110050

CONDENSING COMPONENTS

Compressor	NT6222GK	M/HBP
Condenser	3R12T	2451140
Refrigerant	R-404A	
Expansion Device	C-V	
Fan Blade Diameter	275	
Fankit	34W 275/31/5B	1996583

MECHANICAL DATA

Air Flow	640 m ³ /h
Height	324 mm
Receiver	2.3 L
Shaft Power	34
Weight	33 Kg
Width	395 mm
Length	494 mm

PERFORMANCE

TESTED CONDITIONS

Tested Refrigerant	R-404A
Tested Application	HBP
Tested Standard	EN13215_RG20

RATED POINTS

Ambient Temperature °C	Evaporating Temperature °C	Cooling Capacity W	Efficiency W/W	Consumo de Potencia W
32	-10	1461	1.69	864

Test Condition: Subcooling 3 K, Return Gas 20 °C.

PERFORMANCE CURVE

Ambient Temperature 25°C

Evaporating Temperature °C	Cooling Capacity W	Efficiency W/W	Consumo de Potencia W
-20	1091	1.57	696
-15	1333	1.74	766
-5	1901	2.07	916
0	2214	2.22	995
5	2537	2.36	1074
10	2864	2.48	1153

Test Condition: Subcooling 3 K, Return Gas 20 °C.

PERFORMANCE CURVE

Ambient Temperature 32°C

Evaporating Temperature °C	Cooling Capacity W	Efficiency W/W	Consumo de Potencia W
-20	990	1.38	719
-15	1212	1.54	789
-5	1731	1.84	943
0	2015	1.97	1025
5	2307	2.08	1107
10	2601	2.19	1190

Test Condition: Subcooling 3 K, Return Gas 20 °C.

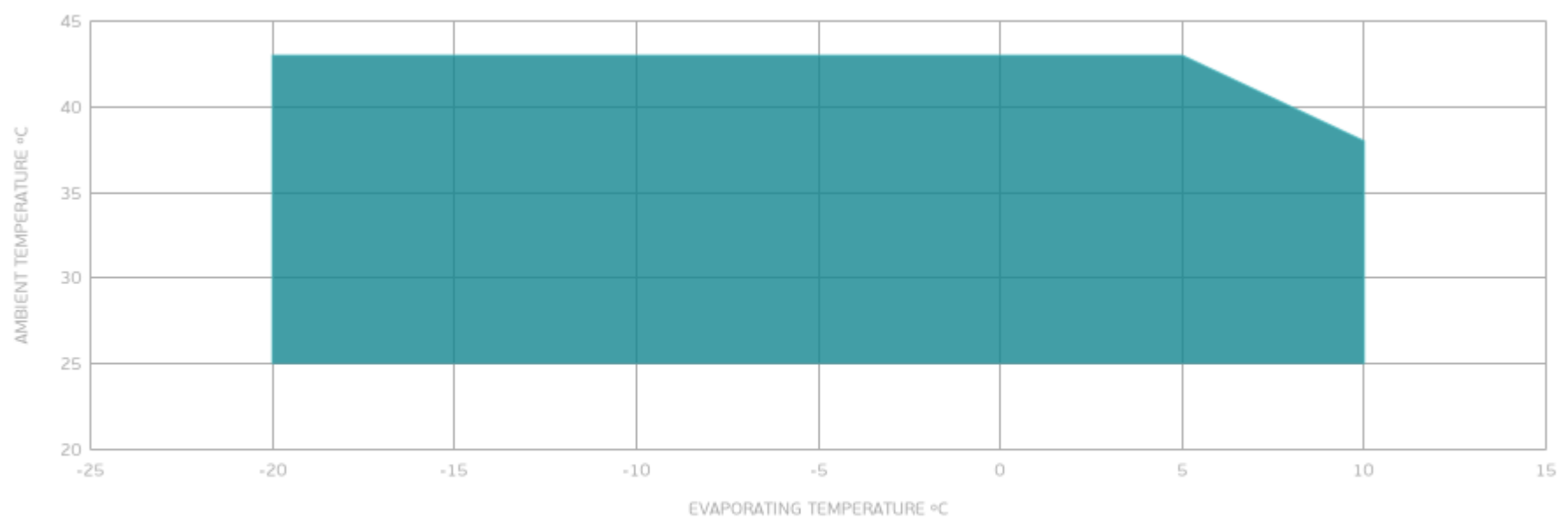
PERFORMANCE CURVE

Ambient Temperature 43°C

Evaporating Temperature °C	Cooling Capacity W	Efficiency W/W	Consumo de Potencia W
-20	774	1.06	731
-15	973	1.20	810
-5	1431	1.45	985
0	1679	1.56	1078
5	1930	1.64	1173

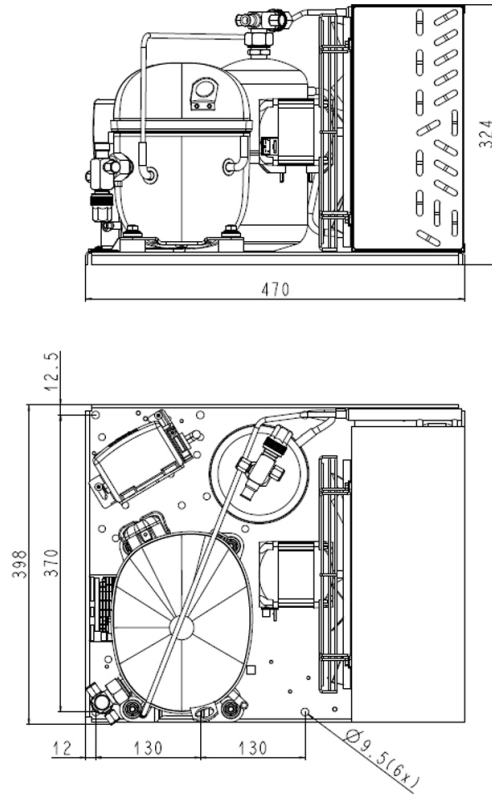
Test Condition: Subcooling 3 K, Return Gas 20 °C.

ENVELOPE



■ OPERATING CONDITION

EXTERNAL DIMENSIONS



WIRING DIAGRAM

