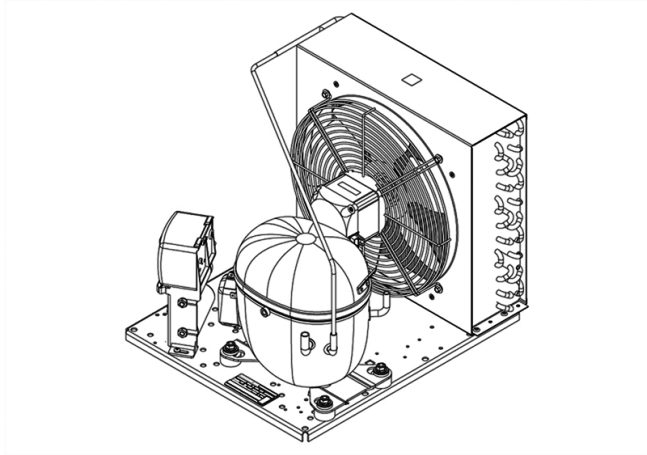


UNT6226GK



**ENGINEERING CODE**  
603BA5604AA



**POWER SUPPLY**  
220-240 V 50 Hz



**MOTOR TYPE**  
CSR



**REFRIGERANT**  
R-404A



**APPLICATION**  
HBP



**STANDARD**  
EN13215\_RG20



**COOLING CAPACITY**  
1885 W



**EFFICIENCY**  
1.79 W/W

CE

✓ ECODSIGN COMPLIANT

DATA

GENERAL DATA

**Model** UNT6226GK

ACCESSORIES

<b>Discharge valve</b>	SOLDER 3/8"	2110049
<b>Suction valve</b>	SOLDER 1/2"	2110050

CONDENSING COMPONENTS

<b>Compressor</b>	NT6226GK	M/HBP
<b>Condenser</b>	3R14T	2451221
<b>Refrigerant</b>	R-404A	
<b>Expansion Device</b>	C-V	
<b>Fan Blade Diameter</b>	300	
<b>Fankit</b>	34W 300/28/5B	1996585

## MECHANICAL DATA

Air Flow	700 m <sup>3</sup> /h
Height	372 mm
Receiver	2.3 L
Shaft Power	34
Weight	35 Kg
Width	405 mm
Length	485 mm

## PERFORMANCE

### TESTED CONDITIONS

Tested Refrigerant	R-404A
Tested Application	HBP
Tested Standard	EN13215_RG20

### RATED POINTS

Ambient Temperature °C	Evaporating Temperature °C	Cooling Capacity W	Efficiency W/W	Consumo de Potencia W
32	-10	1885	1.79	1056

Test Condition: Subcooling 3 K, Return Gas 20 °C.

### PERFORMANCE CURVE

Ambient Temperature 25°C

Evaporating Temperature °C	Cooling Capacity W	Efficiency W/W	Consumo de Potencia W
-20	1457	1.74	839
-15	1762	1.91	921
-5	2490	2.24	1112
0	2889	2.37	1218
5	3296	2.48	1331
10	3698	2.55	1448

Test Condition: Subcooling 3 K, Return Gas 20 °C.

## PERFORMANCE CURVE

Ambient Temperature 32°C

Evaporating Temperature °C	Cooling Capacity W	Efficiency W/W	Consumo de Potencia W
-20	1289	1.48	871
-15	1567	1.64	959
-5	2231	1.92	1162
0	2592	2.03	1276
5	2958	2.12	1395
10	3315	2.18	1520

Test Condition: Subcooling 3 K, Return Gas 20 °C.

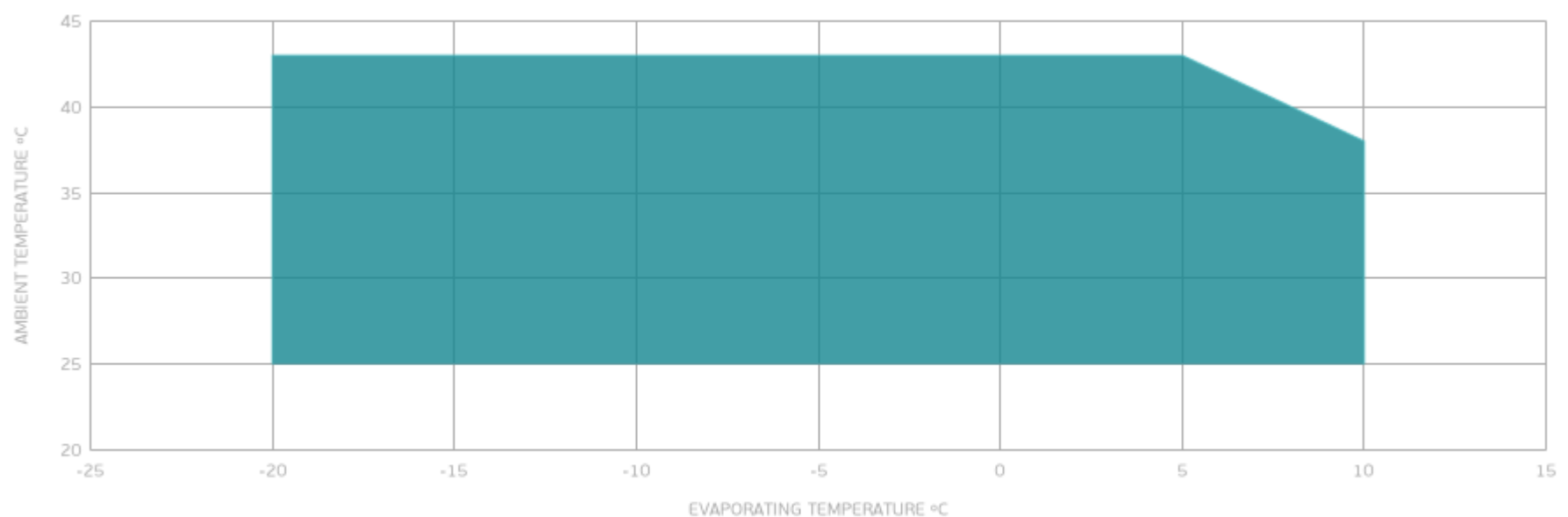
## PERFORMANCE CURVE

Ambient Temperature 43°C

Evaporating Temperature °C	Cooling Capacity W	Efficiency W/W	Consumo de Potencia W
-20	1034	1.15	903
-15	1269	1.26	1006
-5	1827	1.47	1241
0	2127	1.55	1371
5	2426	1.61	1507

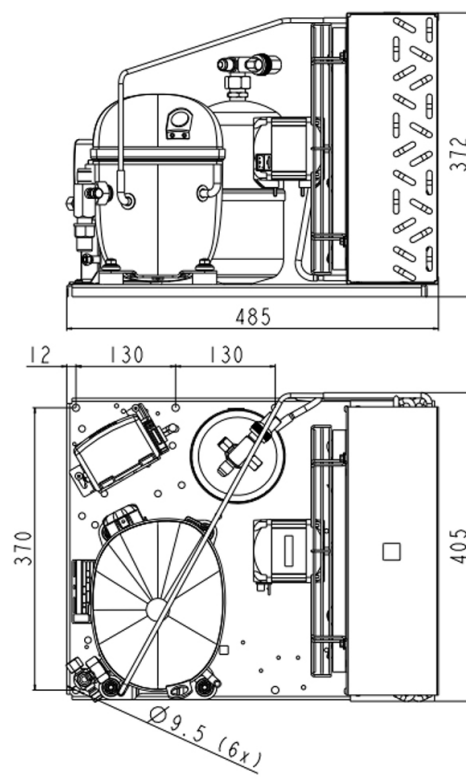
Test Condition: Subcooling 3 K, Return Gas 20 °C.

## ENVELOPE



■ OPERATING CONDITION

## EXTERNAL DIMENSIONS



## WIRING DIAGRAM

