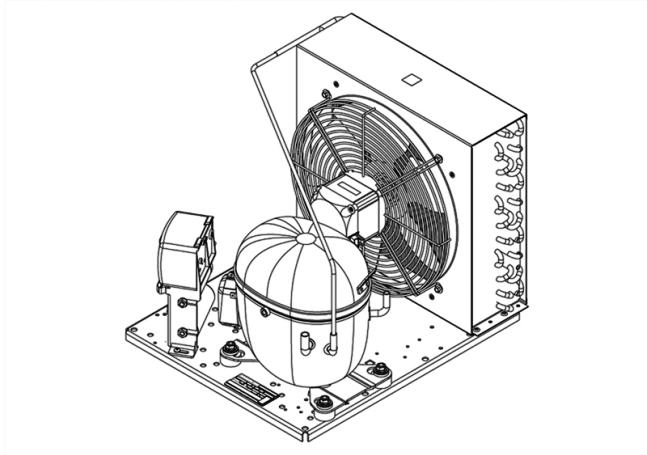


UNT6226GK



**ENGINEERING CODE**  
603BA5604AA



**POWER SUPPLY**  
220-240 V 50 Hz



**MOTOR TYPE**  
CSR



**REFRIGERANT**  
R-449A



**APPLICATION**  
HBP



**STANDARD**  
EN13215\_RG20

CE

✓ ECODSIGN COMPLIANT



**COOLING CAPACITY**  
1710 W



**EFFICIENCY**  
1.76 W/W

DATA

GENERAL DATA

Model UNT6226GK

ACCESSORIES

Discharge valve	SOLDER 3/8"	2110049
Suction valve	SOLDER 1/2"	2110050

CONDENSING COMPONENTS

Compressor	NT6226GK	M/HBP
Condenser	3R14T	2451221
Refrigerant	R-404A	
Expansion Device	C-V	
Fan Blade Diameter	300	
Fankit	34W 300/28/5B	1996585

## MECHANICAL DATA

Air Flow	700 m <sup>3</sup> /h
Height	372 mm
Receiver	2.3 L
Shaft Power	34
Weight	35 Kg
Width	405 mm
Length	485 mm

## PERFORMANCE

### TESTED CONDITIONS

Tested Refrigerant	R-449A
Tested Application	HBP
Tested Standard	EN13215_RG20

### RATED POINTS

Ambient Temperature °C	Evaporating Temperature °C	Cooling Capacity W	Efficiency W/W	Consumo de Potencia W
32	-10	1710	1.76	969

Test Condition: Subcooling 3 K, Return Gas 20 °C.

### PERFORMANCE CURVE

Ambient Temperature 25°C

Evaporating Temperature °C	Cooling Capacity W	Efficiency W/W	Consumo de Potencia W
-20	1203	1.57	764
-15	1519	1.80	844
-5	2280	2.24	1020
0	2711	2.42	1119
5	3166	2.58	1227
10	3638	2.70	1347

Test Condition: Subcooling 3 K, Return Gas 20 °C.

## PERFORMANCE CURVE

Ambient Temperature 32°C

Evaporating Temperature °C	Cooling Capacity W	Efficiency W/W	Consumo de Potencia W
-20	1091	1.38	790
-15	1380	1.57	877
-5	2074	1.94	1068
0	2465	2.10	1175
5	2874	2.22	1293
10	3296	2.32	1422

Test Condition: Subcooling 3 K, Return Gas 20 °C.

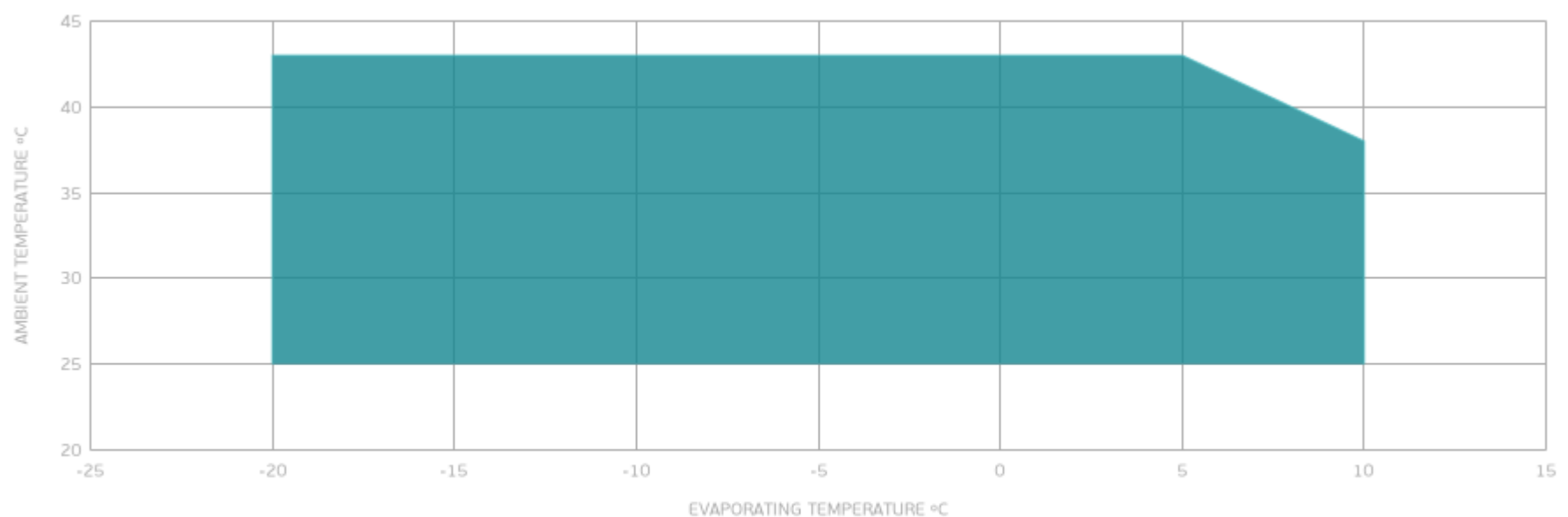
## PERFORMANCE CURVE

Ambient Temperature 43°C

Evaporating Temperature °C	Cooling Capacity W	Efficiency W/W	Consumo de Potencia W
-20	897	1.10	813
-15	1142	1.25	917
-5	1724	1.51	1142
0	2047	1.61	1268
5	2381	1.70	1403

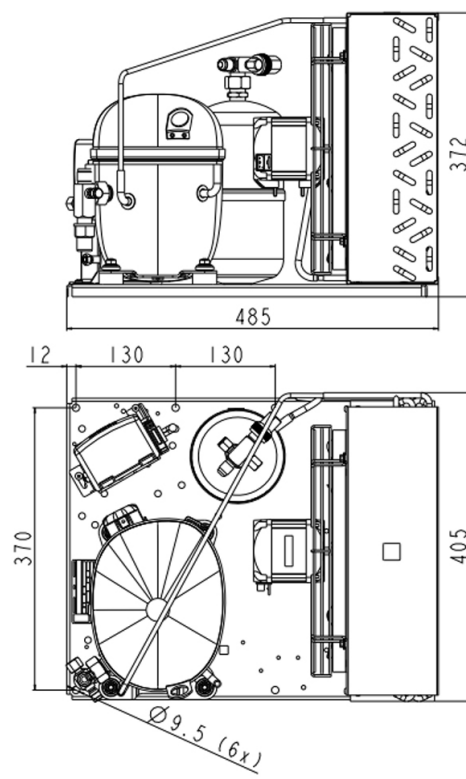
Test Condition: Subcooling 3 K, Return Gas 20 °C.

## ENVELOPE



■ OPERATING CONDITION

## EXTERNAL DIMENSIONS



## WIRING DIAGRAM

