



APPROVALS



ENGINEERING CODE
872HA67

APPROVED REFRIGERANT
R-290

POWER SUPPLY
220-240 V 50 Hz

STANDARD CONDITIONS
EN12900

APPLICATION
MBP

COOLING CAPACITY
336 W (MBP)

EFFICIENCY
1.96 W/W (MBP)

MOTOR TYPE
CSIR

STARTING TORQUE
HST

DATA

General Data

Type	Hermetic reciprocating
Technology Type	On-Off
Displacement	4.5 cm ³
Compressor Cooling	Static/NotControlled/220
Expansion Device	Capillary Tube or Expansion Valve
Horse Power	1/4 hp
Power Supply	220-240 V 50 Hz
Evaporating Temperature Range	-20 °C to 10 °C

Electrical Data

Motor type	CSIR
Starting Torque	HST

Mechanical Data

Oil Charge	180 ml
Oil Type Configuration	ESTER
Oil Type Viscosity	ISO22
Weight	7.8 Kg

Electrical Components

	Description
Starting Device	Relay MTRP-0015*
Start Capacitor	43-53 Uf / 330 V
Motor Protection	T0765/G6

External Characteristics

Tray Holder	Yes	
Connector	Internal Diameter	Shape
Suction	6.1 mm	Slanted 42°/Copper
Discharge	4.94 mm	Straight/Copper
Process	6.1 mm	Slanted 42°/Copper

PERFORMANCE

Rated Points

Condensing Temperature	Evaporating Temperature	Cooling Capacity	Power Consumption	Gas Flow Rate	Efficiency
45.00°C	-10.00°C	336 W	171 W	4.13 kg/h	1.96 W/W

Test Condition: EN12900MBP, Static/NotControlled/220, Return Gas 20°C, Evaporation -10.00°C, Condensing 45.00°C, Ambient 35°C, Liquid 45°C, Subcooling OK. Data are an indication of performance based simulation.

Performance Curve Data

Condensing Temperature 35°C

Evaporating Temperature °C	Cooling Capacity W	Power W	Gas Flow Rate kg/h	Efficiency W/W
-20	258	138	2.86	1.87
-15	318	146	3.54	2.18
-10	388	154	4.35	2.53
-5	471	160	5.30	2.94
0	565	166	6.42	3.41
5	673	169	7.70	3.97
10	794	172	9.18	4.62

Test Condition: EN12900MBP, Static/NotControlled/220, Return Gas 20°C, Ambient 35°C, Subcooling OK. Data are an indication of performance based simulation.

Condensing Temperature 45°C

Evaporating Temperature °C	Cooling Capacity W	Power W	Gas Flow Rate kg/h	Efficiency W/W
-20	223	149	2.71	1.5
-15	274	160	3.36	1.71
-10	336	171	4.13	1.96
-5	408	181	5.05	2.25
0	491	191	6.13	2.57
5	585	200	7.38	2.93
10	692	207	8.83	3.34

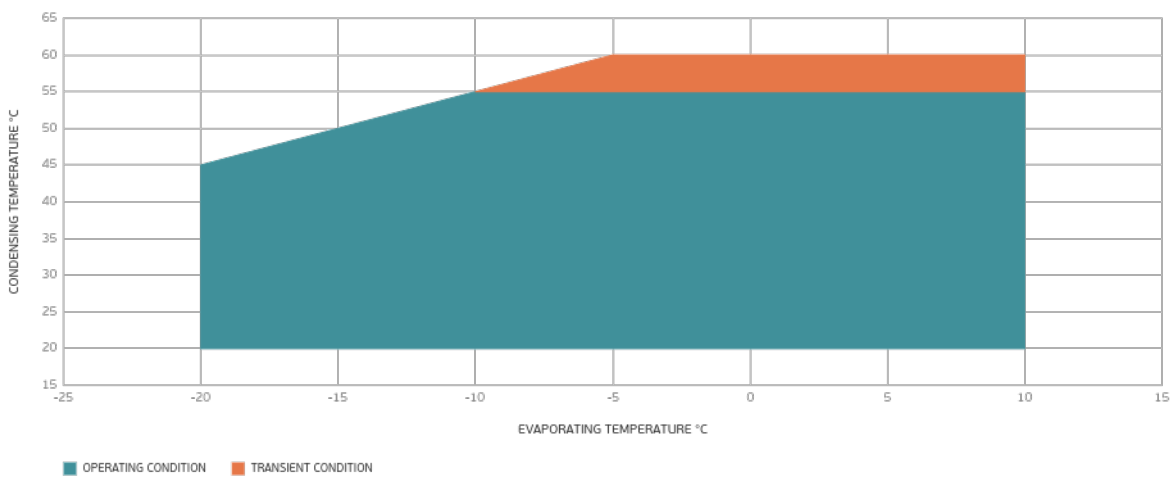
Test Condition: EN12900MBP, Static/NotControlled/220, Return Gas 20°C, Ambient 35°C , Subcooling OK. Data are an indication of performance based simulation.

Condensing Temperature 55°C

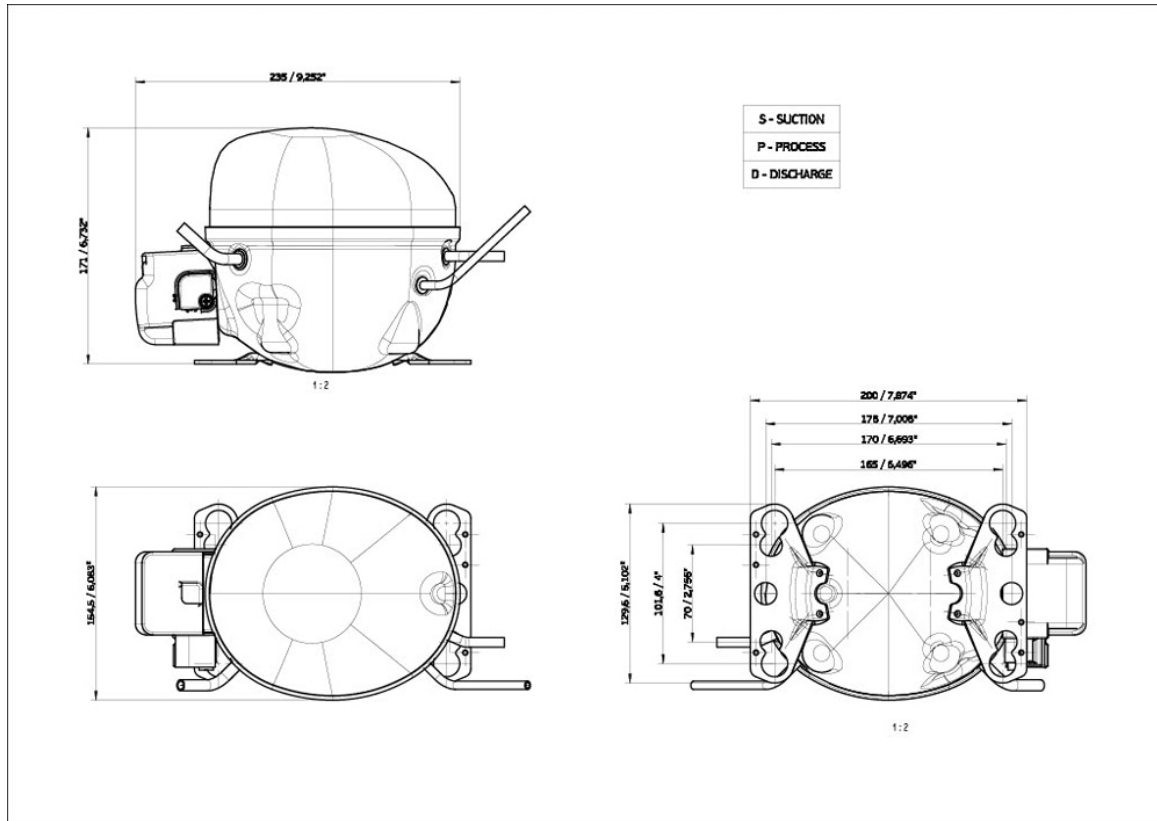
Evaporating Temperature °C	Cooling Capacity W	Power W	Gas Flow Rate kg/h	Efficiency W/W
-20	189	160	2.56	1.18
-15	232	173	3.17	1.34
-10	284	187	3.90	1.51
-5	345	201	4.77	1.71
0	416	215	5.81	1.94
5	497	228	7.02	2.18
10	590	240	8.43	2.46

Test Condition: EN12900MBP, Static/NotControlled/220, Return Gas 20°C, Ambient 35°C , Subcooling OK. Data are an indication of performance based simulation.

Operating Envelope



External Dimensions



Wiring Diagram

SM28-4

