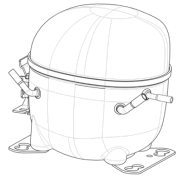


220-240V 50Hz 1~**GENERAL DATA****Application:** MBP**Refrigerant:** R290**Evaporating Temperature Range:** -20°C to 10°C**Compressor Cooling:** Fan**Fan air flow:** 520 m³/h**Maximum Condensing Pressure - Operating:** 18.07 bar**Maximum Condensing Pressure - Peak:** 20.16 bar**Type:** Hermetic reciprocating**Technology Type:** On-Off**Expansion Device:** Capillary Tube or Expansion Valve**Packing Quantity:** Single - 1 pc**Displacement:** 8.77 cm³**Horse power:** 1/3 hpApprovals:   **MECHANICAL DATA****Bore:** 26.5 mm**Stroke:** 15.92 mm**Oil Charge:** 350ml +/-15ml**Free Internal Volume:** 2.1 cm³**Maximum Recommended Refrigerant Charge:** 150 g**Oil Type Configuration:** Polyolester**Oil Type Viscosity:** ISO22**Compressor pressurization:** Without dry air charge**Weight:** 10.8 kg**ELECTRICAL DATA****Motor Type:** CSIR**Starting Torque:** HST**Voltage working range at 50 Hz:** 198-254 V**Maximum Motor Temperature:** 130 °C**Start Winding Resistance:** 34.8 Ω (± 10%) at 25°C**Run Winding Resistance:** 5.26 Ω (± 10%) at 25°C**Locked Rotor Amperage (RLA):** 17 A**MOUNTING ACCESSORIES**

| | Description | Code |
|------------------------------------|-------------|---------|
| Anchorage: | no | - |
| Capacitor Bracket: | no | - |
| Washer: | no | - |
| Pin: | no | - |
| Clip: | no | - |
| Rotolock valve: | no | - |
| Cover: | yes | 2075282 |
| Grommets: | yes | 2221011 |
| Sleeves: | yes | 2222018 |
| Terminal Board: | yes | 1027060 |
| Overload Protector Bracket: | yes | 2075299 |

ELECTRICAL COMPONENTS

| | Component type | Description | Code |
|--------------------------|----------------|----------------|---------|
| Start Capacitor: | | 53-64 MFD 330V | 2252346 |
| Starting Device: | Current relay | MTRP-0029-65 | 2334105 |
| Motor Protection: | External 3/4" | T0964/G6 | 2319135 |

EXTERNAL CHARACTERISTICS**Base Plate:** European**Tray Holder:** No**Height:** 200 mm

| | Internal Diameter (mm) | Material | Shape |
|----------------------------|------------------------|----------|-------------|
| Suction Connector | 8.1 | Copper | Slanted 42° |
| Discharge Connector | 6.1 | Copper | Straight |



RATED POINT DATA

| Cooling Capacity (W) | Power Consumption (W) | Current Consumption (A) | Gas Flow Rate (kg/h) | Efficiency (W/W) |
|----------------------|-----------------------|-------------------------|----------------------|------------------|
| ±5% | ±5% | ±5% | ±5% | ±7% |
| 605 | 343 | 2.41 | 7.43 | 1.76 |

Test condition: EN 12900, Fan, Return Gas 20°C, Subcooling OK, Evaporating: -10°C, Condensing: 45°C, Ambient: 35°C

PERFORMANCE CURVE DATA**220V 50Hz**

| Condensing Temperature (°C) | Evaporating Temperature (°C) | Cooling Capacity (W) | Power Consumption (W) | Current Consumption (A) | Gas Flow Rate (kg/h) | Efficiency (W/W) |
|-----------------------------|------------------------------|----------------------|-----------------------|-------------------------|----------------------|------------------|
| | | ±5% | ±5% | ±5% | ±5% | ±7% |
| 35°C | 10 | 1 464 | 347 | 2.44 | 16.98 | 4.22 |
| | 5 | 1 233 | 342 | 2.42 | 14.15 | 3.60 |
| | 0 | 1 028 | 334 | 2.39 | 11.68 | 3.08 |
| | -5 | 850 | 323 | 2.35 | 9.57 | 2.63 |
| | -10 | 697 | 309 | 2.31 | 7.79 | 2.25 |
| | -15 | 569 | 292 | 2.25 | 6.34 | 1.95 |
| | -20 | 468 | 272 | 2.18 | 5.18 | 1.72 |

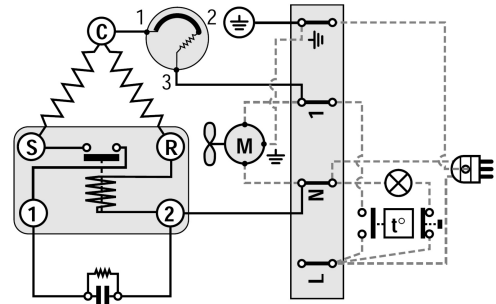
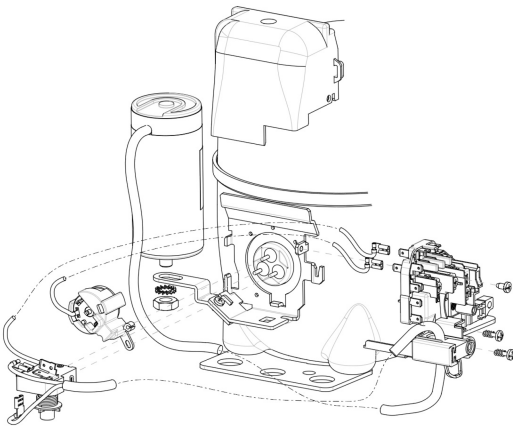
| Condensing Temperature (°C) | Evaporating Temperature (°C) | Cooling Capacity (W) | Power Consumption (W) | Current Consumption (A) | Gas Flow Rate (kg/h) | Efficiency (W/W) |
|-----------------------------|------------------------------|----------------------|-----------------------|-------------------------|----------------------|------------------|
| | | ±5% | ±5% | ±5% | ±5% | ±7% |
| 45°C | 10 | 1 272 | 409 | 2.66 | 16.25 | 3.11 |
| | 5 | 1 073 | 397 | 2.61 | 13.54 | 2.70 |
| | 0 | 895 | 382 | 2.55 | 11.18 | 2.35 |
| | -5 | 739 | 364 | 2.48 | 9.15 | 2.03 |
| | -10 | 605 | 343 | 2.41 | 7.43 | 1.76 |
| | -15 | 492 | 319 | 2.33 | 6.00 | 1.54 |
| | -20 | 401 | 292 | 2.24 | 4.85 | 1.37 |

| Condensing Temperature (°C) | Evaporating Temperature (°C) | Cooling Capacity (W) | Power Consumption (W) | Current Consumption (A) | Gas Flow Rate (kg/h) | Efficiency (W/W) |
|-----------------------------|------------------------------|----------------------|-----------------------|-------------------------|----------------------|------------------|
| | | ±5% | ±5% | ±5% | ±5% | ±7% |
| 55°C | 10 | 1 076 | 474 | 2.91 | 15.39 | 2.27 |
| | 5 | 908 | 454 | 2.82 | 12.82 | 2.00 |
| | 0 | 758 | 431 | 2.73 | 10.56 | 1.76 |
| | -5 | 625 | 405 | 2.63 | 8.62 | 1.54 |
| | -10 | 509 | 376 | 2.52 | 6.96 | 1.35 |

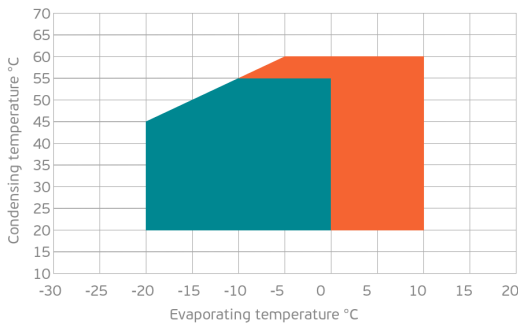
Test condition: EN 12900, Fan, Return Gas 20°C, Subcooling OK, Evaporating: -10°C, Condensing: 45°C, Ambient: 35°C

ASSEMBLY INSTRUCTION

WIRING DIAGRAM

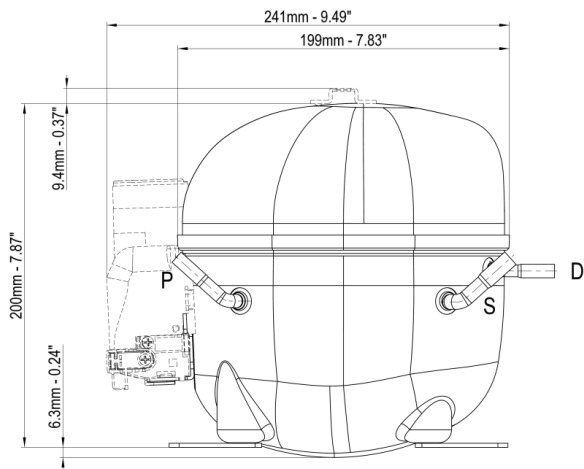


OPERATING ENVELOPE



- Operating Condition
- Transient Condition
- Superheating

NOTE: usage of compressors outside of intended working range cannot make use of the warranty, or should be consulted with Technical support.



| | ∅ mm | ∅ in | Material |
|----------------------|-------------|------|----------|
| S - Suction | 8.10 - 8.20 | 0.32 | Cu |
| P - Process | 6.10 - 6.20 | 0.24 | Cu |
| D - Discharge | 6.10 - 6.20 | 0.24 | Cu |

