

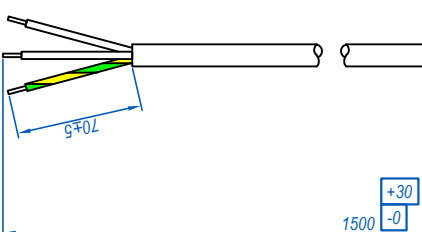
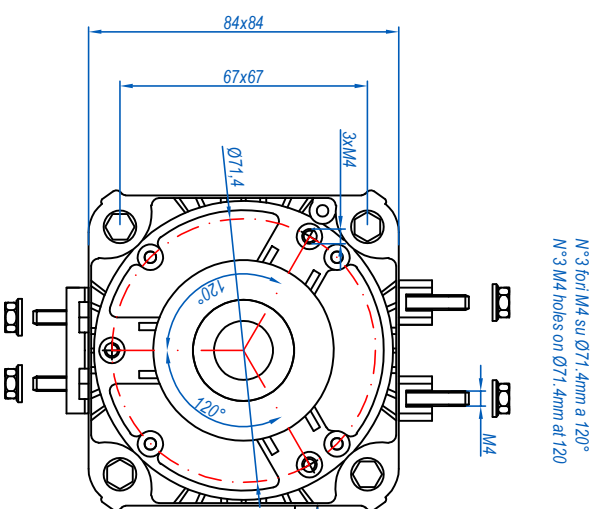
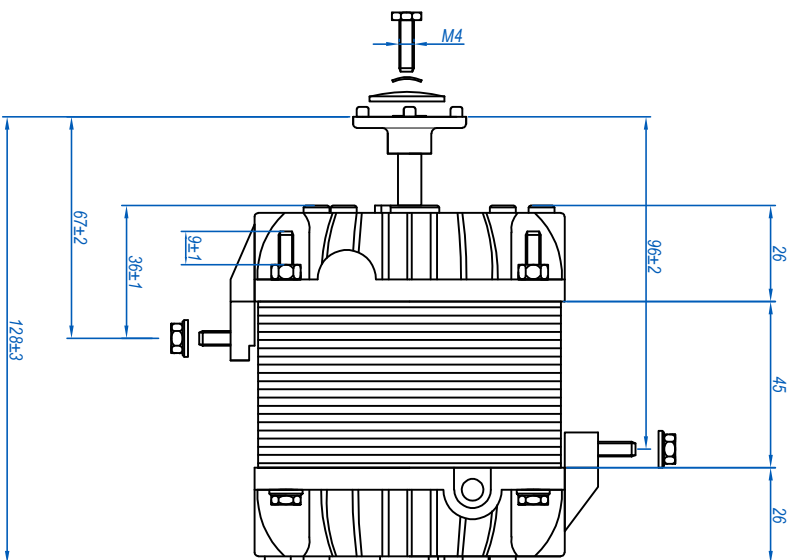
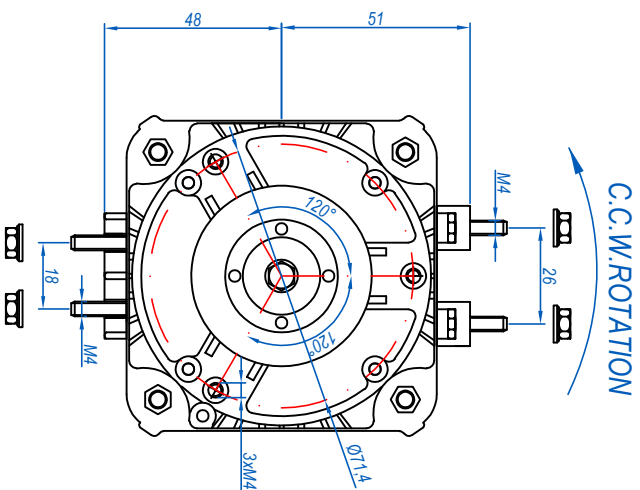
F.M.I. part number: AA210643X

Customer part number:

SP:

Issued: M.Nava

Checked:



Targhetta dati
Data label

FMI ITALIA S.r.l. AA.210
220/240V - 50/60Hz - 34/120W
0.85A - 1300/1550RPM - C.I.B
Therm. Prot. - Rot. > > > **XIV mm/aa**

ERL
CE
UL
N°Ord.

Formato cartello: A2

Issue date: 29/09/2015

Date

Modification

Sign

Customer stamp for acceptance

Note

34W MOTOR

1

Gioco assiale 0.5/2.5mm - Axial play 0.5/2.5mm

26/03/21

REV01: Aggiornate quota d'ingombro totale a 128±3mm e disl. viti basi

01/02/22

REV02: Corretta lunghezza cavo a 1500mm e viti smontate

(M.B.)

(M.B.)

Scale:

1:1



FAN MOTORS ITALIA

This drawing is property of FMI Fan Motors Italia s.r.l.
Total or partial reproduction or transmission to third parties is forbidden without consent!

2

3

4