

F.M.I. part number: AA812638X REV01

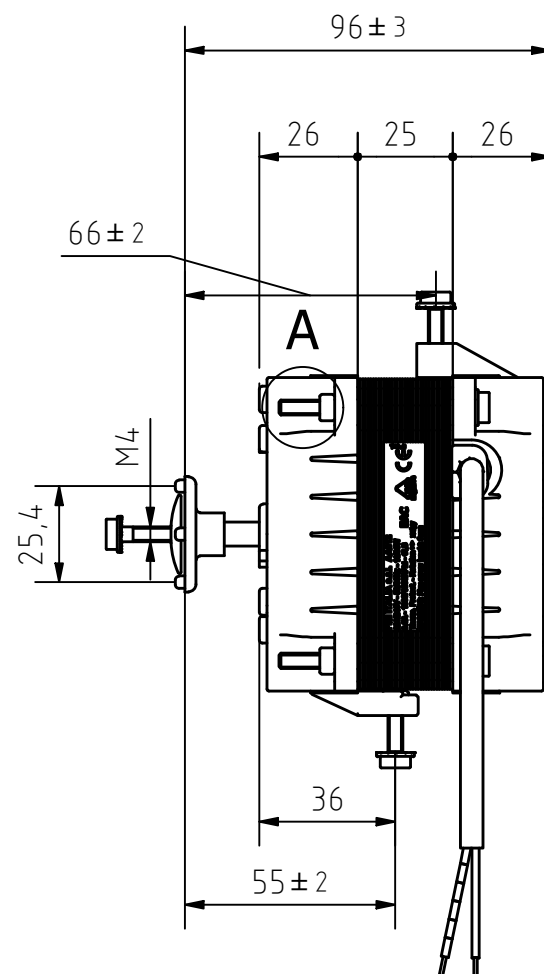
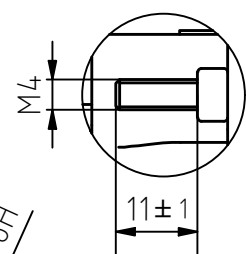
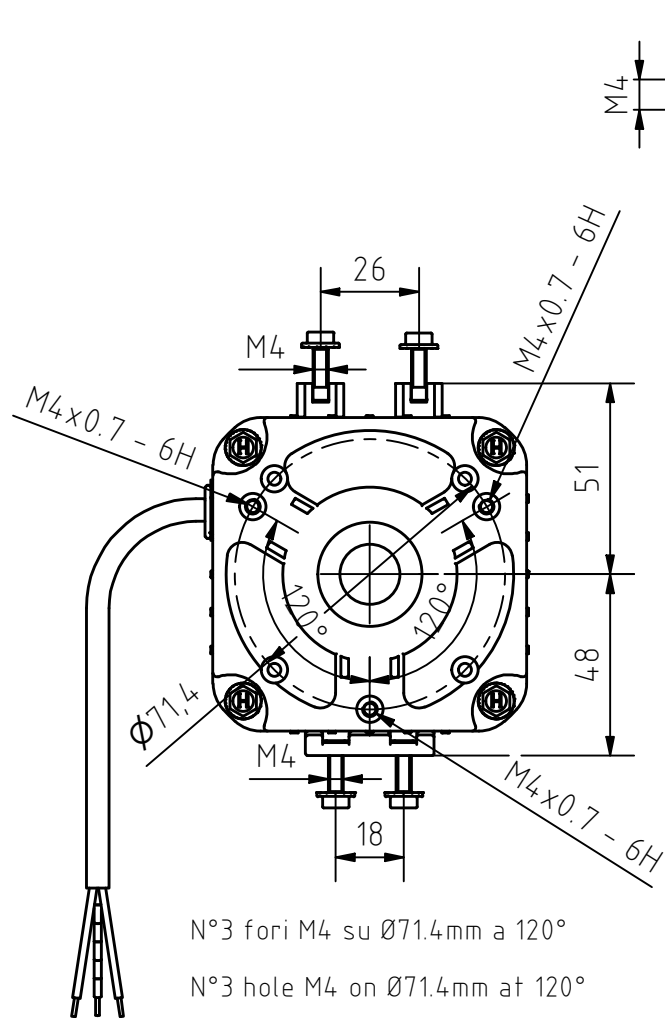
Customer part number:

S.P.:

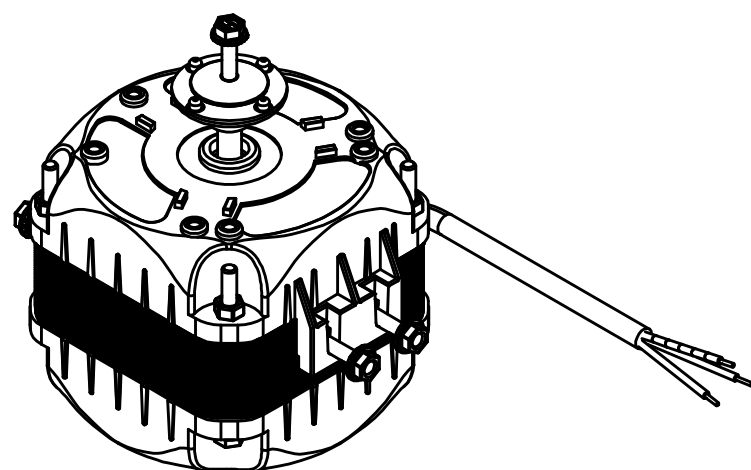
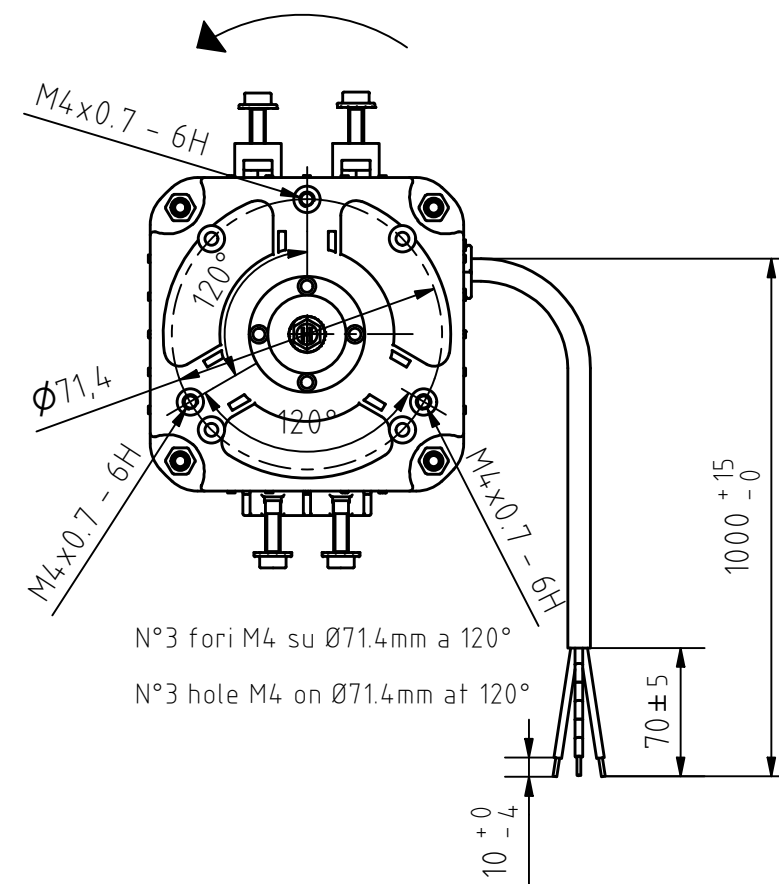
Issued: M.Nava

Checked:

A (1:1)



Rotazione antioraria lato uscita albero
C.C.W. rotation seen from shaft



Etichetta dati

Data label

FMI ITALIA s.r.l. AA812 220/240V - 50/60Hz - 16/60W 0.5A - 1300/1550RPM - Cl.B Therm. Protect. - Rotation >> xx/yy WARNING: Max screw lenght 6mm					
---	--	--	--	--	--

Mese e anno di produzione
Month and year of production



Issued date: 28/07/2005			Customer stamp for acceptance	Note	16W SHADED POLE MOTOR
Date	Modification	Sign.			
24/09/2021	Aggiornato	Nava			

1	Gioco assiale: 0.5/2.5mm - Axial play: 0.5/2.5mm
2	
3	
4	
5	
6	

This drawing is property of FMI Fan Motors Italia s.r.l. Total or partial reproduction or transmission to third parties is forbidden without consent.