

ELC-725/D

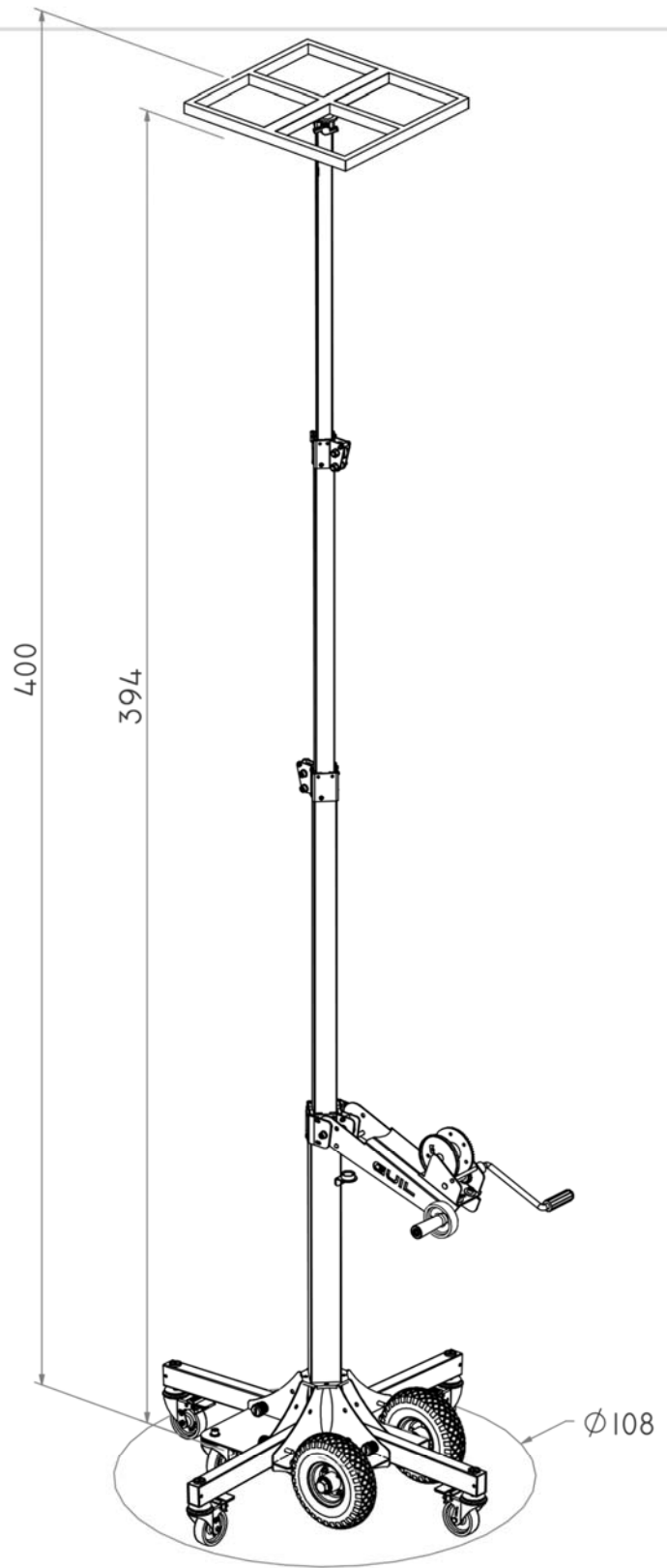
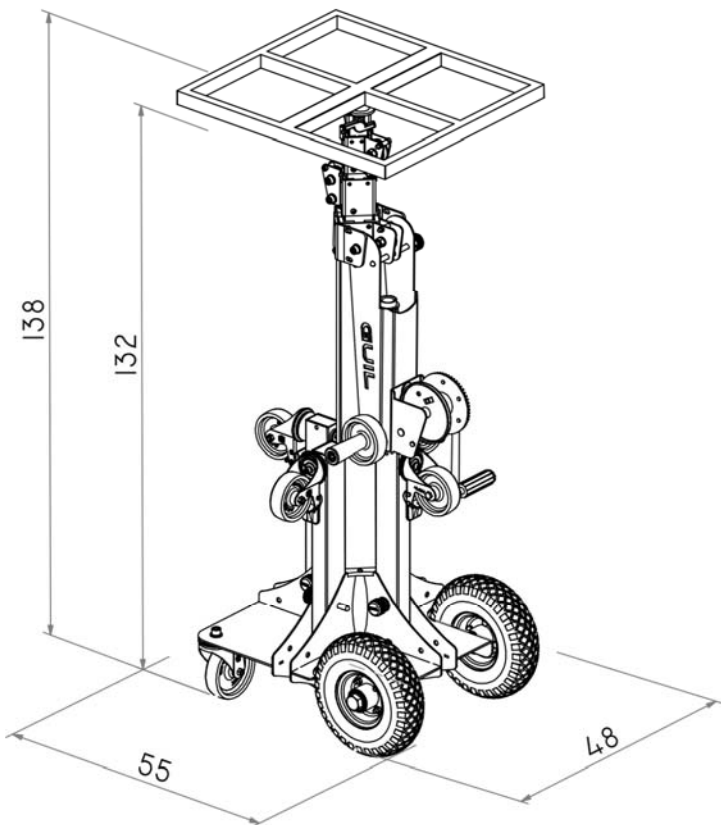
Material Lifts



ELC-725/D Material lifts

TECHNICAL SPECIFICATIONS

Maximum Height	3.94 m
Maximum Height with platform	4.00 m
Maximum Load	125 Kg
Minimum Height	1.32 m
Minimum Height with platform	1.38 m
Net Weight	47 Kg
Footprint	Ø1.08 m
Folded Dimensions	40 x 55 x 132 cm
Material	Steel
BC-10 Platform	Included
Weight	4 kg
Dimensions	55 x 50 cm
Male Adaptor	Ø35 mm



MAIN FEATURES:

- > Double-handled winch
- > Height-adjustable legs
- > Foldable Legs with wheels
- > Fitted with 2 all-terrain wheels

PACKAGING

Dimensions (L x W x H) 60 x 55 x 140 cm

Gross Weight 55 kg