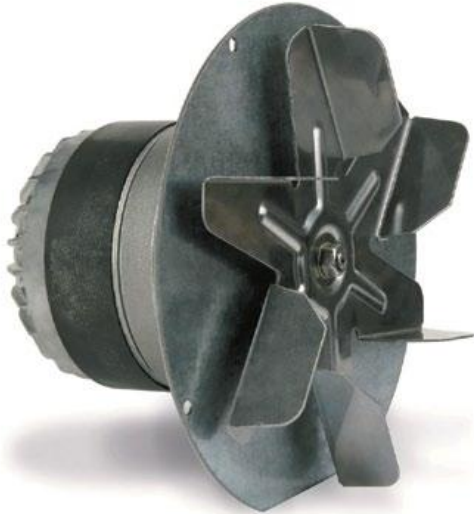


Diameter:

150 mm

R09X-2M-1533



Nominal data according to standard EN 60335:

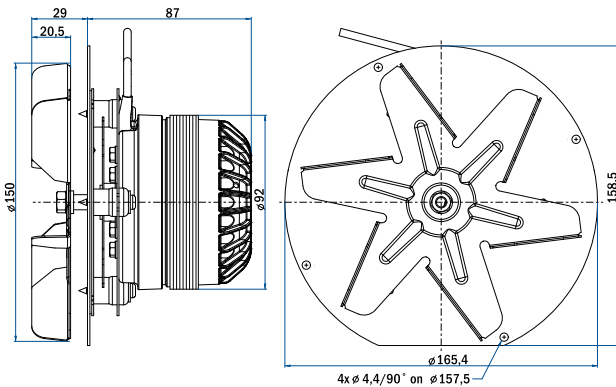
Phase	1~
Nominal voltage	230 V
Frequency	50 Hz
Rated power input	28 W
Rated current	0.12 A
Rated speed	2500 RPM
Condensator	1 μ F/450 V
Connection	cabie
Insulation class	155
Protection class	IP44

ErP data according to EU regulation 327/2011:

Is not subject to the EU regulation 327/2011.

Power input lower than 125 W.

Type	Code	Weight (kg)
R09X-2M-1533	0309-4-0155	1.9



General notes

Connection diagram: 0301-1-0026 Page 145