

Diameter:

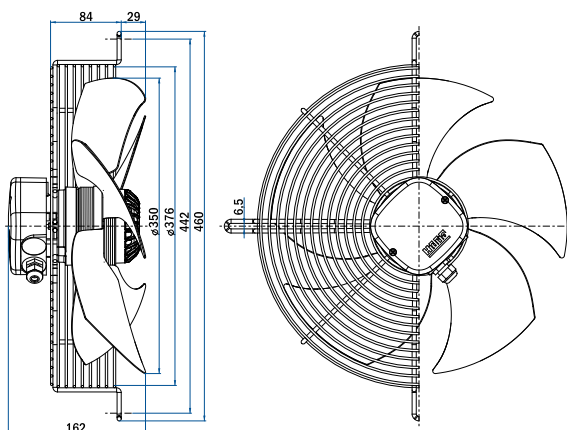
350 mm

R09_-3530H_-4M-4237



Fan with guard grill

| Airflow Direction | Type | Code | Weight (kg) |
|-------------------|---------------------|-------------|-------------|
| Sucking | R09R-3530HA-4M-4237 | 0309-4-1000 | 3.7 |
| Blowing | R09R-3530HP-4M-4237 | 0309-4-1032 | |



Fan with plate

| Airflow Direction | Type | Code | Weight (kg) |
|-------------------|---------------------|-------------|-------------|
| Sucking | R09P-3530HA-4M-4237 | 0309-4-1013 | 6.2 |
| Blowing | R09P-3530HP-4M-4237 | 0309-4-1122 | |

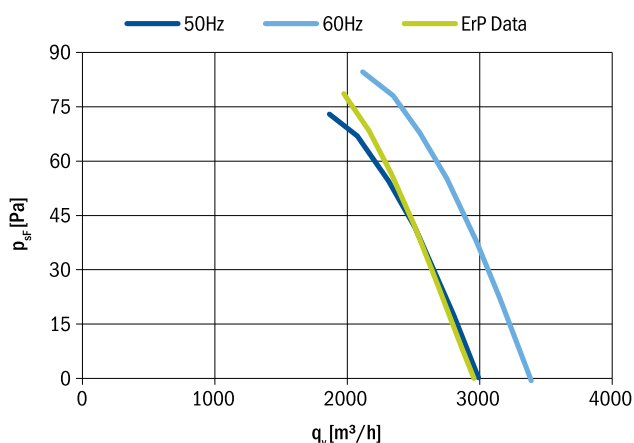
Fan without guard grill

| Airflow Direction | Type | Code | Weight (kg) |
|-------------------|---------------------|------------|-------------|
| Sucking | R09E-3530HA-4M-4237 | On request | |
| Blowing | R09E-3530HP-4M-4237 | On request | |

| Nominal data according to standard EN 60335: | |
|--|---------------|
| Phase | 1~ |
| Nominal voltage | 230 V |
| Frequency | 50/60 Hz |
| Rated power input | 130/165 W |
| Rated current | 0.60/0.72 A |
| Rated speed | 1290/1380 RPM |
| Min. ambient temperature | -30 °C |
| Max. ambient temperature | 60 °C |
| Sound power level A weighted | 72/75 dB (A) |
| Condensator | 4 µF/450 V |
| Connection | terminal box |
| Insulation class | 155 |
| Protection class | IP54 |

| ErP data according to EU regulation 327/2011: | |
|---|------------------------|
| Overall efficiency | 29.0 % |
| Measurement category | A |
| Efficiency category | static |
| Efficiency grade N | 40.7 |
| Variable speed drive | NO |
| Power input | 140 W |
| Air flow | 1975 m ³ /h |
| Pressure drop | 79 Pa |
| Speed | 1333 RPM |
| Specific ratio | 1.00 |

Aerodynamic characteristic



Fan characteristic measured in full bell mouth with guard grill.
ErP characteristic measured in full bell mouth without guard grill.

| General notes | |
|----------------------------|---------------------------------|
| Connection diagrams: | |
| Sucking | 0301-1-0043 See section |
| Blowing | 0301-1-0044 Connection diagrams |
| Guard grills & wall-plates | See section Accessories |
| Standards compliance | See introduction page |