

**R09\_-3030H\_-4M-2543**

**Diameter:**

**300 mm**

**Nominal data according to standard EN 60335:**

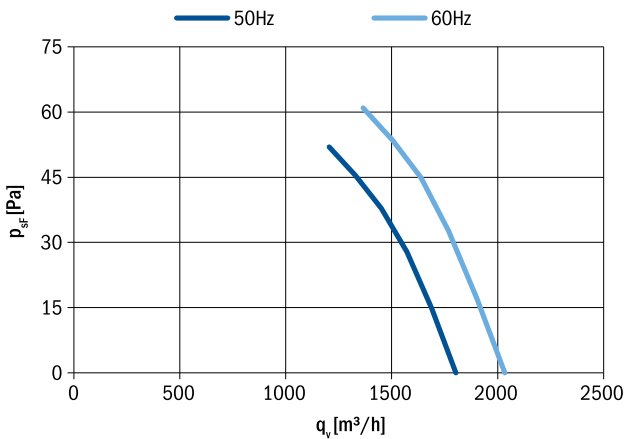
|                              |               |
|------------------------------|---------------|
| Phase                        | 1~            |
| Nominal voltage              | 230 V         |
| Frequency                    | 50/60 Hz      |
| Rated power input            | 65/90 W       |
| Rated current                | 0.30/0.40 A   |
| Rated speed                  | 1400/1500 RPM |
| Min. ambient temperature     | -30 °C        |
| Max. ambient temperature     | 70 °C         |
| Sound power level A weighted | 66/71 dB (A)  |
| Condensator                  | 2 µF/450 V    |
| Connection                   | terminal box  |
| Insulation class             | 155           |
| Protection class             | IP54          |

**ErP data according to EU regulation 327/2011:**

**Is not subject to the EU regulation 327/2011.**

Power input lower than 125 W.

**Aerodynamic characteristic**

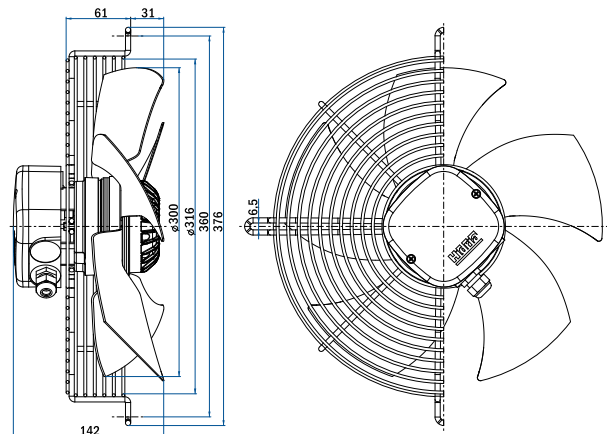


Fan characteristic measured in full bell mouth with guard grill.



**Fan with guard grill**

| Airflow Direction | Type                | Code        | Weight (kg) |
|-------------------|---------------------|-------------|-------------|
| Sucking           | R09R-3030HA-4M-2543 | 0309-4-1112 | 3.0         |
| Blowing           | R09R-3030HP-4M-2543 | 0309-4-1050 |             |



**Fan with plate**

| Airflow Direction | Type                | Code        | Weight (kg) |
|-------------------|---------------------|-------------|-------------|
| Sucking           | R09P-3030HA-4M-2543 | 0309-4-1025 | 4.5         |
| Blowing           | R09P-3030HP-4M-2543 | 0309-4-1078 |             |

**Fan without guard grill**

| Airflow Direction | Type                | Code       | Weight (kg) |
|-------------------|---------------------|------------|-------------|
| Sucking           | R09E-3030HA-4M-2543 | On request |             |
| Blowing           | R09E-3030HP-4M-2543 | On request |             |

**General notes**

Connection diagrams:

Sucking 0301-1-0043 See section  
Blowing 0301-1-0044 Connection diagrams

Guard grills & wall-plates See section Accessories

Standards compliance See introduction page