

Diameter:

330 mm

R09_-3330H_-ES25C-01A06



Nominal data according to standard EN 60335:

Phase	1~
Nominal voltage	230 V
Nominal voltage range	230 V
Frequency	50-60 Hz
Input power	120 W
Input current	0.90 A
Nominal speed	1550 RPM
Min. ambient temperature	-25 °C
Protection class	IP44
Insulation class	130

ErP data according to EU regulation 327/2010:

Overall efficiency	46.4 %
Measurement category	A
Efficiency category	static
Efficiency grade N	58.2
Variable speed drive	INTEGRATED
Power input	136 W
Air flow	1854 m ³ /h
Pressure drop	111 Pa
Rotational speed	1556 RPM
Specific ratio	1.00

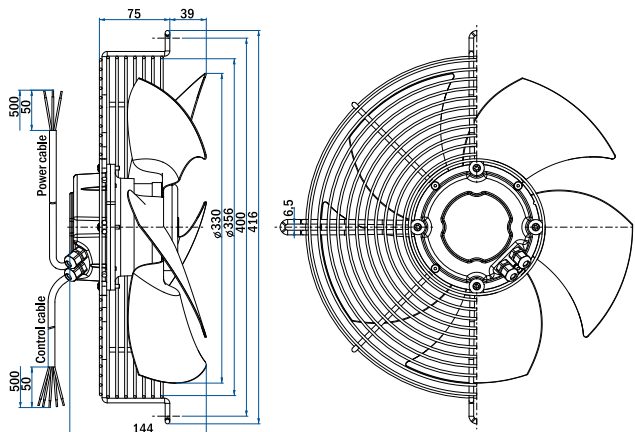
General notes

Connection diagram:	Page 144
Accessories	Page 134
Compliant to standards	Page 6

Dimensions and fan ordering information



Type: R09R-3330HS-ES25C-01A06
Code: 0309-4-2001
Weight: 3.5kg



Type: R09P-3330HS-ES25C-01A06
Code: On request
Weight:

