

Diameter: **450 mm**

R10_-45AP_-ES50B-04A05



Nominal data according to standard EN 60335:	
Phase	1~
Nominal voltage	230 V
Nominal voltage range	200-240 V
Frequency	50-60 Hz
Input power	300 W
Input current	2.05 A
Nominal speed	1280 RPM
Min. ambient temperature	-25 °C
Protection class	IP54
Insulation class	130

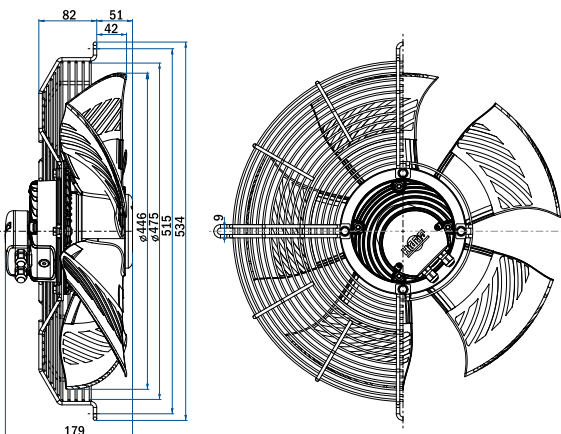
ErP data according to EU regulation 327/2010:	
Overall efficiency	43.2 %
Measurement category	A
Efficiency category	static
Efficiency grade N	52.5
Variable speed drive	INTEGRATED
Power input	345 W
Air flow	3966 m ³ /h
Pressure drop	127 Pa
Rotational speed	1287 RPM
Specific ratio	1.00

General notes	
Connection diagram:	Page 144
Accessories	Page 134
Compliant to standards	Page 6

Dimensions and fan ordering information



Type: R10R-45APS-ES50B-04A05
Code: 0310-4-0018
Weight: 5.3 kg



Type: R10P-45APS-ES50B-04A05
Code: 0310-4-0028
Weight: 7.8 kg

