

R13_-5630H_-6M-7036

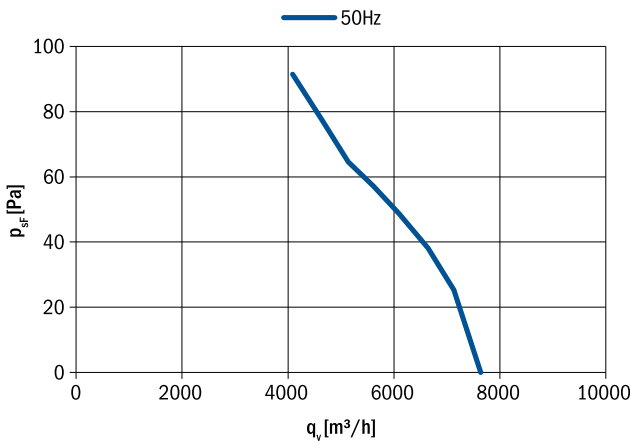
Diameter:

560 mm

Nominal data according to standard EN 60335:

Phase	1~
Nominal voltage	230 V
Frequency	50 Hz
Rated power input	420 W
Rated current	1.90 A
Rated speed	865 RPM
Min. ambient temperature	-30 °C
Max. ambient temperature	55 °C
Sound power level A weighted	76 dB (A)
Condensator	12.5 µF/450 V
Connection	terminal box
Insulation class	155
Protection class	IP54

Aerodynamic characteristic

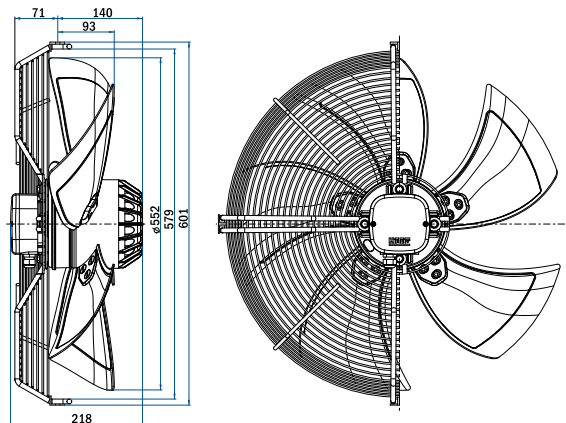


Fan characteristic measured in full bell mouth with guard grill.



Fan with guard grill

Airflow Direction	Type	Code	Weight (kg)
Sucking	R13R-5630HA-6M-7036	0313-4-1007	13.3
Blowing	R13R-5630HP-6M-7036	On request	



Fan with plate

Airflow Direction	Type	Code	Weight (kg)
Sucking	R13P-5630HA-6M-7036	0313-4-1031	21.0
Blowing	R13P-5630HP-6M-7036	On request	

Fan without guard grill

Airflow Direction	Type	Code	Weight (kg)
Sucking	R13E-5630HA-6M-7036	0313-4-1066	10.5
Blowing	R13E-5630HP-6M-7036	On request	

General notes

Connection diagrams:			
Sucking	0301-1-0044	See section	
Blowing	0301-1-0043	Connection diagrams	
Guard grills & wall-plates	See section Accessories		
Standards compliance	See introduction page		