

**Fan with wall plate****Airflow****Direction**

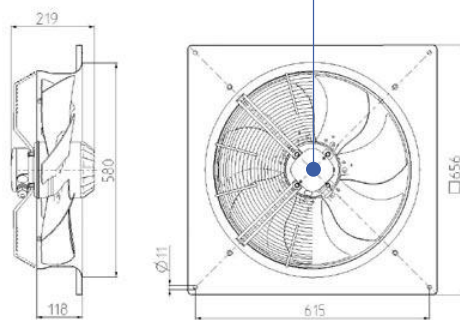
- »S«
- »B«

**Type:**

R13P-5030HA-4T2-7056  
R13P-5030HP-4T2-7056

**Code:**

0313-4-1028

**Weight:**

18 kg

R13\_5030H\_4T2-7056



**Diameter:** 500 mm

**Fan with guard grill****Airflow****Direction**

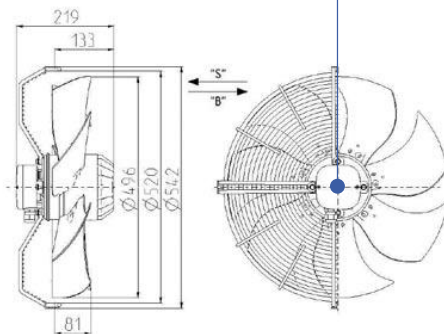
- »S«
- »B«

**Type:**

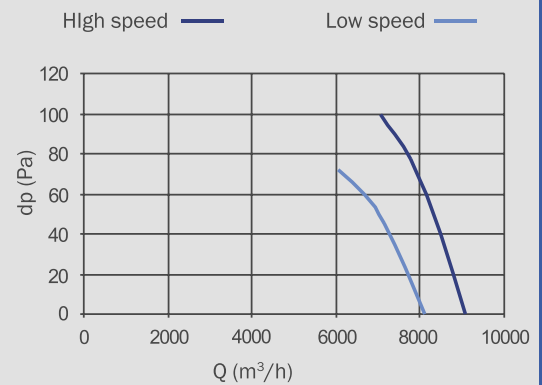
R13R-5030HA-4T2-7056  
R13R-5030HP-4T2-7056

**Code:**

0313-4-1038

**Weight:**

12,5 kg

**Aerodynamic characteristic:****Fan without guard grill****Airflow****Direction**

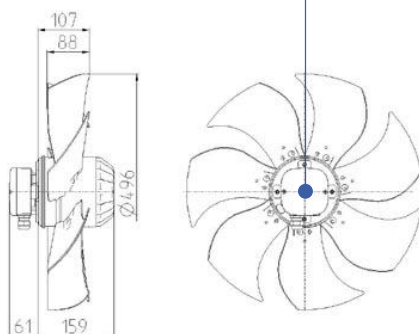
- »S«
- »B«

**Type:**

R13E-5030HA-4T2-7056  
R13E-5030HP-4T2-7056

**Code:**

0313-4-1062

**Weight:**

10,1 kg

**Performance Data:**

3~400V D/Y 50Hz  
 $P_1 = 0,63 / 0,48\text{kW}$   
 $n = 1415 / 1260\text{min}^{-1}$   
 $I = 1,75 / 0,85\text{A}$   
 $t_R = 60^\circ\text{C}$   
 $L_{wa} = 76 / 72\text{dB(A)}$   
 Connection: terminal box  
 Ins.Cl. F  
 IP54

**Notes:**

Fan characteristic measured in full bell mouth with guard grill