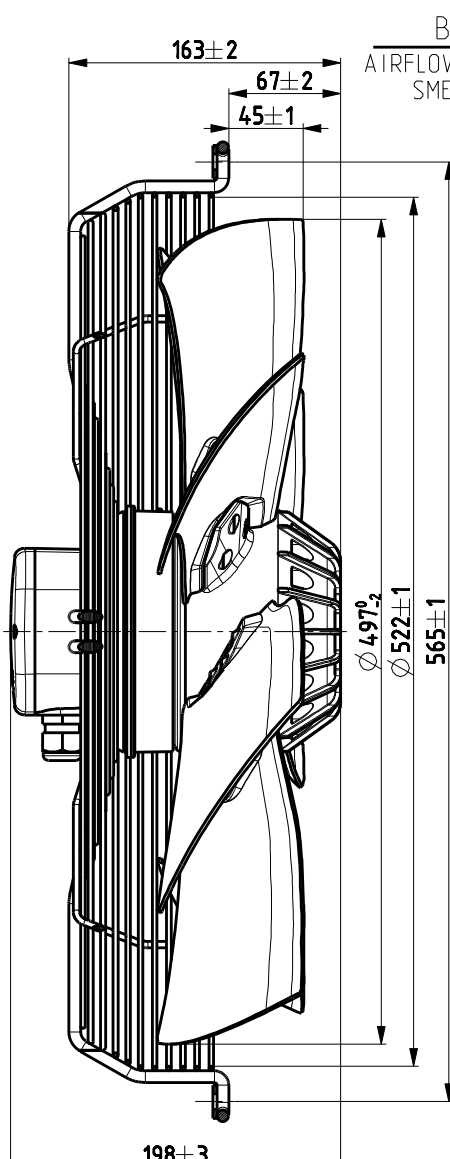
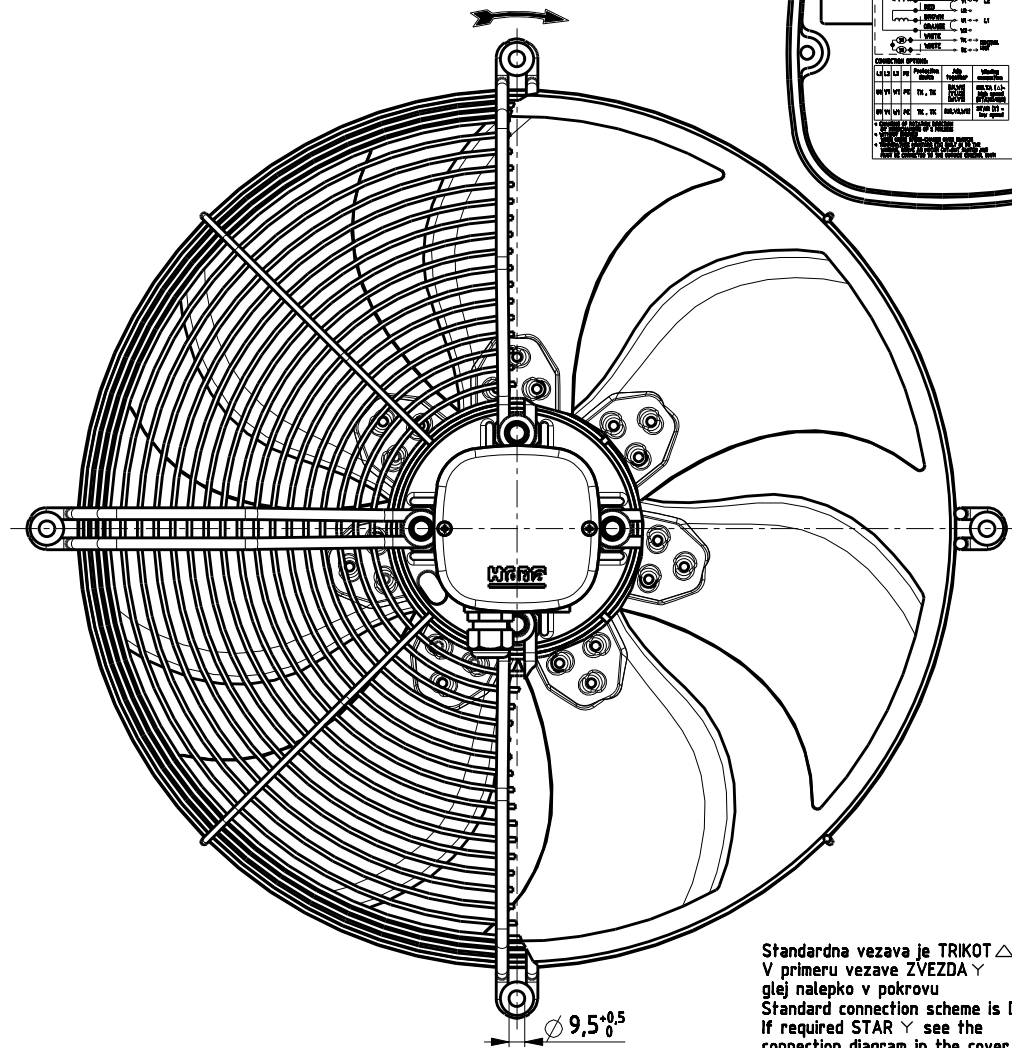


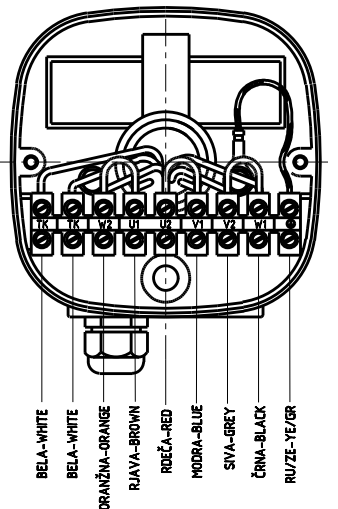
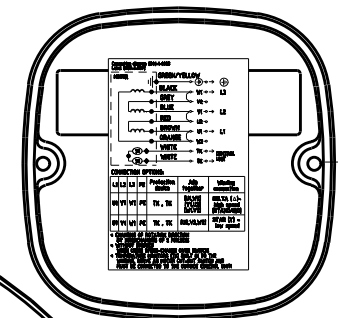
Vsa prenos tretjim osebam in uporaba v nedogovorjene namene ni dovoljena.
 This document must not be copied without our written permission and/or transferred to a third party for any unauthorized purpose.



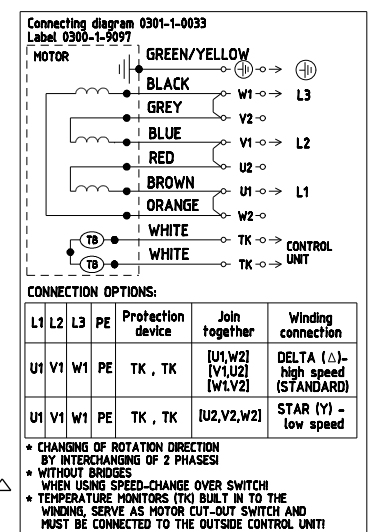
BLOWING
AIRFLOW DIRECTION
SMER ZRAKA



Standardna vezava je TRIKOT Δ
 V primeru vezave ZVEZDA γ
 glej nalepko v pokrovu
 Standard connection scheme is DELTA Δ
 If required STAR γ see the
 connection diagram in the cover



BELA-WHITE
 BELA-WHITE
 ORANŽNA-ORANGE
 RJAVA-BROWN
 RDEČA-RED
 MODRA-BLUE
 SIVA-GRAY
 ČRNA-BLACK
 RUM/ZE-YE/GR



Vzmetna ploščica na kabelski strani
 - navodilo za kontrolo ventilatorja 0301-1-4732
 - checking instructions 0301-1-4732

HEF MADE IN SLOVENIA **CE** DATE

R13R-5030HP-6T2-5060
 3~400V D/Y 50Hz 255/175W 0,67/0,31A
 960/870RPM IP54 INS.CL.F TH.PROT.
 ROT. ← **0313-4-1150**

HEF		METOLERRANCE HERE UNTOLERANCED DIM.		ISO 2768-m		MERLO/FORMAT 33:100 / A3			
Hidria Rotomatika		POVRŠINSKA OBD. SURFACE TEXTURE				MATERIAL			
		IMAK		DATUM 01-Dec-2010		PODPIS Uroš K.		NAZIVA/TITLE: VENTILATOR HEF	
		PROJEKTORIAL		01-Dec-2010		Uroš T.		R13R-5030HP-6T2-5060	
		POTRIBNA ROTOMATIČNA MOTORNA						KODA/CODE: 0313-4-1150	
		POTRIBNA SVE LAMPE						VERZIJ/REV: 0313-4-1150	
		POTRIBNA ROTORNAKNA PANS						LIST/SHEET: 1	
		POTRIBNA						OD/OF: 1	
1	329/10	01-Dec-2010	Uroš K.						
ST.	ST.SPR.	DATUM	PODPIS						