

**Diameter:** **800 mm**

**R14\_-80AP\_-ES80B-14A01**



<b>Nominal data according to standard IEC 60034 (max. load):</b>	
Phase	1~
Nominal voltage	230 V
Nominal voltage range	200-277 V
Frequency	50-60 Hz
Input power	660 W
Input current	2.8 A
Nominal speed	710 RPM
Min. ambient temperature	-25 °C
Protection class	IP54
Insulation class	130

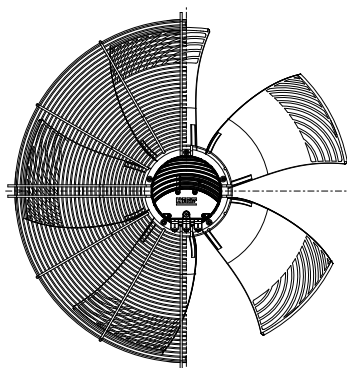
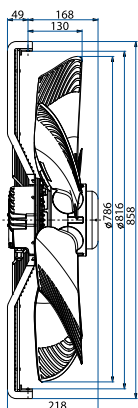
<b>ErP data according to EU regulation 327/2011:</b>	
Overall efficiency	49.6 %
Measurement category	A
Efficiency category	static
Efficiency grade N	56.3
Variable speed drive	INTEGRATED
Power input	0.71 kW
Air flow	11798 m <sup>3</sup> /h
Pressure drop	101 Pa
Rotational speed	716 RPM
Specific ratio	1.00

<b>General notes</b>	
Connection diagram: 0302-0-1005	See section Connection diagrams
Guard grills & wall-plates	See section Accessories
Standards compliance	See introduction page

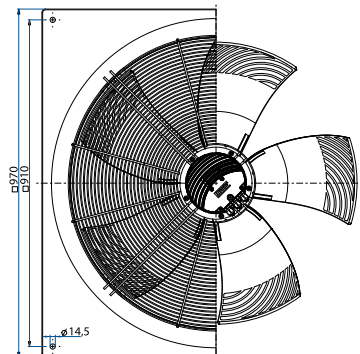
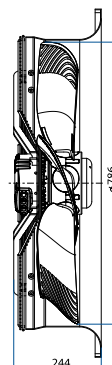
**Dimensions and fan ordering information**

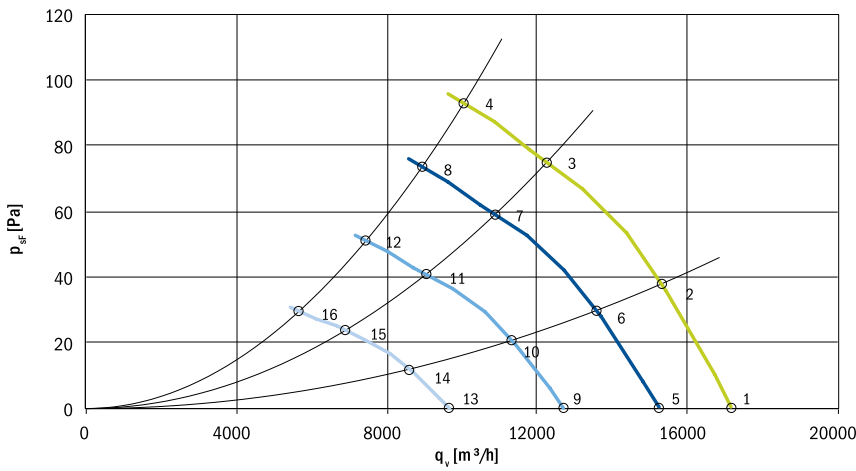


Type: R14R-80APS-ES80B-14A01  
Code: 0314-4-0063  
Weight: 17.2 kg



Type: R14P-80APS-ES80B-14A01  
Code: 0314-4-0064  
Weight: 32.7 kg





**Aerodynamic characteristic:**

- measured in full bell mouth without guard grill
- installation category A according to ISO 5801

**Sound power level:**

- measured on pressure side
- fan mounted in full bell mouth without guard grill
- measured according to ISO 3741; installation type A

The values given may vary according to actual installation in the unit.

**Definition of symbols**

- U [V]** Supply voltage
- f [Hz]** Frequency
- n [RPM]** Fan speed
- q<sub>v</sub> [m³/h]** Air flow
- p<sub>sF</sub> [Pa]** Pressure drop
- P<sub>e</sub> [W]** Power input
- I [A]** Current
- L<sub>WA</sub> [dB (A)]** Sound power level A weighted
- T<sub>a max</sub> [°C]** Max. ambient temperature

	U [V]	f [Hz]	n [RPM]	q <sub>v</sub> [m³/h]	p <sub>sF</sub> [Pa]	P <sub>e</sub> [W]	I [A]	L <sub>WA out</sub> [dB (A)]	T <sub>a max</sub> [°C]
1	230	50	710	17200	0	455	2.03	69	50
2	230	50	710	15300	38	555	2.48	64	50
3	230	50	710	12250	75	665	3.04	63	50
4	230	50	710	10050	93	720	3.35	68	50
5	230	50	630	15250	0	315	1.42	66	50
6	230	50	630	13550	30	390	1.72	61	50
7	230	50	630	10850	59	465	2.12	60	50
8	230	50	630	8950	73	505	2.36	65	50
9	230	50	525	12700	0	185	0.82	62	50
10	230	50	525	11350	20	225	1.00	57	50
11	230	50	525	9100	40	265	1.21	56	50
12	230	50	525	7400	51	292	1.36	61	50
13	230	50	400	9700	0	81	0.37	57	50
14	230	50	400	8700	11	97	0.43	52	50
15	230	50	400	7000	23	117	0.55	51	50
16	230	50	400	5700	29	128	0.62	56	50



Type: R14R-80APB-ES80B-14A01  
Code: On request  
Weight:



Type: R14P-80APS-ES80B-14A01  
Code: On request  
Weight: