



Up to 4,9 m

The all purpose lifter is 'the' multi purpose device, an essential piece of equipment for any business involved in fitting airconditioning units and all loads

Any one of the range will make better use of man power, turning a 3 man lifting job into a 1 man lifting job.

This range of portable lifting equipment will give your business the edge over your competition.

Better deploy manpower on site, make lifting jobs easier and the overall installation of loads quicker.



UPTER
design



CM 520 equipped with wheels, option for CM 340



- Constructed by heat treated, robust aluminum, compact, safety and reliability.
- Set-Up without tools, the legs can be release or fold in seconds without tools.
- 4 Legs, versatile and infinitely adjustment, available use in uneven ground with special design can let you **working close to the wall** (design UPTER)
- The **variable speed** control can be soft start or adjust the micro operating height.
- Emergency Stop Button, for stop raising / lowering immediately.
- Manual operation incase of power failure
- **Automatic clutch breaker**: it equipped to prevent to over weight loading.
- Level to ensure the proper set-up while and adjusting the telescoping legs
- CM 520 equipped with handle and transport wheels
- CM 340 with carry bags



UPTER	Basic height	Lifting height	Load capacity	Weight mast (*)	Dimensions closed	Dimensions operating
CM-340	970 mm	3,3 m	130 kg / 3,0 m 120 kg / 3,3 m	21 kg	300 x 300 mm	1100 x 1000 mm
CM-520	1120 mm	4,9 m	140 kg / 3 m 130 kg / 4 m 90 kg / 4,9 m	38 kg	380 x 380 mm	1400 x 1400 mm

(*) = Platform 440 x 750 mm, poids 5,3 kg (**) = closed to the wall



Electric portable Lifter

**UPTER
CM 340
CM 520**



4 telescoping legs
for unneven ground and
Operation in confined space.
Special design to work close
to the wall



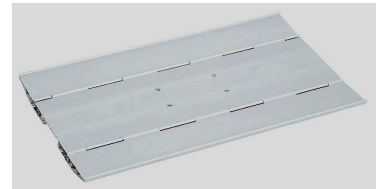
**Manual operation
with handle**



Switch box



Level
To check if the lifter is
on the correct position



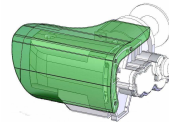
Platform
turns to 360°



Completely Portable
CM 340 = 2 carry bags
CM 520 = 2 wheels + handle



Accessories



Motor cover



Platform outrigger
Lenght 2 x 380 mm

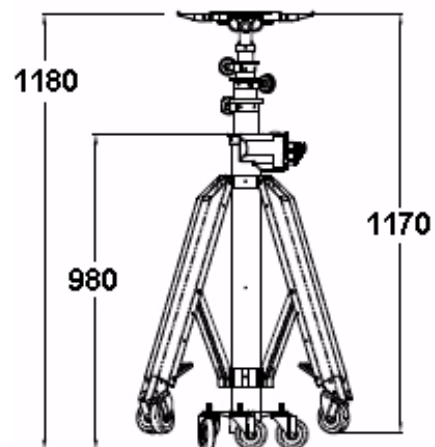
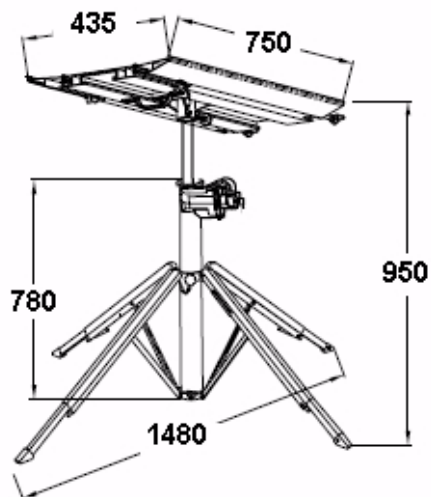
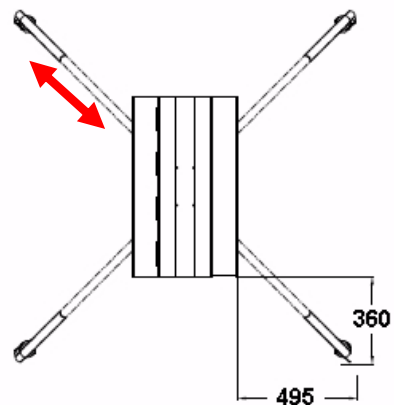
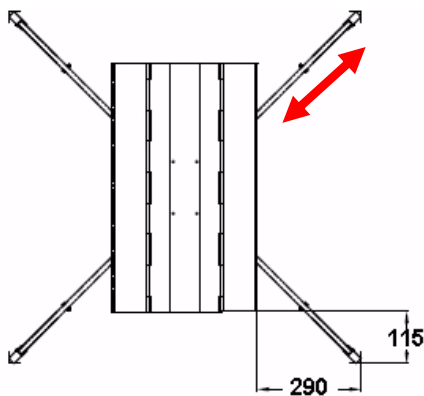
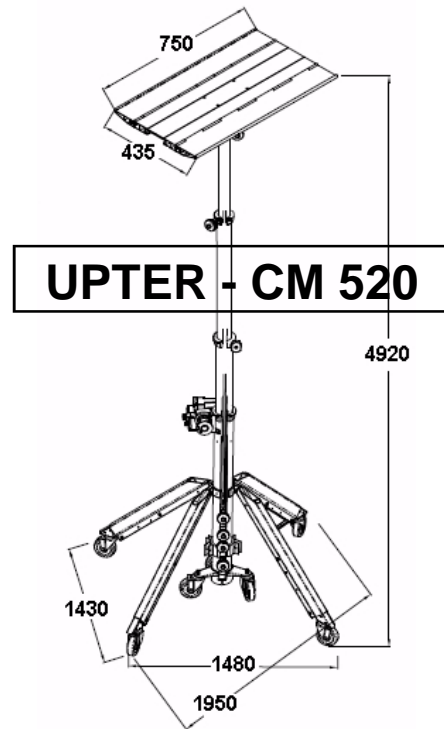
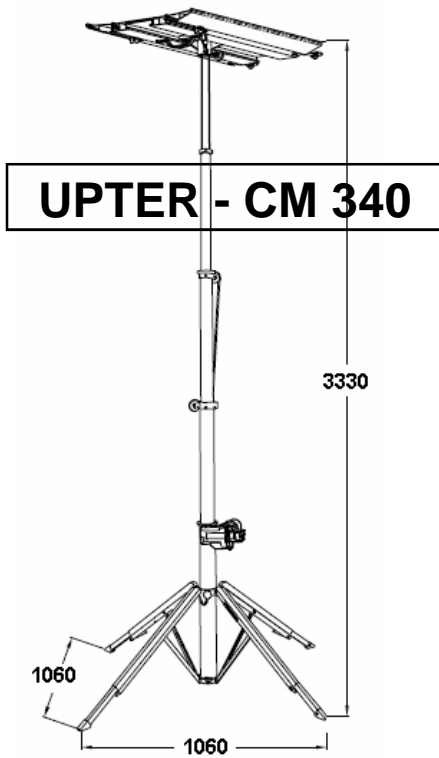


Set of wheels CM 340
1 x for the mast
1 x on each foot



Electric portable Lifter

UPTER
CM 340
CM 520





Electric portable Lifter

UPTER
CM 340
CM 520

