



Mastercool[®] Inc.
"World Class Quality"

English

Deutsch

Français

Español

Italiano

Nederlands

Portuguese

OPERATING INSTRUCTIONS

IntellaSense
REFRIGERANT LEAK DETECTOR

MODEL#-55800



BEDIENUNGSANLEITUNG

KÄLTEMITTEL-LECKSUCHER

MODELL#-55800

MANUEL D'OPÉRATION

DETECTEUR DE FUITE DE RÉFRIGÉRANTS

MODÈLE#-55800

INSTRUCCIONES DE OPERACION

DETECTOR DE REFRIGERANTES

MODELO#-55800

ISTRUZIONI PER L'USO

CERCAFUGHE PER REFRIGERANTI

MODELLO#-55800

INSTRUCTIES

KOELMIDDEL LEKDETECTOR

MODEL#-55800

MANUAL DE OPERAÇÃO

DETECTOR DE VAZAMENTO

MODELO#-55800



DESIGN CERTIFIED BY INTERTEK TO MEET SAE J2791, J2913 & EN14624
Detects all refrigerants, combustible gases and hydrogen/nitrogen mix (CFC, HFC, HCFC and blends) Unit has been tested and approved to work with R1234yf as well as R32 and R410a

PRODUCT OVERVIEW

You have purchased an intelligent electronic leak detector, model 55800. At the heart of this advanced leak detector is a new low power metal oxide gas sensor with superior performance properties when compared to other competitive units that are still utilizing older generation sensors. The new sensor is characterized by high sensitivity and fast response upon detecting the presence of extremely small levels of refrigerants and flammable gasses. For this reason, this sensor was selected and integrated into the 55800 Leak Detector.

In addition, we integrated a powerful microprocessor into the design that automatically selects the best operating condition for the sensor to ensure optimum performance throughout the life of the sensor. From the time the unit is initially turned on, an accelerated start-up heating program was incorporated, to prepare the sensor element for readiness in about a minute or less. During this time, a sensor diagnostic check is performed and other critical parameters are checked. Once the proper conditions are sensed, the processor enables the READY legend on the LCD and initiates the audible “beep” on the unit, provided the mute feature is disabled.

From this point on, the processor continues to interact with the user by monitoring the commands received from the keypad and executing them, as well as performing self-diagnostic checks on critical elements multiple times each second, thereby assuring and maintaining the continued operation of the product. Any deviation of the critical parameters from the normally established design limits, such abnormal conditions are annunciated to the attention of the user by audible and visual means, using the advanced colorful user-friendly LCD display.

Additional other beneficial features are detailed and discussed further in this Operating Manual.



WARNING

This symbol is intended to alert the user of the presence of important operating and maintenance or servicing instructions in the literature accompanying this product.

IMPORTANT GUIDELINES

1. The 55800 leak detector shall be operated in accordance to the equipment manufacturer's operating instructions.
2. Leak test with the unit turned OFF.
3. Visually trace the entire refrigerant system and inspect for signs of air conditioning lubricant leakage, damage and corrosion on all lines, hoses and components. Each questionable area shall be carefully checked with the detector probe as well as fittings, hose-to-line couplings, and refrigerant controls. Service ports with caps in place, brazed or welded areas and areas around attachment points and hold-downs on lines and components. If looking for an apparently larger leak, check first at the Medium 7 g/yr or Low 14 g/yr sensitivity setting.
4. Always follow the refrigerant system around in a continuous path so that no area of potential leaks is missed. If a leak is found, always continue to test the remainder of the system.
5. Recheck service valves with caps removed. Blow shop air over service valve to clear immediate area and then check with the detector set at 7 g/yr (0.25 oz/yr) Medium sensitivity.
6. Move the detector at a rate of no more than 75 mm/sec (3 in/sec) and as close as possible to 9.3 mm (3/8 in) from the surface, completely encircling each test position (switch, sensor, refrigerant tubing connection etc).
7. Slower movement and closer approach of the probe improves the probability of finding a leak. However, detectors made to meet this standard are required to air sample and detect a leak from a distance of 9.5 mm (3/8 in) distance. Therefore, retest is advised at the most sensitive setting, when a leak appears to be found, particularly if the probe was in a static position on a joint or making physical contact with a joint as it was moving. Repeat with a moving probe test at that location, taking care to maintain a small gap (9.5 mm or 3/8 in) to confirm that the leak is of a repairable size. Using a 7 g/yr (0.25 oz/yr) Medium sensitivity setting on the detector, after finding an apparent leak with the 4 g/yr (0.15 oz/yr) High sensitivity setting, may also be very helpful.

SPECIFICATIONS

Sensing Element:	Heated Tin Oxide Element
Sensor Life:	2000 hours
Refrigerants:	Detects all refrigerants, combustible gases and hydrogen/nitrogen mix (CFC,HFC, HCFC and blends) Unit has been tested and approved to work with R1234yf as well as R32 and R410a
Sensitivity Levels:	HIGH: 0.05 oz/yr (1.5 g/yr) MEDIUM: 0.25 oz/yr (7 g/yr) LOW: 0.50 oz/yr (14 g/yr)
Response Time:	Less than 1 second
Battery:	2 D Alkaline 12000 mAh batteries
Battery Life:	60 hours
Operating Temperature Range:	-17 to 49°C (0°F to 120°F)
Weight:	1 lb 8 oz (0.68 kg)
Display:	40mm (w) x 30mm (h), progressive color LCD display with 10 vertical bars

FEATURES

“Super Sensitive Function” allows the unit further sensitizing beyond the standard settings for locating small leaks with gases such as R1234yf and R407C

Display Properties:

- Display relative magnitude of the detected leaks

- Visual indication of the selected sensitivity range (high, medium or low).
- Displays the readiness status of the unit (wait, ready or interference).
- Displays the selected mode of the unit (peak, hold or mute).
- Annunciates and displays fault conditions of the unit.
- Displays accumulated sensor hours on request.
- Low battery Indicator

Probe:

- Intelligent tip, with environment sensing element to eliminate the potential of false alarms.
- Flexible 15.5 inch (39.3 cm) probe length for difficult to reach locations.

Keypad Controls:

- ON/OFF button (push-on/push-off)
- Volume/Mute button (high, low or mute)
- Sensitivity button for High, Medium and Low sensitivity level selection
- Hold button to hold the signal bars (push enable/disable)
- Peak button when multiple leaks are suspected (push enable/disable)

POWERING THE UNIT ON

Momentarily depress the center ON/OFF button on the keypad. Upon receiving the ON command, the following information appears on the LCD screen:

- All the vertical bars become lighted.
- The red WAIT legend begins to blink.
- Either an A or an F appears on the screen, depending on the refrigerant detected.

PLEASE NOTE:

- *When working with most CFCs, HFCs, and HCFCs you will want to be in the A mode*
- *When working with hard to detect gases such as R1234yf, R407C or simply to heighten sensitivity levels beyond normal settings use the F mode. Please note that F mode will be too sensitive in most applications so only use this mode in extreme cases.*
- As the sensor heats up, the vertical bars begin to extinguish one at a time until all bars are extinguished.
- When this occurs, the red WAIT legend disappears and a green READY legend appears.
- The unit begins “beep” unless it is muted, in which case, the legend MUTE will appear on the LCD.
- The unit will start in the low sensitivity range everytime at power up.

BATTERY PRESERVATION FEATURE

An automatic timer shuts off the unit after 3 minutes of inactivity. The timer is reset whenever the unit alarms or when any key is depressed.

SELECTING A DIFFERENT SENSITIVITY LEVEL

Press the SENSITIVITY button on the keypad to change the sensitivity setting of the unit.

SELECTING A DIFFERENT REFRIGERANT SENSITIVITY

To change the refrigerant from A to F mode or vice versa, press and hold the PEAK keypad button until the refrigerant shown on the LCD changes. Within a few seconds, the unit will shut itself off. When this occurs, depress the ON keypad button to turn the unit back on. The unit will begin its normal power-up sequence. The selected refrigerant sensitivity will remain in memory when the unit is turned off.

SELECTING THE HOLD FEATURE

To enable the HOLD feature, momentarily depress the HOLD keypad button. The LCD will display an H legend to indicate that the hold feature is enabled.

The HOLD feature was implemented for the purpose of allowing the user to search for leaks in hard to reach locations. This feature retains the relative magnitude of a detected leak on the LCD for an indefinite period of time or until another leak is detected, in which case, the previous leak display is erased and the new leak is displayed on the LCD. When the HOLD button is depressed again, the unit will exit the hold mode and resume normal operation.

SELECTING THE PEAK FEATURE

To enable the Peak feature, momentarily depress the PEAK keypad button. The LCD will display the word PEAK and all the vertical bars will be outlined in white

The PEAK feature was implemented for the purpose of identifying the largest leak in a system with multiple leaks. When the first leak is detected, the last vertical bar will remain lighted after the alarm takes place. The next time a leak is detected, if the detected leak was smaller than the first detected leak, the original last vertical bar will remain. If another leak is detected, but this leak exceeded the first leak, the last vertical bar of the larger leak will become lighted. If a detected leak lights up all the bars, this is an indication that the sensitivity of the unit should be decreased. To exit the PEAK mode, momentarily depress the PEAK keypad button.

TO CHANGE THE VOLUME

The VOLUME keypad button controls the normal and low volumes of “beep” tones and mutes the tones. Each time the VOLUME keypad is depressed, the LCD communicates to the user the state of the volume control. If the normal volume is selected, the LCD will momentarily display 10 vertical bars. If the low volume has been selected, the LCD will momentarily display 5 vertical bars. When MUTE is selected, the LCD will display the MUTE legend. When the unit is in MUTE, only the “beep” tones are muted, the alarms will continue to annunciate at the normal level whenever a leak is detected.

MAINTENANCE

To Install or Replace the Alkaline Batteries

Remove the battery cover as shown in Figure 1 and remove the existing batteries. It may be beneficial to turn the unit vertically and shake out both batteries. Install two D size alkaline

batteries with the polarities shown in Figure 1. Re-install the battery cover and secure with the cover screw.

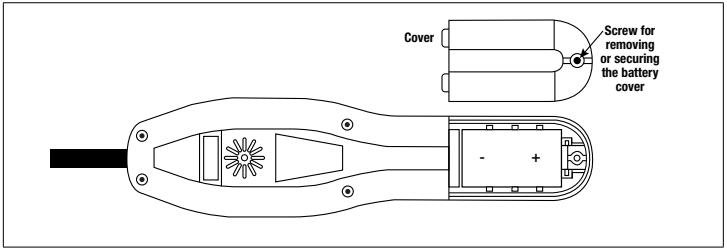


Figure 1

Replacing the Sensor

To replace the sensor, firmly grasp the flexible probe near the end with one hand and use the other hand to unscrew the nozzle portion from the threaded probe tip in a counter-clockwise direction. Next, remove the metal washer, the rubber washer and the sensor in that order. Observe the orientation of the key on the sensor being removed. It would be advisable to replace the filter inside the nozzle at the same time. To remove the microfiltration membrane from inside the nozzle, the assistance of a long thin object such as an o-ring pick or equivalent will be required.

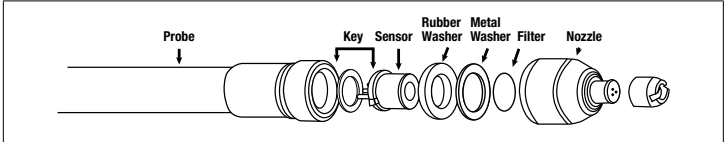


Figure 2

When installing a new sensor, orient the tab key on the sensor with the keys slot on the probe, making certain that the 3 pins of the sensor are inserted into the appropriate pins inside the probe end. Verify that the sensor has been properly inserted into the probe. Next install the rubber washer as shown in Figure 2, followed by the metal washer. Insert new filter and screw on the nozzle while firmly holding the probe end with the other hand. **DO NOT USE ANY TOOLS** in tightening the tip assembly, firmly hand tighten only.

Leak Test Vial

A leak test vial is supplied with your leak detector to verify that the leak detector is operating correctly.

1. Turn the leak detector ON and wait until the unit completes its warm-up sequence. A green READY will be displayed on the LCD and the audible "beep" will begin, unless muted. Set the sensitivity level to MEDIUM.
2. Remove the vinyl cap from the vial to expose the small leak hole as shown in Figure 3A below. **DO NOT UNTWIST THE BLACK CAP FROM THE BOTTLE.**

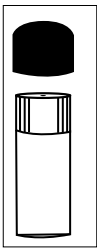


Figure 3A

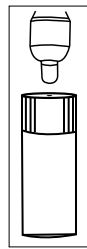


Figure 3B

3. Place the probe tip close to the small hole (3 - 4 mm) on the leak test vial for no more than 3 seconds, as shown in Figure 3B, until an audible alarm is generated. This will be an indication that the unit is operating properly.

NOTE: Any duration longer than 3 seconds will saturate the sensor. See precautions below.

Reseal the vial with the previously removed vinyl cap and return to the case.

PRECAUTION!

If the test vial is held in close proximity of the probe tip for an extended period of time, the probe sensor can saturate. The leak detector will interpret this as a contaminated atmosphere associated with a large refrigerant leak.

This precaution also applies when locating leaks. Refer to **Quick Start Tips On How To Find Leaks**, step #2 for further clarification.

When this occurs, the letters CL will appear on the screen and a flashing WAIT will be displayed for several seconds, while the leak detector is re-calibrating itself to the new environment. This process may take several seconds to complete. A green READY light will appear on the display, alerting the user that the unit is ready for use.

If the above precaution is not followed, CA (contaminated atmosphere) may appear on the display, after a self-calibration process. The unit can be used to detect leaks provided the READY legend appears on the display. The CA indication will eventually disappear when the unit returns to a non-contaminated environment and undergoes a self-calibration process.

Manual Calibration

The unit will continually self adjust its operation in order to detect leaks at an optimum level. When it does this a 'CL' will flash in the display, the wait indicator will turn on and the ready light will be off for a few seconds until this operation is completed.

The unit is also designed to detect leaks in the presence of a background contamination. In order for the unit to make the determination that there is a contaminated atmosphere, it must have stored data for the sensor in absolute clean air. This data is determined at production and stored in memory.

If a sensor is replaced or if the unit displays 'CA' when the operator is 100% confident that there is no contaminate in the air*, then a manual calibration can be performed by the following sequence. Hold down the MUTE key simultaneously with the Peak key until a "CL" is displayed along with a white outline of all the bar symbols. This procedure can take up to a minute or two. This will store a new set of clean air data into the unit. This new data will now be used each time the unit is powered up.

*Beside HFC's, contaminated air can also be caused by the presence of other contaminants such as alcohol, perfumes, hand sanitizers etc. The manual calibration should be done in a very clean environment such as outdoors.

QUICK START TIPS ON HOW TO FIND LEAKS



A sudden whipping action of the probe or blowing into the sensor may cause the leak detector to false alarm. Electronic sensors are incorporated into the product to detect such activity and to reduce and minimize such false alarm. In the event such interference is detected, the LCD will display a flashing INT (interference) legend momentarily then normal operation can resume after the READY legend appears.

1. When starting the search for leaks, without a general knowledge of the magnitude of the leak, set the instrument sensitivity to LOW. The LOW sensitivity will enable the unit to locate medium as well as large size leaks.
2. Slowly move the probe approximately 3/8 inch (9 mm) above the areas of suspected leaking. Move the probe past the leak to allow the probe to clear if a leak is detected. Do not hold the probe at the site of a leak. Return the probe to the same area where a leak was detected for verification.
3. In the event no leaks were found with a LOW sensitivity setting, increase the sensitivity to MEDIUM and repeat step (2) above.
4. For locating extremely small leaks 0.1 oz/yr (2.8 grams) or less, the HIGH sensitivity scale should be used. Due to the extremely small leak size, the tip of the probe should be moved as close to the surface as possible (without physically touching any object). Physical touching of an object will be detected by the probe sensors resulting in a brief INT (interruption) in the detector.
5. When probing for a leak in a contaminated environment, the sensor will detect the contaminated area and will automatically adjust for the new conditions. The LCD will display CA (contaminated atmosphere) on the screen, after going through the re-calibration process which will take approximately one minute to complete. During the re-calibration process, all vertical bars become lighted and sequence down until all bars are extinguished. At that point, the READY light comes on and the leak detection process can continue.

TROUBLESHOOTING GUIDE

With the exception of batteries and the sensor, the internal parts of the 55800 are not field serviceable. If you experience an issue with the product, refer to the troubleshooting table below.

ISSUE	PROBABLE CAUSE	SOLUTION
The unit will not power up	1) Batteries are not installed	Install new batteries. Follow instructions on page 3.
	2) Batteries are installed improperly	Check battery installation polarity on page 3.
The unit powers up briefly then shuts OFF	Batteries are very weak	Install new batteries. Follow instructions on page 3.
The unit alarms continuously without stopping	The area is contaminated or there are contaminants nearby	First reduce the sensitivity of the unit. If the unit still alarms in the lowest sensitivity, turn unit off. Clean the area of contaminants and try again.
E2 Code Appears on LCD	Clogged tip or fan not working	Unscrew probe tip, remove filter from inside with an o-ring pick and blow shop air through the small holes in the tip. Re-assemble probe assy and check unit. If problem continues, return unit to place where purchased.
E8 Code Appears on LCD	Bad Sensor	Replace sensor follow instructions on page 4.*
E9 Code Appears on LCD	Missing Sensor	Replace sensor follow instructions on page 4.*

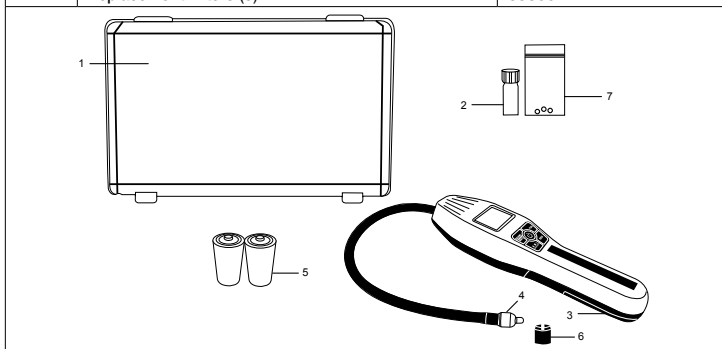
*Power down the unit and retry power up several times.

REPLACEMENT PARTS

Replacement parts and accessories for the 55800 Leak Detector are available through the same dealer from whom you purchased the instrument or from Mastercool Inc.

REF. #	DESCRIPTION	MC PART #
1.	Blow Molded Plastic Box	55800-PB
2.	Leak Test Vial	55800-VL
3.	Battery Cover	55800-BATCOV
4.	Sensor	55800-SEN

5.	2 "d" Batteries	55800-BAT2D
6.	Sensor Protector	55100-10042
7.	Replacement Filters (3)	55800-FILTER



WARRANTY AND LIABILITY

Mastercool Inc. warrants your 55800 Refrigerant Leak Detector to be free from defects of material and workmanship for a period of 1 year from the date of purchase. Mastercool Inc. does not warrant items that deteriorate under normal use, including batteries, sensor and filter. In addition, Mastecool Inc. does not warrant product that shows evidence of misuse. Any evidence of accident, unauthorized repair or alteration shall also void the stated warranty.

Mastercool's liability is limited to the product returned to Mastercool, transportation prepaid, not later than 30 days after the warranty expires and which Mastercool determines to have malfunctioned because of material or workmanship defects. Mastercool's liability is limited as an option to repairing or replacing the defective product or part.

⚠ WARNING: This product can expose you to chemicals including Di (2-ethylhexyl) phthalate, lead and lead compounds, which are known to the State of California to cause cancer and birth defects or other reproductive harm. For more information go to www.P65Warnings.ca.gov

PRODUKTÜBERSICHT

Sie haben einen intelligenten elektronischen Lecksucher, Modell 55800, erstanden. Das Herzstück dieses fortschrittlichen Lecksuchers bildet ein neuer Metalloxidgassensor mit niedrigem Energieverbrauch und mit größeren Leistungsmerkmalen, verglichen mit anderen Geräten der Konkurrenz, die weiterhin Sensoren früherer Generationen nutzen. Der neue Sensor wird durch die hohe Empfindlichkeit und das schnelle Ansprechverhalten beim Aufspüren des Vorkommens ausgesprochen kleiner Mengen von Kältemitteln und brennbaren Gasen. Aus diesem Grund wurde der Sensor gewählt und in den 55800 Lecksucher integriert.

Zusätzlich haben wir einen leistungsstarken Mikroprozessor in das Design integriert, der automatisch die beste Betriebsbedingung für den Sensor wählt, um über die gesamte Lebensdauer des Sensors optimale Leistung zu gewährleisten. Ab dem Augenblick, ab dem das Gerät eingeschaltet wird, ist ein schnelles Start-up-Aufwärmprogramm integriert, um das Sensorelement in weniger als einer Minute betriebsbereit zu stellen. Während dieser Zeit, werden eine Diagnoseprüfung durchgeführt und andere kritische Parameter geprüft. Wurden die richtigen Bedingungen erkannt, aktiviert der Prozessor die READY-Meldung auf der LCD-Anzeige und startet den hörbaren Piepton des Geräts, vorausgesetzt, die Stummschaltung wurde nicht aktiviert.

Nun interagiert der Prozessor weiter mit dem Bediener durch Anzeige der über die Tastatur erhaltenen Befehle und führt diese, so wie die Selbstdiagnoseprüfung an kritischen Elementen, jede Sekunde mehrfach, durch, wobei der fortwährende Betrieb des Produkts gewährleistet und beibehalten wird. Jede Abweichung der kritischen Parameter von den normalen festgelegten Designlimits, wie abweichende Bedingungen, wird für den Bediener hör- und sichtbar gemacht, mithilfe des fortschrittlichen und bedienerfreundlichen LCD-Farbdisplays.

Weitere dienliche Features werden nachfolgend in dieser Bedienungsanleitung angeführt und diskutiert.



WARNUNG

Dieses Symbol soll den Bediener im Falle wichtiger Bedienungs-, Wartungs- und Serviceanweisungen in der dieses Produkt begleitenden Literatur hinweisen.

WICHTIGE LEITLINIEN

Die folgenden SAE Richtlinien finden bei diesem Gerät und dem Gebrauch allgemein verfügbarer Lecksuchverfahren, bei der Wartung von Klimasystemen in Fahrgasträumen, Anwendung.

1. Der 55800 Lecksucher, ist entsprechend den Bedienungsanweisungen der Ausstattungshersteller zu verwenden.
2. Leckprüfung mit dem Gerät ausgeschaltet.
3. Das gesamte Kühlsystem einer Sichtkontrolle unterziehen und auf Zeichen einer Kältemittel-Leckage, Beschädigung und Korrosion an den Leitungen, Schläuchen und Komponenten unterziehen. Jeder bedenkliche Bereich muss sorgfältig mit dem Lecksucher geprüft werden, ebenso, wie die Fittings, Schlauch-Leitungsanschlüsse und Kältemittelregelungen. Wartungsanschlüsse mit Schutzkappen, gelötete oder geschweißte Bereiche und Bereiche um die Anschlussstellen, sowie Haltevorrichtungen an Leitungen und Komponenten. Sollte nach einem scheinbar größeren Leck gesucht werden, verwenden Sie zuerst die mittlere 7g/yr oder niedrige 14 g/yr Empfindlichkeitseinstellung zur Prüfung.
4. Dem Verlauf des Kühlsystems kontinuierlich folgen, so dass kein Bereich eines möglichen Lecks übersehen werden kann. Auch, wenn das Leck gefunden wurde, ist das verbleibende System zu prüfen.
5. Die Versorgungsventile mit entfernten Kappen erneut prüfen. Die Versorgungsventile mit Druckluft anblasen, um den unmittelbaren Bereich zu säubern und dann mit der Lecksuchereinstellung 7 g/yr (0.25 oz/yr) mittlere Empfindlichkeit prüfen.
6. Den Detektor nicht mehr als 75 mm/sec (3 in/sec) und so nah wie möglich an 9.3 mm (38/ in) von der Oberfläche bewegen, wobei jede Prüfposition komplett eingekreist wird (Schalter, Sensor, Kältemittel-Schlauchanschlüsse, usw.).
7. Langsame Bewegungen und ein nahes Herangehen der Prüfspitze, erhöht die Wahrscheinlichkeit, eine Leckage zu finden. Jedoch sind Detektoren erforderlich, um diesen Standard zu erfüllen, die an der Luft tariert sind und eine Leckage aus einer Entfernung von 9.5 mm (3/8 in) ausmachen. Darum ist bei der empfindlichsten Einstellung eine erneute Prüfung ratsam, wenn ein Leck gefunden wird, insbesondere, wenn die Prüfspitze in einer statischen Position auf einem Anschlussstück war, bzw. mit einem Anschlussstück während der Bewegung in Berührung kam. An einem Ort mit einer sich bewegenden Prüfspitze wiederholen, wobei ein schmaler Spalt (9.5 mm oder 3/8 in) beibehalten wird, um sicherzustellen, dass das Leck in einer reparierbaren Größe ist. Unter Verwendung einer mittleren Empfindlichkeitseinstellung von 7 g/yr (0.25 oz/yr) am Detektor, nach dem Ermitteln eines vermutlichen Lecks, kann eine Wiederholung mit der höheren Empfindlichkeitseinstellung von 4 g/yr (0.15 oz/yr) sehr hilfreich sein.

SPEZIFIKATIONEN

Messfühler:	Beheiztes Zinn-Oxid-Element
Lebensdauer des Sensors:	2000 Stunden
Kältemittel:	Findet alle Kältemittel, brennbare Gase und Hydrogen/Stickstoff Mischungen (CFC, HFC, HCFC und Mischungen) Das Gerät ist geprüft und genehmigt für Arbeit mit R1234yf, R32 und R410A.
Empfindlichkeitsgrade:	HIGH: 0.05 oz/yr (1.5 g/yr) MEDIUM: 0.25 oz/yr (7 g/yr) LOW: 0.50 oz/yr (14 g/yr)
Reaktionszeit:	Weniger als 1 Sekunde

Batterie:	2 D Alkalibatterien 12000 mAh
Lebensdauer der Batterie:	60 Stunden
Betriebstemperaturbereich:	Von -17 bis 49°C (0 bis 120°F)
Gewicht:	1 lb 8 oz (0.68 kg)
Display:	40 mm (B) x 30 mm (H), progressives Farb-LCD-Display mit 10 vertikalen Balken

EIGENSCHAFTEN

“Super Sensitive-Funktion” erlaubt das Gerät eine weitere Sensibilisierung über die Standard-Einstellungen für die Lokalisierung kleine Lecks mit Gasen wie R1234yf und R407C

Displayeigenschaften:

- Anzeige des entsprechenden Ausmaßes der erkannten Leckage
- Sichtanzeige des gewählten Empfindlichkeitsbereichs (hoch, mittel oder niedrig).
- Anzeige der Betriebsbereitschaft des Geräts (warten, bereit oder Störung).
- Anzeige des gewählten Modus des Geräts (Peak, Halten oder Mute).
- Meldung und Anzeige der Störzustände der Einheit.
- Nach Aufforderung, Anzeige der angefallenen Sensorstunden.
- Anzeige für verbrauchte Batterien

Prüfspitze:

- Intelligente Spitze mit Element zur Umgebungserfassung, um die Möglichkeit falscher Alarme zu eliminieren.
- Flexibler 15.5 Zoll (39.3 cm) Prüfspitzenlänge, zum Erreichen schwieriger Bereiche.

Tastatursteuerungen:

- ON/OFF-Knopf (ein-/ausschalten)
- Lautstärke/Mute-Knopf (laut, leise oder stumm)
- Empfindlichkeits-Knopf für die Empfindlichkeitsauswahl Hoch, Mittel und Niedrig
- Halten-Knopf, zum Anhalten der Signalanzeige (aktivieren/deaktivieren)
- Peak-Taste, wenn mehrere Leckagen vermuten werden (aktivieren/deaktivieren)

EINSCHALTEN DES GERÄTS

Kurz in die Mitte des ON/OFF-Knopfes auf der Tastatur herunterdrücken. Nach Erhalt des ON-Befehls, erscheinen die folgenden Informationen auf der

LCD-Anzeige:

- Alle vertikalen Balken leuchten auf.
- Die rote WAIT-Anzeige beginnt zu blinken.
- Es erscheint entweder ein A oder ein F auf der Anzeige, abhängig von dem Kältemittel, das detektiert wird.

BITTE BEACHTEN SIE:

- *Bei Arbeiten mit den meisten FCKW, H-FKW, H-FCKW sollten Sie in den A-Modus arbeiten.*
- *Bei der Arbeit mit schwer zu finden Gasen wie R1234yf, R407C, oder einfach um die Empfindlichkeitsstufen zu erhöhen über die normalen Einstellungen, verwenden Sie die F-Modus. Bitte beachten Sie, dass F-Modus wird in den meisten Anwendungen zu empfindlich ist, so verwenden Sie nur diesen Modus in extremen Fällen.*
- Wenn der Sensor aufheizt, beginnen die vertikalen Balken nach und nach zu verschwinden, bis zu ihrem vollkommenen Verschwinden.
- Während dessen verlischt die rote WAIT-Anzeige und eine grüne READY-Anzeige erscheint.
- Das Gerät gibt einen Piepton aus, sofern es nicht stummgeschaltet ist. In diesem Fall erscheint die MUTE-Anzeige auf dem LCD.
- Die Einheit startet immer dann, wenn es eingeschaltet wird, im niedrigen Empfindlichkeitsbereich.

BATTERIEBEHANDLUNGSFUNKTION

Ein automatischer Timer schaltet das Gerät nach 3 Minuten Inaktivität aus. Der Timer wird zurückgesetzt, wenn das Gerät einen Alarm ausgibt oder wenn eine Taste gedrückt wird.

AUSWAHL EINER ANDEREN EMPFINDLICHKEITSEINSTELLUNG NIVEAU

Die Taste für die EMPFINDLICHKEIT auf der Tastatur drücken, um die Empfindlichkeitseinstellungen des Geräts zu ändern.

AUSWAHL EINES ANDEREN KÄLTEMITTELS EMPFINDLICHKEIT

Zum Ändern des Kältemittels von A auf F Modus, oder umgekehrt, die PEAK-Taste drücken und halten, bis dass das Kältemittel in der LCD-Anzeige gezeigte Kältemittel geändert wird. Innerhalb einiger Sekunden schaltet sich das Gerät selbst ab, um das neue Kältemittel zu speichern. In diesem Fall die ON-Taste drücken, um das Gerät wieder einzuschalten. Das Gerät beginnt mit der normalen Hochfahrsequenz. Das gewählte Kältemittel bleibt im Speicher, wenn das Gerät abgeschaltet wird.

AUSWAHL DER HALTEFUNKTION

Um die HOLD-Funktion zu aktivieren, kurz die HOLD-Taste drücken. Die LCD-Anzeige zeigt ein H an, um anzuzeigen, dass die Haltefunktion aktiviert wurde. Die HOLD-Funktion wurde zu dem Zweck integriert, um dem Bediener nach Leckagen in schwer zu erreichenden Bereichen zu suchen. Diese Funktion behält das entsprechende Ausmaß einer erkannten Leckage auf der LCD-Anzeige so lange bei, bis dass eine weitere Leckage erkannt wurde. In diesem Fall wird die zuvor erkannte Leckage gelöscht und die neue Leckage auf der LCD-Anzeige angezeigt. Wird die HOLD-Taste wieder gedrückt, verlässt das Gerät den Haltemodus und kehrt zum normalen Betrieb zurück.

AUSWAHL DER PEAK-FUNKTION

Um die Peak-Funktion zu aktivieren, kurz die PEAK-Taste drücken. Die LCD-Anzeige zeigt das Wort PEAK an und alle vertikalen Balken werden in Weiß umrissen.

Die PEAK-Funktion wurde zu dem Zweck integriert, die größeren Leckagen in einem System mit

mehreren Leckagen zu erkennen. Wurde die erste Leckage erkannt, leuchtet der letzte vertikale Balken auf, nachdem der Alarm erfolgte. Wird erneut eine Leckage erkannt und die erkannte Leckage ist kleiner, als die erste, bleibt der ursprüngliche letzte vertikale Balken bestehen. Wird eine weitere Leckage erfasst, die jedoch größer als die erste ist, leuchtet der letzte vertikale Balken der größeren Leckage auf. Bringt eine erkannte Leckage alle Balken zum Leuchten, ist dies ein Zeichen dafür, dass die Empfindlichkeit der Einheit herabgesetzt werden sollte. Um die PEAK-Funktion zu aktivieren, kurz die PEAK-Taste drücken.

ÄNDERUNG DER LAUTSTÄRKE

Die VOLUME- Taste steuert die normale und die niedrige Lautstärke der Pieptöne und stellt diese stumm. immer, wenn die VOLUME-Taste gedrückt wird, teilt die LCD-Anzeige dem Bediener den Zustand der Lautstärkesteuerung mit. Wurde die normale Lautstärke gewählt, zeigt die LCD-Anzeige kurz 10 vertikale Balken an. Wurde die niedrige Lautstärke gewählt, zeigt die LCD-Anzeige kurz 5 vertikale Balken an. Wurde MUTE gewählt, zeigt das Display die MUTE-Anzeige an. Ist das Gerät im MUTE-Modus, werden nur die Pieptöne stummgeschaltet, die Alarme melden weiterhin auf normalem Level, wenn eine Leckage erkannt wurde.

WARTUNG

Einsetzen oder Austausch der Alkalibatterien

Die Batterieabdeckung wie in Abb. 1 abnehmen und die vorhandenen Batterien entfernen. Es kann förderlich sein, das Gerät senkrecht zu halten und die beiden Batterien herauszuschütteln. Zwei Alkalibatterien in der Größe D einlegen, dabei die Polarität wie in Abb. 1 befolgen. Die Batterieabdeckung wieder einsetzen und mit der Schraube der Abdeckung sichern.

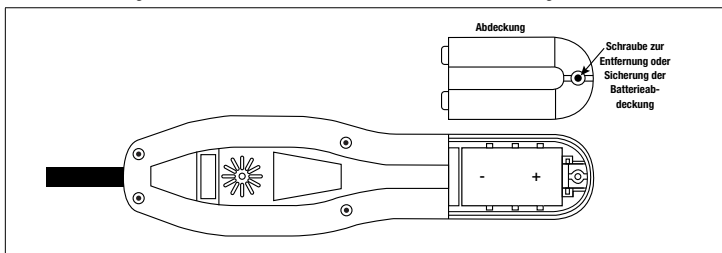


Abbildung 1

Sensor ersetzen

Um den Sensor auszutauschen, die flexible Prüfspitze mit einer Hand in der Nähe des Endes fassen und die andere Hand zum Lösen der Düse, entgegen dem Uhrzeigersinn, von der Gewinde-Prüfspitze zu nutzen. Anschließend die Metallscheibe, die Kunststoffscheibe und den Sensor in dieser Reihenfolge entfernen. Beachten Sie die Orientierung des Passstückes auf dem Sensor während des Entfernens. Es ist ratsam, gleichzeitig den Filter in der Düse auszutauschen. Um die Mikrofiltermembran in der Düse zu entfernen, ist ein langer dünner Gegenstand, so wie ein O-Ring-Entnahmewerkzeug o.ä. erforderlich.

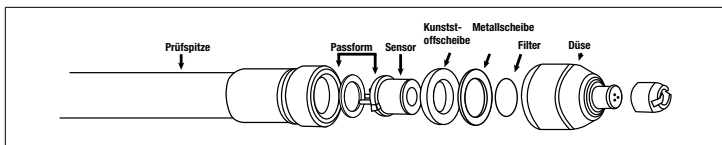


Abbildung 2

Bei der Installation eines neuen Sensors, das Passstück auf dem Sensor in der Nut der Passform an der Prüfspitze ausrichten, wobei sicherzustellen ist, dass die 3 Pins des Sensors in den entsprechenden Pins am Ende der Prüfspitze sitzen. Prüfen, ob der Sensor richtig in die Prüfspitze eingesetzt wurde. Anschließend die Kunststoffscheibe wie in Abb. 2 einsetzen, gefolgt von der Metallscheibe. Den neuen Filter einsetzen und an die Düse schrauben, wobei das Ende der Prüfspitze mit der anderen Hand zu halten ist. Zum Anziehen der Spitze KEINE WERKZEUGE BENUTZEN, sondern nur von Hand festziehen.

Leckstellen-Prüfphiole

Im Lieferumfang Ihres Lecksuchers ist eine Dichtheitsprüfflasche enthalten, um sicherzustellen, dass der Lecksucher ordnungsgemäß funktioniert.

1. Schalten Sie den Lecksucher ein und warten Sie, bis das Gerät seine Aufwärmsequenz abgeschlossen hat. Ein grünes READY wird auf dem LCD angezeigt und der akustische "Piepton" wird gestartet, es sei denn, er ist stummgeschaltet. Stellen Sie die Empfindlichkeit auf MEDIUM ein..
2. Entfernen Sie die Vinylkappe von der Prüfphiole, um das kleine Leckloch freizulegen, wie in Abbildung 3A unten gezeigt. **ENTFERNEN SIE DIE SCHWARZE KAPPE NICHT VON DER PHIOLE.**

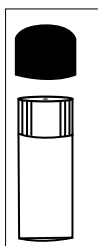


Figure 3A

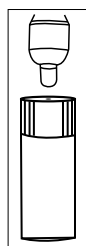


Figure 3B

3. Platzieren Sie die Sondenspitze, wie in Abbildung 3B gezeigt, nicht länger als 3 Sekunden in der Nähe des kleinen Lochs (3 - 4 mm) der Prüfphiole, bis ein akustischer Alarm ausgelöst wird. Dies ist ein Hinweis darauf, dass das Gerät ordnungsgemäß funktioniert. HINWEIS: Bei

einer Dauer von mehr als 3 Sekunden wird der Sensor gesättigt. Siehe Vorsichtsmaßnahmen unten.

Verschließen Sie die Prüfphiole mit der zuvor entfernten Vinylkappe und kehren die zum Gehäuse zurück.

VORSICHT!

Wenn die Prüfphiole über einen längeren Zeitraum in unmittelbarer Nähe der Sondenspitze gehalten wird, kann der Sondensensor sättigen. Der Lecksucher interpretiert dies als eine kontaminierte Atmosphäre, die mit einem großen Kältemittelverlust verbunden ist.

Diese Vorsichtsmaßnahme gilt auch bei der Ortung von Lecks. Weitere Informationen finden Sie im Abschnitt Quick Start Tipps zum Finden von Lecks, Schritt 2. Wenn dies geschieht, erscheinen die Buchstaben CL auf dem Bildschirm und ein blinkendes WAIT wird einige Sekunden lang angezeigt, während sich der Lecksucher auf die neue Umgebung neu kalibriert. Dieser Vorgang kann mehrere Sekunden dauern. Auf dem Display erscheint eine grüne READY-Lampe, die den Benutzer darauf hinweist, dass das Gerät betriebsbereit ist.

Wenn die obige Vorsichtsmaßnahme nicht befolgt wird, kann CA (kontaminierte Atmosphäre) nach einer Selbstkalibrierung auf dem Display erscheinen. Das Gerät kann zur Erkennung von Lecks verwendet werden, sofern die READY-Legende auf dem Display erscheint. Die CA-Anzeige wird schließlich verschwinden, wenn das Gerät in eine nicht kontaminierte Umgebung zurückkehrt und einen Selbstkalibrierungsprozess durchläuft.

Manuelle Kalibrierung

Das Gerät justiert kontinuierlich seine Funktion, um Lecks auf einem optimalen Niveau zu erkennen. Wenn dies der Fall ist, blinkt ein "CL" in der Anzeige, die Warteanzeige leuchtet auf und die Bereitschaftslampe ist für einige Sekunden ausgeschaltet, bis dieser Vorgang abgeschlossen ist.

Das Gerät ist auch so ausgelegt, dass bei Vorhandensein einer Hintergrundkontamination Lecks erkannt werden. Damit das Gerät feststellen kann, dass eine kontaminierte Atmosphäre vorhanden ist, muss es Daten für den Sensor in absolut sauberer Luft gespeichert haben. Diese Daten werden bei der Produktion ermittelt und im Speicher gespeichert.

Wenn ein Sensor ausgetauscht wird oder das Gerät "CA" anzeigt, wenn der Bediener zu 100% sicher ist, dass keine Verunreinigungen in der Luft * vorhanden sind, kann eine manuelle Kalibrierung in der folgenden Reihenfolge durchgeführt werden. Halten Sie die MUTE-Taste gleichzeitig mit der Peak-Taste gedrückt, bis ein "CL" zusammen mit einer weißen Kontur aller Balkensymbole angezeigt wird. Dieser Vorgang kann bis zu einer Minute oder zwei dauern. Dadurch wird ein neuer Satz von Frischluftdaten im Gerät gespeichert. Diese neuen Daten werden jetzt bei jedem Einschalten des Geräts verwendet.

* Neben HFCs kann kontaminierte Luft auch durch das Vorhandensein von anderen Kontaminanten wie Alkohol, Parfums, Händedesinfektionsmitteln usw. verursacht werden. Die manuelle Kalibrierung sollte in einer sehr sauberen Umgebung wie im Freien durchgeführt werden.

SCHNELLSTART-TIPPS ZUM FINDEN VON LECKAGEN

Eine plötzliche peitschenartige Bewegung der Spitze, oder ein Pusten in den Sensor, können beim Lecksucher falsche Alarmer lösen. In das Produkt sind elektronische Sensoren integriert, um solche Bewegungen zu erkennen und falsche Alarmer zu reduzieren. Sollten solche Störungen erkannt werden, zeigt das Display kurz ein blinkendes INT (Interference/Störung). Anschließend kann der Normalbetrieb nach dem Erscheinen der READY-Anzeige wieder aufgenommen werden.



1. Wird mit der Lecksuche begonnen, ohne Kenntnisse über das Ausmaß der Leckage zu haben, ist die Empfindlichkeit des Geräts auf LOW einzustellen. Die Einstellung LOW ermöglicht dem Gerät sowohl mittelgroße, als auch große Leckagen zu erkennen.
2. Die Prüfspitze etwa 3/8 Zoll (9 mm) über dem Bereich mit den vermuteten Leckagen bewegen. Die Prüfspitze an der Leckage vorbei bewegen, um abzuklären, ob die Leckage erkannt wurde. Die Prüfspitze nicht an die Leckagestelle halten. Zur Überprüfung die Prüfspitze wieder zum gleichen Bereich zurückbringen, wo die Leckage erkannt wurde.
3. Wurden mit der NIEDRIGEN (LOW) Empfindlichkeitseinstellung keine Leckagen gefunden, die Empfindlichkeit auf MITTEL (MEDIUM) erhöhen und o.g. Schritt (2) wiederholen.
4. Zur Feststellung extrem kleiner Leckagen 0.1 oz/yr (2.8 Gramm) oder weniger, ist die Empfindlichkeitsstufe HOCH (HIGH) zu verwenden. Aufgrund der ausgesprochen kleinen Leckagegröße, muss die Prüfspitze so nah wie möglich an die Fläche gebracht werden (ohne ein Objekt zu berühren). Das Berühren eines Objekts wird von den Sensoren der Prüfspitze erkannt und führt zu einer kurzen INT (Unterbrechung) im Detektor.
5. Bei der Prüfung auf Leckagen in einer kontaminierten Umgebung, erfasst der Sensor die kontaminierte Umgebung und passt sich automatisch den neuen Bedingungen an. Das LCD zeigt CA (kontaminierte Luft) auf der Anzeige nach dem Durchlauf des Neukalibrierungsvorgangs an, die etwa eine Minute dauert, bis zu ihrer Vervollständigung. Während des Neukalibrierungsvorgangs leuchten alle vertikalen Balken auf und werden dann sequentiell abgeschaltet, bis alle Balken verlöschen. Nun leuchtet die READY-Anzeige auf und der Lecksuchvorgang kann beginnen.

ORIENTIERUNGSHILFE FÜR DIE FEHLERSUCHE

Mit Ausnahme der Batterien und des Sensors, sind die inneren Bauteile des 55800 nicht vor Ort wartungsfähig. Sollte es zu einem Problem mit dem Produkt kommen, siehe untenstehende Tabelle zur Fehlersuche.

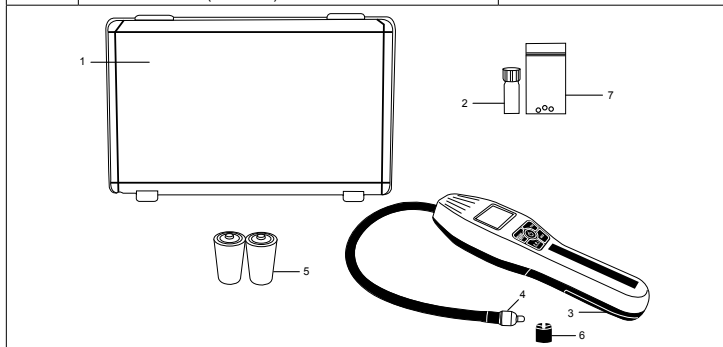
PROBLEM	WAHRSCHEINLICHE URSACHE	LÖSUNG
Das Gerät startet nicht.	1) Die Batterien sind nicht eingelegt.	Neue Batterien einlegen. Siehe Anleitung auf Seite 8
	2) Die Batterien sind nicht richtig eingelegt.	Polarität der Batterien prüfen, wie auf Seite 8 beschrieben.

Das Gerät startet kurz und schaltet sich dann wieder AUS.	Batterien schwach.	Neue Batterien einlegen. Siehe Anleitung auf Seite 8.
Das Gerät gibt ohne Unterbrechung Fehlermeldungen aus.	Der Bereich ist kontaminiert, oder es befinden sich kontaminierende Stoffe in der Nähe.	Erstens reduzieren Sie die Empfindlichkeit des Gerätes. Wenn das Gerät in der niedrigsten Empfindlichkeit noch reagiert, schalten Sie es aus. Reinigen Sie den Bereich von Verunreinigungen und versuchen Sie es erneut.
Der E2 Code erscheint auf dem LCD.	Verstopfte Spitze oder Lüfter arbeitet nicht.	Die Prüfspitze abschrauben, den Filter mit einem O-Ring-Entnahmewerkzeug herausnehmen und Druckluft durch die kleinen Öffnungen in der Spitze pusten. Die Spitze wieder zusammenbauen und das Gerät prüfen. Wenn das Problem bestehen bleibt, das Gerät zur Verkaufsstelle zurücksenden.
Der E8 Code erscheint auf dem LCD.	Sensor nicht in Ordnung.	Den Sensor austauschen, siehe Anleitung auf Seite 8.*
Der E9 Code erscheint auf dem LCD.	Sensor fehlt.	Den Sensor austauschen, siehe Anleitung auf Seite 8.*
*Das Gerät abschalten und mehrmals versuchen einzuschalten.		

ERSATZTEILE

Ersatzteile und Zubehör für die 55800-Lecksucher sind durch die gleichen Händler, bei dem Sie das Gerät gekauft haben, erhältlich.

REF. #	BESCHREIBUNG	MC TEIL #
1.	BLASGEFORMTES KUNSTSTOFFGEHÄUSE	55800-PB
2.	LECKSTELLEN-PRÜFPHIOLE	55800-VL
3.	BATTERIEABDECKUNG FÜR 55800 LECKSUCHER	55800-BATCOV
4.	Sensor	55800-SEN
5.	2 "D" Batterien	55800-BAT2D
6.	SENSORSCHUTZ	55100-10042
7.	ERSATZTEILSET(3 FILTER)	55800-FILTER



GEWÄHRLEISTUNG UND HAFTUNG

Mastercool gewährleistet, dass Ihr 55800 Kältemittel-Lecksucher, über einen Zeitraum von 1 Jahren ab Kaufdatum, frei von Verarbeitungs- und Materialschäden ist. Normale Verschleißteile, einschließlich Batterien, Sensoren und Filter, fallen nicht unter die Garantie. Ebenso Produkte, die Anzeichen von unsachgemäßem Gebrauch aufweisen, unterliegen nicht der Gewährleistung. Bei jeglichem Hinweis auf versehentliche, unzulässige Reparatur oder Veränderungen, verliert der Garantieanspruch.

Haftung des Mastercool auf das Produkt beschränkt sich auf die zurückgeschickte Geräte unter Vorauszahlung, nicht später als 30 Tage nach Ablauf der Garantie, und die Mastercool auf eine Fehlfunktion bestimmt hat wegen Material-oder Verarbeitungsfehler. Haftung des Mastercool wird als Option beschränkt auf die Reparatur oder Austausch des fehlerhaften Produkt oder Teil.

⚠️ WARNUNG: Dieses Produkt kann Ihnen Chemikalien einschließlich Blei und Di (2-ethylhexyl) phthalat aussetzen, die dem Staat Kalifornien bekannt sind, um Krebs und Geburtsfehler oder andere Fortpflanzungsschäden zu verursachen. Weitere Informationen finden Sie unter www.P65Warnings.ca.gov

VUE D'ENSEMBLE DU PRODUIT

Vous avez acheté un détecteur de fuite électronique intelligent, modèle 55800. Au cœur de ce détecteur de fuite évolué se trouve un nouveau capteur de gaz à oxyde métallique à faible puissance avec des propriétés de performances supérieures à celles d'autres appareils concurrentes qui utilisent encore des capteurs de générations plus anciennes. Le nouveau capteur est caractérisé par une haute sensibilité et une réponse rapide à la détection de la présence de niveaux extrêmement réduits de réfrigérants et de gaz inflammables. Pour cette raison, ce capteur a été sélectionné et intégré dans le détecteur de fuite 55800.

De plus, nous avons intégré dans le design un puissant microprocesseur qui sélectionne automatiquement la meilleure condition de fonctionnement pour que le capteur garantisse une performance optimale durant toute la vie utile du capteur. Dès l'instant où l'appareil est initialement mis en marche, un programme de chauffage de démarrage accéléré a été incorporé, pour préparer l'élément de détection à être prêt en une minute ou moins. Pendant ce temps, un contrôle de diagnostic du capteur est effectué et d'autres paramètres critiques sont vérifiés. Une fois que les conditions correctes sont détectées, le processeur valide la légende READY "prêt" sur l'écran LCD et déclenche le « bip » sonore sur l'appareil, à condition que la fonction silencieuse soit invalidée.

A partir de là, le processeur continue à interagir avec l'utilisateur en surveillant les commandes reçues à partir du clavier et en les exécutant, ainsi qu'en effectuant des contrôles d'autodiagnostic sur des éléments critiques plusieurs fois par seconde, garantissant et maintenant ainsi le fonctionnement continu du produit. Pour une quelconque déviation des paramètres critiques par rapport aux limites de projet normalement établies, de telles conditions anormales sont signalées à l'attention de l'utilisateur par des moyens sonores et visuels, en utilisant l'écran couleur LCD convivial et moderne.

D'autres caractéristiques avantageuses sont détaillées et traitées ultérieurement dans ce manuel d'instructions.



ATTENTION

Ce symbole est destiné à aviser l'utilisateur de la présence d'instructions importantes de fonctionnement, d'entretien ou de réparation dans la documentation accompagnant ce produit.

DIRECTIVES IMPORTANTES

1. Le détecteur de fuite 55800 devra être utilisé conformément aux instructions d'utilisation du fabricant de l'équipement.
2. Détectez visuellement, avec l'instrument éteint.
3. Suivre visuellement tout le circuit du réfrigérant et observer d'éventuels signes de fuites de lubrifiant de conditionnement d'air, de détérioration ou de corrosion sur toutes les lignes, tuyaux et composants. Chaque zone douteuse devra être soigneusement contrôlée avec la sonde du détecteur ainsi que les raccords, accouplements tuyau-ligne et les commandes de réfrigérant, les orifices de service avec couvercles installés, les zones brasées et soudées et les zones autour des points de fixation et les dispositifs de retenue sur les lignes et les composants. En cas de recherche d'une fuite apparemment plus importante, contrôler d'abord avec le réglage de sensibilité moyenne (Medium) de 7 g/an ou basse (LOW) de 14 g/an.
4. Parcourir toujours le circuit du réfrigérant suivant un trajet continu afin de ne manquer aucune zone de fuites potentielles. Si une fuite est découverte, poursuivre toujours pour tester le reste du système.
5. Revérifier les vannes de service avec les couvercles retirés. Souffler avec de l'air comprimé sur la vanne de service pour libérer la zone avoisinante et contrôler ensuite avec le détecteur réglé à la sensibilité moyenne de 7 g/an (0,25 oz/an).
6. Déplacer le détecteur à une vitesse non supérieure à 75 mm/s (3 in/sec) et le près possible de 9,3mm (3/8 in) par rapport à la surface, en encerclant complètement chaque position de test (commutateur, capteur, raccordement tuyauterie réfrigérant etc.).
7. Un mouvement plus lent et une approche plus étroite de la sonde améliorent la probabilité de découvrir une fuite. Toutefois, il est imposé que les détecteurs conçus pour satisfaire ce standard échantillonne l'air et détectent une fuite à une distance de 9,5 mm (3/8 in). Par conséquent, un nouveau test est conseillé avec le réglage le plus sensible quand une fuite semble avoir été trouvée, en particulier si la sonde était dans une position statique sur un joint ou est entrée en contact physique avec un joint alors qu'elle se déplaçait. Répéter avec un test de sonde mobile à cet endroit, en prenant soin de maintenir un écartement réduit (9,5 mm ou 3/8 in) pour confirmer que la fuite est d'une taille réparable. Il peut s'avérer très utile d'utiliser un réglage de sensibilité moyenne de 7 g/an (0,25 oz/an) sur le détecteur, après la découverte d'une fuite apparente avec le réglage de haute sensibilité de 4 g/an (0,15 oz/an).

SPECIFICATIONS

Élément détecteur:	Élément en oxyde d'étain chauffé		
Durée de vie du capteur:	2000 heures		
Réfrigérants:	Détecte tous les fluides frigorigènes, gaz combustibles et mélanges hydrogène / azote (CFC, HFC, HCFC et mélanges) L'unité a été testée et approuvée pour fonctionner Avec du R1234yf ainsi qu'avec le R32 et le R410a		
Niveaux de sensibilité:	HAUTE	0,05 oz/an (1,5 g/an)	HIGH
	MOYENNE	0,25 oz/an (7 g/an)	MEDIUM
	BASSE	0,50 oz/an (14 g/an)	LOW
Temps de réponse:	Inférieur à 1 seconde		
Batterie:	2 piles alcalines D 12000 mAh		

Durée batterie:	60 heures
Plage de température d'exercice:	-17 à 49°C (0 à 120°F)
Poids:	1 lb 8 oz (0.68 kg)
Affichage:	Écran LCD couleur progressif avec 10 barres verticales, 40mm (largeur) x 30mm (hauteur)

CARACTERISTIQUES

“Fonction Super Sensitive” permet à l'appareil de sensibiliser davantage au-delà des réglages standard pour localiser de petites fuites de fluides tels que le R1234yf et R407C.

Propriétés de l'affichage:

- Affichage de la grandeur relative des fuites détectées
- Indication visuelle de la plage de sensibilité sélectionnée (haute, moyenne ou basse).
- Affiche l'état prêt de l'appareil (attendre, prêt ou interférence).
- Affiche le mode sélectionné de l'appareil (pic, maintien ou silencieux).
- Signale et visualise des conditions de défaut de l'appareil.
- Affiche les heures cumulées de fonctionnement du capteur, à la demande.
- Indicateur batterie faible

Probe:

- Pointe intelligente, avec élément de détection d'environnement pour éliminer le risque de fausses alarmes.
- Sonde flexible de 15,5 pouces (39.3 cm) de long pour les positions difficiles à atteindre.

Commandes du Clavier:

- Touche MARCHE/ARRET (ON/OFF) (appuyer pour marche/appuyer pour arrêt)
- Touche Volume/Silencieux (haut, bas ou silencieux/hig, low or mute)
- Touche Sensibilité SENSITIVITY pour la sélection du niveau de sensibilité Haute, Moyenne et Basse
- Touche Maintien HOLD pour maintenir les barres de signal (appuyer pour valider/invalider)
- Touche Pic PEAK quand de multiples fuites sont suspectées (appuyer pour valider/invalider)

MISE EN MARCHÉ DE L'APPAREIL

Appuyer momentanément sur la touche centrale MARCHE/ARRET ON/OFF sur le clavier. A la réception de la commande MARCHE, les informations suivantes apparaissent sur l'écran LCD:

- Toutes les barres verticales deviennent lumineuses.
- La légende rouge WAIT (ATTENDRE) commence à clignoter.
- Soit un A ou un F apparaît sur l'écran, selon le réfrigérant qui est détecté.

ATTENTION:

- *Lorsque vous travaillez avec la plupart des CFC, HFC, HCFC vous voulez être dans le mode A*
- *Lorsque vous travaillez avec des réfrigérants qui sont difficiles à détecter tels que le R1234yf et R407C, ou tout simplement pour renforcer le niveaux de sensibilité au-delà des paramètres normaux, utilisez le mode F. En tout cas, notez que le mode F sera trop sensible dans la plupart des applications afin que ce mode ne soit utilisé que dans des cas extrêmes.*
- Alors que le capteur se réchauffe, les barres verticales commencent à s'éteindre l'une après l'autre jusqu'à ce que toutes les barres s'éteignent.
- Quand ceci se produit, la légende WAIT (ATTENDRE) disparaît et une légende READY (PRET) apparaît.
- L'appareil commence à émettre un “bipe” sauf s'il est en mode silencieux, auquel cas la légende MUTE (SILENCIEUX) apparaîtra sur l'écran LCD.
- L'appareil démarrera dans la plage de sensibilité basse chaque fois qu'il est allumé.

FONCTION DE CONSERVATION DE LA BATTERIE

Une minuterie automatique éteint l'unité après 3 minutes d'inactivité. La minuterie est remise à zéro chaque fois que l'unité émet une alarme ou lorsqu'une touche est enfoncée.

SÉLECTION D'UN REGLAGE DE SENSIBILITÉ DIFFÉRENT NIVEAU

Appuyer sur la touche SENSITIVITY sur le clavier pour changer le réglage de sensibilité de l'appareil.

SÉLECTION D'UN RÉFRIGÉRANT DIFFÉRENT SENSIBILITÉ

Pour changer le réfrigérant du mode A à F ou inversement, appuyer sur la touche de clavier PIC et le maintenir enfoncé jusqu'à ce que le réfrigérant indiqué sur l'écran LCD change. En quelques secondes, l'appareil s'éteindra de lui-même pour enregistrer le nouveau réfrigérant. Quand ceci se produit, appuyer sur la touche de clavier MARCHE pour rallumer l'appareil. L'appareil commencera sa séquence de mise en marche normale. Le réfrigérant sélectionné restera en mémoire quand l'appareil est éteint.

SÉLECTION DE LA FONCTION MAINTIEN (HOLD)

Pour activer la fonction HOLD (MAINTIEN), appuyer brièvement sur la touche de clavier HOLD (MAINTIEN). L'écran LCD affichera une légende H pour indiquer que la fonction de maintien est activée.

La fonction HOLD a été conçue dans le but de permettre à l'utilisateur de rechercher des fuites dans des emplacements difficiles à atteindre. Cette fonction conserve la grandeur relative d'une fuite détectée sur l'écran LCD pendant une période de temps indéterminée ou jusqu'à ce qu'une autre fuite soit détectée ; dans ce cas, l'affichage de la fuite précédente est effacé et la nouvelle fuite est visualisée sur l'écran LCD. Quand la touche HOLD est à nouveau actionnée, l'appareil quitte le mode de maintien et reprend le fonctionnement normal.

SÉLECTION DE LA FONCTION PIC (PEAK)

Pour activer la fonction Pic, appuyer brièvement sur la touche de clavier PIC. L'écran LCD affichera le mot PIC et toutes les barres verticales seront surlignées en blanc.

La fonction PEAK a été réalisée dans le but d'identifier la fuite la plus importante dans un système comportant de multiples fuites. Quand la première fuite est détectée, la dernière barre verticale reste allumée après que l'alarme se produit. La fois suivante où une fuite est détectée, si la fuite détectée est plus petite que la première fuite détectée, la dernière barre verticale d'origine restera. Si une autre fuite est détectée, mais cette fuite dépasse la première fuite, la dernière barre verticale de la plus grande fuite s'allume. Si une fuite détectée allume toute les barres, ceci est une indication que la sensibilité de l'appareil devrait être réduite. Pour quitter le mode PEAK, appuyer brièvement sur la touche de clavier PEAK.

POUR CHANGER LE VOLUME

La touche de clavier VOLUME commande les volumes normal et bas des tonalités de "bipe" et rend les tonalités silencieuses. Chaque fois que la touche VOLUME est actionnée, l'écran LCD communique à l'utilisateur l'état de la commande de volume. Si le volume normal est sélectionné, l'écran LCD visualisera momentanément 10 barres verticales. Si le volume bas a été sélectionné, l'écran LCD visualisera momentanément 5 barres verticales. Quand MUTE (SILENCIEUX) est sélectionné, l'écran LCD affichera la légende MUTE. Quand l'appareil est en mode MUTE, seules les tonalités de "bipe" sont rendues silencieuses, les alarmes continueront la signalisation au niveau normale chaque fois qu'une fuite sera détectée.

MAINTENANCE

Installation ou remplacement des piles alcalines

Enlever le couvercle des piles comme indiqué sur la Figure 1 et retirer les piles existantes. Il peut s'avérer avantageux de placer l'appareil verticalement et de secouer pour faire extraire les deux piles. Installer deux piles alcalines de taille D avec les polarités indiquées sur la Figure 1. Remonter le couvercle des piles et le bloquer avec la vis.

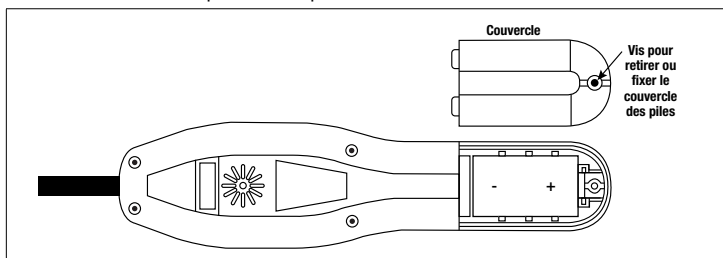


Figure 1

Remplacement du Capteur

Pour remplacer le capteur, saisir fermement la sonde flexible près de l'extrémité avec une main et utiliser l'autre main pour dévisser la portion de buse de la pointe de sonde filetée dans le sens contraire des aiguilles d'une montre. Ensuite, retirer la rondelle métallique, la rondelle de caoutchouc et le capteur dans cet ordre. Observer l'orientation de la clavette sur le capteur qui est retiré. Il serait conseillé de remplacer en même temps le filtre à l'intérieur de la buse. Pour retirer la membrane de microfiltration de l'intérieur de la buse, l'assistance d'un objet long et mince comme une tige d'extraction de joint torique ou équivalent sera nécessaire.

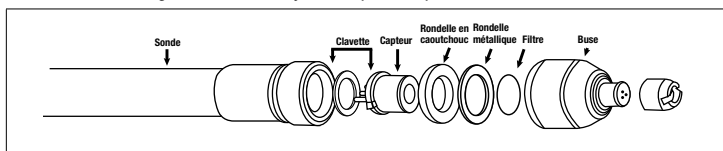


Figure 2

Lors de l'installation d'un nouveau capteur, orienter la clavette sur le capteur avec les fentes de clavette sur la sonde, en s'assurant que les 3 broches du capteur sont insérées dans les proches appropriées à l'intérieur de l'extrémité de la sonde. Vérifier que le capteur a été correctement inséré dans la sonde. Installer ensuite la rondelle en caoutchouc comme indiqué sur la Figure 2, suivie de la rondelle métallique. Insérer le filtre neuf et visser la buse tout en tenant fermement l'extrémité de la sonde avec l'autre main. N'UTILISER AUCUN OUTIL pour le serrage de l'ensemble de la pointe, serrer simplement fermement à la main.

Flacon de test de fuite

Un flacon de test de fuite est fourni avec votre détecteur de fuite pour vérifier que le détecteur de fuite fonctionne correctement.

1. Allumez le détecteur de fuite et attendez que l'unité ait terminé sa séquence de préchauffage. Un READY vert s'affiche sur l'écran LCD et le "bip" sonore commence, sauf si le son est coupé. Réglez le niveau de sensibilité sur MEDIUM.
2. Retirez le capuchon en vinyle du flacon pour exposer le petit trou de fuite, comme indiqué sur la figure 3A ci-dessous. **NE PAS RETROUVER LE CAP NOIR DE LA BOUTEILLE.**

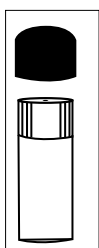


Figure 3A

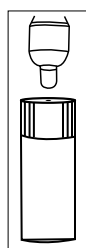


Figure 3B

3. Placer l'extrémité de la sonde près du petit trou (3 - 4 mm) sur le flacon d'essai d'étanchéité

pour un maximum de 3 secondes, comme indiqué sur la figure 3B, jusqu'à ce qu'une alarme sonore soit générée. Ce sera une indication que l'unité fonctionne correctement.

REMARQUE: Toute durée supérieure à 3 secondes saturera le capteur. Voir les précautions ci-dessous. Refermer le flacon avec le capuchon en vinyle précédemment retiré et le remettre dans son étui.

PRÉCAUTION!

Si le flacon de test est maintenu à proximité de la pointe de la sonde pendant une période prolongée, le capteur de la sonde peut se saturer. Le détecteur de fuite interprétera cela comme une atmosphère contaminée associée à une fuite importante de réfrigérant.

Cette précaution s'applique également lors de la localisation des fuites. Référez-vous aux conseils de début rapide sur comment trouver des fuites, étape # 2 pour plus de clarification. Lorsque cela se produit, les lettres CL apparaissent sur l'écran et un message WAIT clignotant s'affiche pendant plusieurs secondes, tandis que le détecteur de fuite se ré-étalonne dans le nouvel environnement. Ce processus peut prendre plusieurs secondes à compléter. Un voyant READY vert apparaît sur l'affichage, avertissant l'utilisateur que l'appareil est prêt à l'emploi. Si la précaution ci-dessus n'est pas respectée, CA (atmosphère contaminée) peut apparaître sur l'affichage, après un processus d'auto-étalonnage. L'unité peut être utilisée pour détecter les fuites à condition que la légende READY apparaisse sur l'affichage. L'indication CA disparaîtra éventuellement lorsque l'unité retournera dans un environnement non contaminé et subira un processus d'auto-étalonnage.

CALIBRAGE MANUEL

L'unité ajustera continuellement son fonctionnement afin de détecter les fuites à un niveau optimal. Lorsque cela se produit, un «CL» clignote à l'écran, le voyant d'attente s'allume et le voyant de disponibilité s'éteint pendant quelques secondes jusqu'à ce que cette opération soit terminée.

L'unité est également conçue pour détecter les fuites en présence d'une contamination de fond. Pour que l'appareil puisse déterminer qu'il y a une atmosphère contaminée, il doit avoir stocké des données pour le capteur dans l'air propre absolu. Ces données sont déterminées en production et stockées en mémoire.

Si un capteur est remplacé ou si l'unité affiche «CA» alors que l'opérateur est sûr à 100% qu'il n'y a pas de contamination dans l'air *, un étalonnage manuel peut être effectué selon la séquence suivante. Maintenez la touche MUTE enfoncée simultanément avec la touche Peak jusqu'à ce que «CL» s'affiche avec un contour blanc de tous les symboles de la barre. Cette procédure peut prendre jusqu'à une minute ou deux. Cela stockera un nouvel ensemble de données d'air propre dans l'unité. Ces nouvelles données seront désormais utilisées chaque fois que l'appareil est sous tension.

* À côté des HFC, l'air contaminé peut également être causé par la présence d'autres contaminants tels que l'alcool, les parfums, les désinfectants pour les mains, etc. L'étalonnage manuel doit être fait dans un environnement très propre tel que l'extérieur.

CONSEILS POUR COMMENCER RAPIDEMENT LA RECHERCHE DE FUITES



Une brusque action de coup de fouet sur la sonde ou un soufflage dans le capteur peut provoquer une fausse alarme du détecteur de fuite. Des capteurs électroniques sont incorporés dans le produit pour détecter une telle action et pour réduire au minimum une fausse alarme. Dans le cas où une telle interférence serait détectée, l'écran LCD visualisera momentanément une légende clignotante INT (interférence), ensuite le fonctionnement normal peut reprendre après que la visualisation de la légende PRET.

1. Si vous commencez la recherche de fuites, sans une connaissance générale de la grandeur de la fuite, réglez la sensibilité de l'instrument à BASSE. La sensibilité BASSE permet à l'appareil de localiser des fuites de moyenne et de grande importance.
2. Déplacez lentement la sonde environ 3/8 pouce (9 mm) au-dessus de la zone de fuite suspectée. Déplacez la sonde au-delà de la fuite pour permettre à la sonde pour clarifier si une fuite est détectée. Ne maintenez pas la sonde à l'emplacement d'une fuite. Ramenez la sonde sur la même zone dans laquelle une fuite a été détectée pour une vérification.
3. Dans le cas où aucune fuite n'a été trouvée avec un réglage de sensibilité BASSE, augmenter la sensibilité à MOYENNE et répéter l'étape (2) ci-dessus.
4. Pour repérer des fuites extrêmement petites de 0,1 oz/an (2,8 g) ou moins, l'échelle de sensibilité HAUTE devrait être utilisée. En raison de la taille extrêmement réduite de la fuite, la pointe de la sonde devrait être déplacée le plus près possible de la surface (sans toucher physiquement aucun objet). Le contact physique avec un objet sera détecté par les capteurs de la sonde en provoquant une brève interruption (INT) dans le détecteur.
5. Lors du sondage d'une fuite dans un environnement contaminé, le capteur détectera la zone contaminée et se réglera automatiquement pour les nouvelles conditions. L'affichage LCD visualisera CA (atmosphère contaminée) sur l'écran, après avoir exécuté la procédure de réétalonnage qui prendra environ une minute. Durant la procédure de réétalonnage, toutes les barres verticales deviennent lumineuses et s'éteignent en séquence jusqu'à ce que toutes les barres soient éteintes. A ce point, la légende PRET s'allume et la procédure de détection de fuite peut continuer.

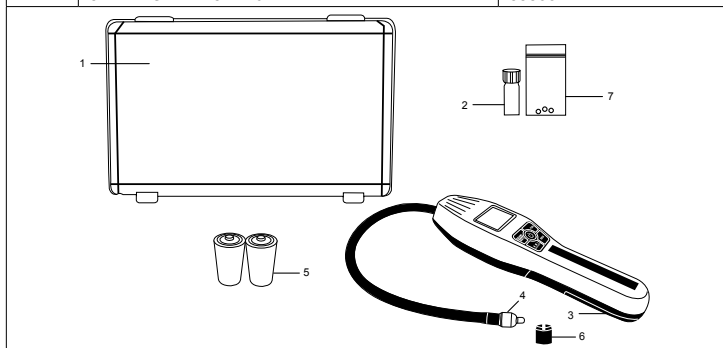
PROBLEME	CAUSE PROBABLE	SOLUTION
L'appareil ne s'allume pas	1) Les piles ne sont pas en place	Installer des piles neuves. Suivre les instructions page 13.
	2) Les piles sont mal installées	Contrôler la polarité d'installation des piles comme indiqué page 13.
L'appareil s'allume brièvement puis s'éteint	Les piles sont très faibles	Installer des piles neuves. Suivre les instructions page 13.

L'appareil émet une alarme continue sans interruption	La zone est contaminée ou il existe des contaminants à proximité	Tout d'abord réduire la sensibilité de l'instrument. Si l'unité réagit encore dans la sensibilité la plus basse, éteignez-la. Nettoyer la zone des contaminants et essayez à nouveau.
Code E2 visualisé sur l'écran LCD	Pointe bouchée ou ventilateur ne fonctionnant pas	Dévisser la pointe de la sonde, retirer le filtre de l'intérieur avec une tige d'extraction de joint torique et souffler de l'air comprimé à travers les petits trous dans la pointe. Remonter l'ensemble de la sonde et contrôler l'appareil. Si le problème persiste, renvoyer l'appareil là où il a été acheté.
Code E8 visualisé sur l'écran LCD	Mauvais capteur	Remplacer le capteur selon les instructions page 13.*
Code E9 visualisé sur l'écran LCD	Capteur manquant	Remettre le capteur selon les instructions on page 13.*
*Eteindre l'appareil et essayer de le rallumer plusieurs fois.		

PIECES DE RECHANGE

Les pièces de rechange et accessoires pour le détecteur de fuite 55800 sont disponibles chez le même revendeur auprès duquel vous avez acheté l'instrument.

REF. #	DESCRIPTION	MC PART #
1.	BOITE EN PLASTIQUE MOULE PAR SOUFLAGE	55800-PB
2.	FLACON TEST FUITE	55800-VL
3.	COUVERCLE PILES POUR DETECTEUR DE FUITES	55800-BATCOV
4.	CAPTEUR	55800-SEN
5.	Batteries 2 "D"	55800-BAT2D
6.	PROTECTEUR CAPTEUR	55100-10042
7.	3 FILTRES DE RECHANGE	55800-FILTER



GARANTIE ET RESPONSABILITE

Mastercool garantit que votre détecteur de fuite de réfrigérant 55800 est exempt de défauts de matériaux et de fabrication pour une période de 1 ans à compter de la date d'achat. La garantie ne s'applique pas aux éléments qui se détériorent durant l'utilisation normale, y compris les piles, le capteur et les filtres. De plus, un produit présentant des signes de mauvaise utilisation ne sera pas sujet à garantie. Tout signe évident d'accident, réparation non autorisée ou altération annulera également la garantie mentionnée.

La responsabilité est limitée au produit retourné à Mastercool, port payé, pas plus tard 30 jours après l'expiration de la garantie et à la décision du produit avoir mal fonctionné en raison de défauts de matière ou de fabrication. La responsabilité Mastercool est limitée en option à la réparation ou au remplacement du produit ou la pièce défectueuse.

⚠ AVERTISSEMENT: Ce produit peut vous exposer à des produits chimiques, y compris le plomb et le phtalate de Di (2-éthylhexyl), qui sont connus de l'État de Californie pour causer des cancers et des malformations congénitales ou d'autres dommages à la reproduction. Pour plus d'informations, visitez le site www.P65Warnings.ca.gov

DESCRIPCION GENERAL DEL PRODUCTO

Usted adquirió un detector inteligente de fugas, modelo 55800. El corazón de este avanzado detector de fugas, es un nuevo sensor de gas de óxido de metal de baja potencia, con propiedades de rendimiento superiores en comparación con otras unidades de la competencia que aún utilizan sensores de generaciones anteriores. El nuevo sensor se caracteriza por la alta sensibilidad y rápida respuesta al detectar la presencia de niveles extremadamente pequeños niveles de refrigerantes y gases combustibles. Por esta razón, este sensor fue seleccionado e integrado en el detector de fugas 55800. Adicionalmente, integramos un potente microprocesador en el diseño que selecciona automáticamente la mejor condición de funcionamiento del sensor, garantizando un óptimo rendimiento para el resto de la vida del sensor.

Desde el momento que la unidad es encendida por primera vez, un programa de calefacción de inicio acelerado fue incorporado, para que la preparación del sensor sea en un minuto o menos. Durante este periodo de tiempo, el diagnóstico del sensor y otros parámetros críticos que se llevan a cabo son comprobados. Una vez que se detectan las condiciones adecuadas, el procesador permite la leyenda LISTO (READY) en la pantalla e inicia el “Beep” audible en la unidad, siempre y cuando la función de silencio (MUTE) este desactivada.

A partir de este momento, el procesador continúa interactuando con el usuario mediante el monitoreo de los comandos recibidos desde el teclado y la ejecución de estos, así como la ejecución del autodiagnóstico comprobando en los elementos críticos múltiples veces por segundo, asegurando y manteniendo de esta manera la operación continua del producto.

Cualquier desviación de los parámetros críticos de los límites de diseño normalmente establecidos, como condiciones anormales, son anunciadas para el conocimiento del usuario de manera audible y visible, a través de la avanzada, colorida y fácil de usar pantalla LCD.

Otras características beneficiosas serán detalladas y analizadas en este manual de instrucciones.



ADVERTENCIA

Este símbolo se utiliza para advertir al usuario de la presencia de operaciones importantes y mantenimiento o el servicio de instrucciones en la literatura que acompaña este producto.

PAUTAS IMPORTANTES

1. El detector de fugas 55800 deberá ser operado de acuerdo con las instrucciones de funcionamiento del fabricante del equipo.
2. Prueba de fuga con la unidad APAGADA.
3. Rastree visualmente todo el sistema de refrigeración y revise si hay signos de fuga del refrigerante del aire acondicionado, daños y corrosión en todas las líneas, mangueras y componentes. Cada área cuestionable deberá ser cuidadosamente comprobada con la sonda detectora, al igual que los accesorios, los acoplamientos de la manguera y los controles de refrigerante. Los puertos de servicio con las tapas en su lugar, zonas soldadas y áreas alrededor de los puntos de fijación y pisadores en las líneas y componentes. Si busca por una fuga aparentemente larga, compruebe primero en 7g/año o Bajo 14g/año, en ajustes de sensibilidad.
4. Siempre siga el sistema del refrigerante por un camino continuo, para que no se pierda una posible fuga en esa área. Si se encuentra una fuga, siempre continúe con la prueba en el resto del sistema.
5. Vuelva a revisar las válvulas de servicio con las tapas removidas. Sople con el aire del compresor del taller sobre la válvula del sistema para limpiar el área y luego verifique con el detector ajustado a en 7g/año (0.25oz/año). Sensibilidad media.
6. Mueva el detector en un rango no mayor de 75mm/seg (3 pulgadas/seg) y lo más cerca posible a 9.3mm (3/8 pulgadas) a la superficie, rodeando por completo cada posición de prueba (interruptor, sensor, conexión del tubo del refrigerante, etc).
7. Movimientos lentos y un mayor acercamiento de la sonda mejora la probabilidad de encontrar una fuga. Sin embargo, los detectores creados para cumplir con esta norma requieren que la muestra de aire y la detección de una fuga sea a una distancia de 9.5mm (3/8 pulgadas). Por lo tanto, una segunda prueba es sugerida incluso en el ajuste más sensible, cuando una fuga parece encontrarse, particularmente si la prueba fue en una posición quieta en un punto de contacto o haciendo contacto físico con uno de los puntos de conexión al momento que se movía. Repita con una prueba de movimiento en la locación, teniendo cuidado de mantener una pequeña distancia (9.5mm o 3/8 pulgadas) para confirmar que la fuga es de un tamaño reparable. Usando una sensibilidad media en los ajustes del detector de 7gr/año (0.25 oz/año), luego de encontrar una aparente fuga, con 4g/año(0.15 oz/año) en los ajustes de sensibilidad alta, puede ser de gran ayuda.

ESPECIFICACIONES

Elemento Sensible:	Elemento de Dióxido de Estaño climatizado.
Vida del sensor:	2000 horas.
Refrigerantes:	Detecta todos los gases refrigerantes, gases combustibles y mezclas de hidrogeno/nitrógeno (CFC, HFC, HCFC y mezclas). Esta unidad ha sido probada y aprobada para trabajar con R1234yf y R410a.
Niveles de Sensibilidad:	ALTA: 0.05 oz/yr (1.5g/yr) MEDIA: 0.25 oz/yr (7g/yr). BAJA: 0.50 oz/yr (14g/yr).
Tiempo de Respuesta:	Menos de un segundo.
Batería:	2 Baterías alcalinas tamaño D, 12000 mAh.
Vida de la batería:	60 horas
Rango de temperatura en operación:	-17 a 49°C (0 a 120°F)

Peso:	1 lb 8 oz (0.68 kg)
Pantalla:	40mm (ancho) x 30mm (alto) pantalla LCD de color progresivo con 10 barras verticales

CARACTERISTICAS

“Función Súper Sensible” permite que la sensibilidad de la unidad vaya más allá del ajuste estándar para ubicar fugas con gases como R1234yf y R407C

Propiedades de la pantalla:

- Indica magnitud de las fugas detectadas.
- Indicador visual del rango de sensibilidad seleccionado (Alto, Medio, Bajo).
- Indica el estado de preparación de la unidad (Espera, Listo, Interferencia).
- Indica el modo de selección de la unidad (Pico, Espera, Silencio).
- Anuncia y muestra las condiciones de falla unidad.
- Muestra horas acumuladas del sensor cuando se requiere
- Indicador de batería baja.

Sonda:

- Punta inteligente, con el ambiente el elemento sensible, elimina el potencial de falsas alarmas.
- Longitud de la sonda de 15.5 pulgadas (39.3 cm) flexible para lugares de difícil acceso.

Controles de teclado:

- Botón encendido/apagado (Presione encendido/apagado)
- Botón de Volumen/Silencio (Alto, Bajo o Silencio)
- Botón de Sensibilidad, para el nivel de selección de Alta, Media y Baja sensibilidad.
- Tecla de fijar (Hold) para mantener las barras de señal (Presione activar/desactivar).
- Botón de pico cuando hay sospecha de múltiples fugas (Presione activar/desactivar).

ENCENDIDO DE LA UNIDAD

Momentáneamente presione el botón del teclado central de Encendido/Apagado. Al recibir el comando de encendido, la siguiente información aparece en la pantalla LCD:

- Todas las barras verticales comienzan a encenderse.
- La leyenda roja ESPERA (WAIT) empieza a parpadear
- Una A o F aparece en la pantalla, dependiendo que refrigerante haya sido seleccionado.

POR FAVOR TOME NOTA

- *Cuando se está trabajando con gases CFC's, HFC's, y HCFC's se debe estar en el modo A*
- *Cuando se está trabajando con gases difícil de detectar como lo son el R1234yf y el R407C o simplemente se quiere llevar la sensibilidad más allá de los niveles normales, use el modo F. Por favor tome nota que el modo F será muy sensitivo en casi todas las aplicaciones por lo que recomendamos usar este modo solo en casos extremos.*
- A medida que el sensor se calienta, las barras verticales empezarán a desaparecer una a la vez hasta que todas desaparezcan.
- Cuando esto ocurre, la leyenda roja ESPERA (WAIT) desaparece y la leyenda verde LISTO (READY) aparece
- La unidad comienza con el “Bip” a menos que este en el modo silencio, en este caso la leyenda SILENCIO (MUTE) aparecerá
- La unidad se inicia en el nivel de sensibilidad bajo en cada momento que sea encendida.

FUNCION PARA PRESERVAR LA BATERIA

Un timer automático apaga la unidad después de 3 minutos de inactividad. El timer se resetea cuando se presiona la tecla alarma o cualquier tecla.

SELECCION DE UN NIVEL DE SENSIBILIDAD DIFERENTE

Presione el botón del teclado de sensibilidad, para cambiar los ajustes de sensibilidad de la unidad.

SELECCION DE UNA SENSIBILIDAD DE REFRIGERANTE DIFERENTE

Para cambiar el refrigerante del modo A al F o viceversa, presione y mantenga sostenido el botón del teclado PICO (peak) hasta que el refrigerante que se muestra en pantalla cambie. Luego de unos segundos, la unidad se apagará por sí misma. Cuando esto ocurre, presione de nuevo el botón de encendido para encender la unidad nuevamente. La unidad comenzará su secuencia normal de encendido. La sensibilidad de refrigerante seleccionada permanecerá en la memoria cuando la unidad sea apagada.

SELECCION DE LA FUNCIÓN FIJAR (HOLD)

Para habilitar la función de FIJAR (Retención), momentáneamente presione el botón del teclado FIJAR. La pantalla mostrará una leyenda H para indicar que la función de fijar (retención) está habilitada.

La función Fijar (Retención) fue implementada con el propósito de permitir al usuario la búsqueda de fugas en lugares de difícil acceso. Esta función conserva la magnitud relativa de la fuga detectada en la pantalla LCD por un tiempo indefinido hasta que otra fuga sea detectada, en este caso, la fuga anterior detectada en la pantalla se borra y la nueva fuga es mostrada en la pantalla LCD. Cuando es presionado nuevamente el botón FIJAR, la unidad sale del modo de retención y reanuda su operación normal.

SELECCIONE LA FUNCTION PICO (PEAK)

Para habilitar la función Pico, momentáneamente presione el botón del teclado PICO y todas las barras verticales se perfilan en blanco.

La función PICO fue implementada con el propósito de identificar la fuga más larga de un sistema con múltiples fugas. Cuando la primera fuga es detectada la última barra vertical permanecerá encendida después de que la alarma tome lugar. Al momento siguiente otra fuga es detectada, si la fuga detectada es más pequeña que la primera, la última barra vertical original permanecerá. Si otra fuga es detectada, pero esta excede a la primera fuga, la última barra vertical de la fuga más larga se iluminará. Si una fuga detectada enciende todas las barras es

una advertencia de que la sensibilidad de la unidad deberá ser disminuida. Para salir del modo PICO, presione nuevamente el botón del teclado PICO.

PARA CAMBIAR EL VOLUMEN

El botón VOLUMEN del teclado, controla los volúmenes normales y bajos de los "Beeps" y silencia los tonos. En cada momento que el botón volumen es presionado, la pantalla indica el estado del control del volumen. Si el volumen normal es seleccionado, la pantalla momentáneamente muestra 10 barras verticales. Si el volumen bajo ha sido seleccionado, la pantalla momentáneamente muestra 5 barras verticales. Cuando SILENCIO (Mute) es seleccionado, la pantalla LCD muestra la leyenda MUTE. Cuando la unidad está en SILENCIO, solo el tono del "Beep" será silenciado, las alarmas seguirán anunciando en el nivel normal cada que una fuga sea detectada.

MANTENIMIENTO

Instalar o reemplazar las baterías alcalinas

Remueva la tapa de la batería, como se muestra en la figura 1 y extraiga las baterías existentes. Puede ser beneficioso voltear la unidad en posición vertical y agitarla hasta que salgan las dos baterías. Instale dos baterías alcalinas tamaño D con las polaridades que se muestran en la figura 1. Coloque nuevamente la tapa y asegure con el tornillo de cierre.

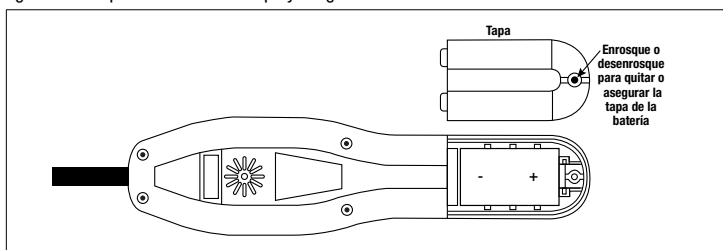


Figura 1

Reemplazo del sensor

Para reemplazar el sensor, sujete con firmeza cerca del final la sonda flexible y con la otra mano para desenroscar la parte de la boquilla de la punta de la sonda, con rosca en sentido contrario a las agujas del reloj. Luego, quite la arandela de metal, la arandela de goma y el sensor, en este orden. Observe que la orientación de la llave en el sensor haya sido removida. Es aconsejable reemplazar el filtro dentro de la boquilla al mismo tiempo. Para quitar la membrana de micro filtración desde el interior de la boquilla se requiere un objeto largo y delgado, como un extractor de juntas tóricas o un equivalente.

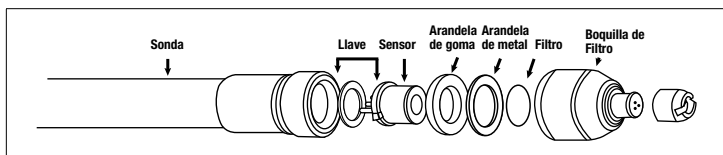


Figura 2

Cuando instale un nuevo sensor, oriente la tecla de tabulación en el sensor con la ranura de las teclas en la sonda, asegurándose que los 3 pin del sensor son insertados en los pasadores adecuados en el interior del extremo de la sonda. Verifique que el sensor haya sido insertado correctamente dentro de la sonda. Luego instale la arandela de goma como se muestra en la figura 2 seguido por la arandela de metal. Inserte el nuevo filtro y enrosque la boquilla mientras sujeta firmemente el extremo de la sonda con la otra mano.

Prueba vial de fuga

Se incluye un tubo para pruebas de fugas con su detector de fugas para verificar que el detector esté operando correctamente.

1. Encienda el detector de fugas y espera que la unidad complete su secuencia de calentamiento. Una luz verde READY se verá en la pantalla LCD y se oirá un "bip", a no ser que la unidad este en silencio. Ajuste el nivel de sensibilidad a MEDIUM.
2. Remueva la tapa de vinílico del tubo de prueba para exponer el pequeño orificio – como se muestra en la figura 3A más abajo. **NO DESATORNILLE LA TAPA NEGRA DE LA BOTELLA.**

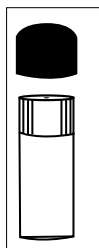


Figure 3A

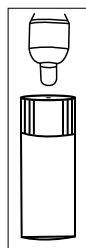


Figure 3B

3. Coloque la punta del detector de fugas en el pequeño orificio del tubo de prueba por no más de 3 segundos, tal como se muestra en la figura 3B, hasta que se oiga una alarma ("bip") que se genera. Esto será la indicación que la unidad está operando correctamente.

NOTA: Mantener la punta del sensor por más de 3 segundos en el orificio del tubo de prueba, saturará el sensor mismo. Vea las precauciones más abajo. Cierre el tubo de prueba con la tapa de vinílico que se removió anteriormente y colóquelo en su maletín.

PRECAUCION!

Si el tubo de prueba se mantiene cerca del detector de fugas por un periodo largo de tiempo, el sensor del detector de fugas se saturará. El detector de fugas determinara que está en un

ambiente contaminado con una gran fuga de refrigerante.

Se debe tomar esta precaución cuando se encuentra una fuga. Refiérase a Datos/Consejos de Como Encontrar Fugas, Paso # 2 para mayor clarificación.

Cuando esto ocurre, la letra CL aparecerá en su pantalla y la palabra WAIT (ESPERE) se verá por varios segundos, mientras el detector de fugas se está recalibrando al nuevo ambiente. Este proceso tomara varios segundos. La palabra READY (LISTO) en color verde aparecerá en la pantalla, alertando al operador que la unidad esta lista para ser usada.

Si no se sigue lo mencionado anteriormente, es posible que después del proceso de auto calibración, aparezca en la pantalla las letras CA (atmosfera contaminada). La unidad se puede usar solo si aparece la palabra READY (LISTO) en la pantalla. Las letras CA desaparecerán de la pantalla una vez que la unidad vuelve a un ambiente descontaminado y después de hacer su proceso auto calibración.

CALIBRACION MANUAL

La operación continua de auto ajuste de la unidad es para detectar fugas a su óptima capacidad. Cuando hace esta operación las letras "CL" aparecerán intermitentemente en la pantalla y también se verá la palabra WAIT hasta que la palabra READY (LISTO) no se verá por algunos segundos hasta que se haya completado esta operación.

La unidad está diseñada también para detectar fugas en un ambiente contaminado. Para que la unidad identifique que hay un ambiente contaminado, debe tener información almacenada para el sensor de un aire absolutamente limpio. Esta información se almacena en el momento de producir la unidad y guardada en su memoria.

Si se cambia el sensor o si la unidad muestra "CA" cuando el operador está 100% seguro que hay presencia de aire puro*, entonces se puede hacer una calibración manual siguiendo las instrucciones que se dan a continuación. Presione (y mantenga presionado) las teclas MUTE y PEAK hasta que "CL" aparezca junto con todos los símbolos de barra. Este proceso puede tomar de 1 a 2 minutos. Esto almacenara en la memoria de la unidad, una nueva información de aire puro. Esta nueva información (almacenada) de aire puro será usada cada vez que la unidad sea encendida.

*Fuera del aire contaminado con HFC, también el aire puede ser contaminado con alcohol, perfumes, limpiadores de mano, etc. La calibración manual DEBE hacerse en un ambiente LO MAS LIMPIO POSIBLE, ojala fuera del ambiente donde se buscara la fuga.

CONSEJOS DE INICIO RÁPIDO SOBRE CÓMO ENCONTRAR FUGAS

Una acción de látigo repentina de la sonda o soplar en el sensor puede causar que el detector de fuga genere una falsa alarma. Los sensores electrónicos están incorporados dentro del producto para detectar dicha actividad y para reducir y minimizar tales falsas alarmas. En el momento que tal interferencia es detectada, la pantalla mostrará un parpadeo momentáneo de la leyenda INT (Interferencia), luego la operación normal puede reanudarse después de que aparezca la leyenda LISTO (READY).



1. Cuando empieza la búsqueda de fugas, sin un conocimiento general de la magnitud de la fuga, ajuste la sensibilidad del instrumento en BAJA (LOW). La baja sensibilidad permite a la unidad localizar fugas de medianos y grandes tamaños.
2. Mueva la sonda lentamente, aproximadamente 3/8 pulgadas (9mm) sobre las áreas de una supuesta fuga. Mueva la sonda más allá de la fuga, permitiéndole aclarar si una fuga ha sido detectada. No sostenga la sonda en el sitio de la fuga. Devuelva la sonda a la misma área donde se detectó una fuga para verificar.
3. Si no se encuentran fugas con el ajuste de nivel de sensibilidad BAJA (LOW), increméntelo a un nivel de sensibilidad MEDIO y repita el paso de arriba (2)
4. Para localizar fugas extremadamente pequeñas 01 oz/año (2.8 gramos) o menos. La escala ALTA (HIGH) de sensibilidad debe ser utilizada. Debido al tamaño tan pequeño de la fuga, la punta de la sonda debe ser movida lo más cerca posible de la superficie (sin tocar físicamente cualquier objeto). El contacto físico con un objeto será detectado por los sensores de la sonda y resultar en una breve INT (Interferencia) en el detector.
5. Cuando se hace el sondeo de una fuga en un ambiente contaminado, el sensor detectará el área contaminada y automáticamente se ajustará a las nuevas condiciones. La pantalla mostrará AC (Ambiente Contaminado), después de pasar por el proceso de re calibración que tomará aproximadamente un minuto en completarse. Durante el proceso de re calibración, todas las barras verticales se iluminan hacia abajo hasta que todas desaparezcan. En este punto, la luz de LISTO (READY) aparece y el proceso de detección de fuga puede continuar.

GUIA DE SOLUCION DE PROBLEMAS

A excepción de las baterías y el sensor, las partes internas de la 55800 no son reparables. Si usted experimenta un problema con el producto, consulte la tabla de solución de problemas a continuación.

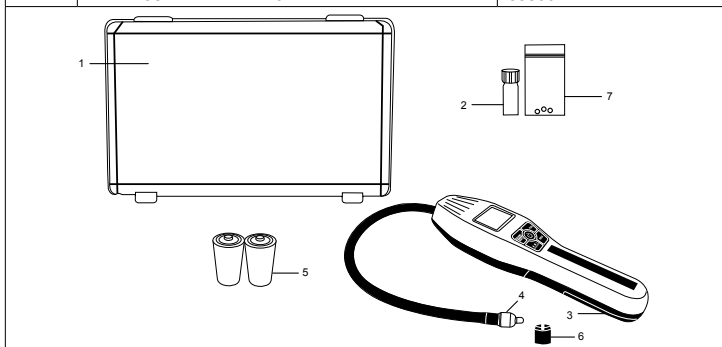
PROBLEMA	CAUSA PROBABLE	SOLUCION
La unidad no se enciende	1) No están instaladas las baterías	Instale nuevas baterías. Siga las instrucciones en la página 17.*
	2) Las baterías están instaladas de forma incorrecta	Compruebe la polaridad de la instalación de las baterías en la página 17.*
La unidad se enciende brevemente luego se apaga	Las baterías están muy débiles	Instale nuevas baterías. Siga las instrucciones en la página 17.*

Las alarmas de la unidad suenan constantemente y no se detienen	El área está contaminada o hay contaminantes cerca	Reduzca la sensibilidad del detector de fugas. Si la alarma sigue sonando en la sensibilidad más baja, apague el detector de fugas. Limpie el área de posibles contaminantes y trate de nuevo.
Código E2 aparece en la pantalla LCD	La punta está obstruida o el ventilador no funciona	Desenrosque la punta de la sonda, remueva el filtro de adentro con un extractor de juntas tóricas y sople aire de taller a través de los pequeños agujeros en la punta. Vuelva a montar la sonda completa y la unidad de control. Si el problema continúa, devuelva la unidad donde fue adquirida.
Código E8 aparece en la pantalla LCD	Sensor Malo	Reemplace el sensor, siga las instrucciones en la página 17.*
Código E9 aparece en la pantalla LCD	Falta Sensor	Reemplace el sensor, siga las instrucciones en la página 17.*
*Apague la unidad y vuelva a intentar el encendido varias veces.		

PIEZAS DE REPUESTO

Partes y respuestos y accesorios para el Detector de Fugas 55800 están disponibles a través del mismo Distribuidor a quien le compro este instrumento o a través de Mastercool, Inc.

REF. #	DESCRIPCION	MC PART #
1.	MOLDEADO POR SOPLEADO CAJA PLASTICA	55800-PB
2.	PRUEBA VIAL DE FUGA	55800-VL
3.	CUBIERTA DE BATERÍA PARA DETECTOR DE FUGAS	55800-BATCOV
4.	Sensor	55800-SEN
5.	Dos baterías "D"	55800-BAT2D
6.	PROTECTOR DE SENSOR	55100-10042
7.	2 FILTROS DE REEMPLAZO	55800-FILTER



GARANTIA Y RESPONSABILIDAD

Mastercool garantiza su Detector de Fugas 55800 contra defectos de material y fabricación por un periodo de 1 años a contar de la fecha de su compra. Mastercool no cubre la garantía de este producto causado por su uso normal, incluyendo baterías sensores o filtros. Adicionalmente Mastercool no garantiza este producto que muestre evidencias de mal uso. Cualquier evidencia de accidente, reparación no autorizada o alteración cancela automáticamente esta garantía. La responsabilidad de Mastercool está limitada al producto que se devuelve a Mastercool, transporte pre-pagado, no más allá de 30 días después de que la garantía haya vencido y que Mastercool haya determinado que el defecto se debe al material y/o fabricación. La responsabilidad de Mastercool está limitada a la opción de reparar o reemplazar el producto o parte.

⚠ **ADVERTENCIA:** Este producto puede exponerlo a productos químicos como el plomo y el ftalato de di (2-etilhexilo), que el Estado de California conoce como causantes de cáncer y defectos congénitos u otros daños reproductivos. Para obtener más información, visite www.P65Warnings.ca.gov

DESCRIZIONE DEL PRODOTTO

Avete acquistato un cercafughe elettronico intelligente, il modello 55800. La caratteristica principale di questo cercafughe di ultima generazione è un nuovo sensore a basso consumo ad ossidi metallici per la rilevazione dei gas con caratteristiche di rendimento superiori rispetto a dispositivi concorrenti che utilizzano ancora sensori di vecchia generazione. Il nuovo sensore è caratterizzato da un'elevata sensibilità e rapidità di risposta al rilevamento della presenza di livelli estremamente bassi di refrigeranti e gas infiammabili, motivo per cui è stato selezionato e integrato nel cercafughe 55800.

In esso è stato inoltre integrato un potente microprocessore che seleziona automaticamente la condizione di funzionamento migliore per il sensore, in modo da garantire prestazioni ottimali per tutta la durata dello stesso. Al momento in cui l'apparecchio viene acceso, grazie ad un programma integrato di riscaldamento rapido all'accensione, l'elemento sensore è pronto all'uso in meno di un minuto. Durante questo tempo, viene eseguito un controllo diagnostico del sensore e di altri parametri critici. Una volta rilevate le condizioni ottimali, il processore visualizza l'indicazione READY [pronto] sul display LCD e avvia il "beep" acustico sull'apparecchio, a condizione che la funzione MUTE [silenziato] sia disabilitata.

Da questo momento in poi, il processore continua a interagire con l'utente attraverso il monitoraggio dei comandi ricevuti da tastiera e la loro esecuzione, oltre a svolgere controlli autodiagnostici su elementi critici più volte al secondo, garantendo così il funzionamento costante del prodotto. In caso di scostamento dei parametri critici dai limiti impostati di norma, tali condizioni anomale sono portate all'attenzione dell'utente con mezzi acustici e visivi, tramite il display LCD a colori user-friendly di ultima generazione.

Ulteriori funzioni utili sono esaminate e ulteriormente descritte in questo manuale.



ATTENZIONE

Questo simbolo ha lo scopo di avvisare l'utente della presenza di importanti istruzioni operative e di manutenzione o assistenza nella documentazione che accompagna il prodotto.

IMPORTANTI LINEE GUIDA

1. Il cercafughe 55800 deve essere utilizzato in conformità con il manuale di istruzioni del costruttore dell'apparecchiatura.
2. Utilizzare con il sistema A/C spento.
3. Seguire visivamente l'intero sistema refrigerante e verificare la presenza di fughe di lubrificante, danni e segni di corrosione su tutte le tubature e i componenti. Ogni area dubbia deve essere attentamente verificata con la sonda del cercafughe, così come ogni raccordo, manicotto e controllo refrigerante. Bocchette di servizio tappate, aree brasate o saldate e aree intorno a punti di attacco e dispositivi di fissaggio su tubature e componenti. Qualora si cerchi una fuga apparentemente estesa, iniziare il rilevamento impostando la sensibilità su MEDIUM [MEDIA] (7 g/anno) o LOW [BASSA] (14 g/anno).
4. Seguire sempre il sistema refrigerante in un percorso continuo in modo da non tralasciare alcuna area di potenziali fughe. Qualora venga rilevata una fuga, testare sempre anche la parte di sistema restante.
5. Ricontrollare le valvole di servizio dopo avere rimosso i tappi. Soffiare un getto d'aria compressa sulla valvola di servizio per pulire l'area adiacente, quindi eseguire il rilevamento impostando la sensibilità MEDIUM a 7 g/anno (0,25 oz/anno).
6. Spostare la sonda ad una velocità non superiore a 75 mm/sec (3 in/sec) e il più possibile vicino ai 9,3 mm (3/8 in) dalla superficie, delimitando completamente ciascuna posizione di prova (interruttore, sensore, raccordo sulla tubazione refrigeranti, ecc...).
7. Uno spostamento più lento e più vicino della sonda migliora la probabilità di rilevare una fuga. Tuttavia, i cercafughe realizzati per soddisfare questo standard devono sondare l'aria e rilevare una fuga da una distanza di 9,5 mm (3/8 in). Pertanto, si consiglia di ripetere il test impostando una sensibilità maggiore quando sembra di avere rilevato una fuga, in particolare se la sonda è in posizione statica su un giunto o viene a contatto con un giunto mentre è in movimento. Ripetere il test con la sonda in movimento in quella posizione, avendo cura di mantenere un piccolo spazio (9,5 mm o 3/8 in) per confermare che la fuga è di dimensioni riparabili. Anche impostare una sensibilità MEDIUM di 7 g/anno (0,25 oz/anno) sul cercafughe, dopo avere apparentemente trovato una fuga con una sensibilità HIGH [alta] di 4 g/anno (0,15 oz/anno), può rivelarsi molto utile.

SPECIFICHE TECNICHE

Tipo di sensore:	Sensore riscaldato a ossido di stagno
Durata del sensore:	2000 ore
Refrigeranti:	Rileva tutti i refrigeranti, i gas combustibili e la miscela di idrogeno / azoto (CFC, HFC, HCFC e miscele) L'unità è stata testata e approvata per funzionare con R1234yf e R32 e R410a
Livelli di sensibilità:	HIGH 0,05 oz/anno (1,5 g/anno) MEDIUM 0,25 oz/anno (7 g/anno) LOW: 0,50 oz/anno (14 g/anno)
Tempo di risposta:	Meno di 1 secondo
Alimentazione:	2 batterie alcaline, tipo D, 12000 mAh
Durata della batteria:	60 ore
Temperatura d'impiego:	da -17 a 49°C (0 a 120°F)
Peso:	1 lb 8 oz (0.68 kg)
Display:	40mm (l) x 30mm (a), display LCD progressivo a colori con 10 barre verticali

CARATTERISTICHE

La funzione "Super Sensitivity" permette di incrementare la capacità di individuare piccole perdite come può avvenire con R407C ed R1234yf

Proprietà del display:

- Visualizzazione entità relativa delle fughe rilevate
- Indicazione visiva della gamma di sensibilità selezionata (HIGH, MEDIUM o LOW).
- Visualizzazione dello stato dell'apparecchio (WAIT [in attesa], READY [pronto] o INTERFERENCE [interferenza]).
- Visualizzazione della modalità selezionata (PEAK [valore massimo], HOLD [mantieni] o MUTE [silenziato]).
- Comunicazione e visualizzazione delle condizioni di guasto dell'apparecchio.
- Visualizzazione delle ore residue del sensore su richiesta.
- Indicatore di batteria scarica

Sonda:

- Punta intelligente, con elemento di rilevamento ambiente per eliminare potenziali falsi allarmi.
- Sonda flessibile da 15,5 pollici (39.3 cm) per punti difficili da raggiungere.

Controlli via tastiera:

- Pulsante ON/OFF (accensione/spegnimento a pressione)
- Tasto Volume/Mute (alto, basso o silenziato)
- Pulsante per la selezione del livello di sensibilità (alta, media, bassa > high, medium, low)
- Pulsante Hold per bloccare le barre di segnale (attivabile/disattivabile a pressione)
- Pulsante di picco quando si sospettano più fughe (attivabile/disattivabile a pressione)

ACCENSIONE DELL'APPARECCHIO

Premere brevemente il tasto centrale ON/OFF sulla tastiera. Dopo aver ricevuto il comando ON, sullo schermo LCD compaiono le seguenti informazioni:

- Tutte le barre verticali si illuminano.
- L'indicazione rossa WAIT inizia a lampeggiare.
- Il display farà vedere A o F a seconda del refrigerante che è; stato cercato l'ultima volta
 - Quando si lavora con la maggior parte dei CFC, HFC e HCFC utilizzare lo strumento in A
 - Quando si lavora con gas difficili da individuare come R407C e R1234yf o quando si ha la necessità di utilizzare un livello di sensibilità molto elevato mettere in F.Tenete presente che il modo F risulterà troppo sensibile in molti casi standard, utilizzare il modo F solo quando necessario
- Man mano che il sensore si riscalda, le barre verticali cominciano a spegnersi una alla volta fino all'ultima.
- A questo punto, la scritta rossa WAIT scompare e appare la scritta READY.
- L'apparecchio inizia ad emettere un "bip", a meno che il volume non sia disattivato; in tal caso, sul display compare l'indicazione MUTE.
- All'accensione, l'apparecchio viene avviato sempre a bassa sensibilità.

CARATTERISTICHE DI CONSERVAZIONE DELLA BATTERIA

Un timer automatico spegne l'unità dopo 3 minuti di inattività. Il timer viene azzerato ogni qualvolta si inserisce un allarme dell'unità o quando viene premuto un tasto qualsiasi.

SELEZIONE DI UN LIVELLO DI SENSIBILITÀ DIVERSA

Per cambiare la sensibilità impostata sull'apparecchio, premere il tasto SENSITIVITY [SENSIBILITÀ].

SELEZIONE DI UNA DIVERSA SENSIBILITÀ DI REFRIGERANTE

Per cambiare il refrigerante da A a F modo o viceversa, tenere premuto il tasto PEAK [valore massimo] sulla tastiera finché il refrigerante non viene indicato sul display LCD. Dopo pochi secondi, l'apparecchio si spegnerà automaticamente per memorizzare il nuovo refrigerante. Premere quindi il pulsante ON sulla tastiera per accendere nuovamente l'apparecchio. Verrà avviata la normale sequenza di accensione. Il refrigerante selezionato rimarrà memorizzato allo spegnimento dell'apparecchio.

SELEZIONE DELLA FUNZIONE HOLD

Per attivare questa funzione, premere brevemente il tasto HOLD sulla tastiera. Il display LCD visualizzerà una H, a indicare che la funzione HOLD è attivata. La funzione HOLD è stata inclusa al fine di consentire all'utente il rilevamento di fughe in punti difficili da raggiungere. Questa funzione mantiene l'entità relativa di una fuga rilevata sul display LCD per un periodo indefinito di tempo o fino al rilevamento di un'altra fuga, nel qual caso il valore precedente viene cancellato per mostrare la nuova fuga. Premendo nuovamente il tasto HOLD, l'apparecchio esce dalla modalità di attesa e riprende il normale funzionamento.

SELEZIONE DELLA FUNZIONE PEAK

Per attivare la funzione PEAK, premere brevemente il tasto PEAK sulla tastiera. Il display LCD visualizzerà il termine PEAK e tutte le barre verticali saranno evidenziate con un profilo bianco. La funzione PEAK è stata inclusa allo scopo di identificare le fughe più consistenti in un sistema con più fughe. Quando viene rilevata la prima fuga, l'ultima barra verticale resta accesa dopo l'attivazione dell'allarme. Al rilevamento della fuga successiva, se la fuga rilevata è minore della prima, l'ultima barra verticale resterà evidenziata. Se, al contrario, la fuga rilevata è maggiore della prima, l'ultima barra verticale della fuga maggiore sarà illuminata. Se al rilevamento di una fuga si illuminano tutte le barre, la sensibilità dell'apparecchio deve essere ridotta. Per disattivare la funzione PEAK, premere brevemente il tasto PEAK sulla tastiera.

MODIFICA DEL VOLUME

Il tasto VOLUME sulla tastiera controlla i volumi normali e bassi dei toni "beep" e silenzia l'apparecchio. Ogni volta che viene premuto, il display comunica all'utente lo stato del controllo volume. Se viene selezionato il volume normale, il display LCD visualizza brevemente 10 barre verticali. Se viene selezionato il volume basso, il display LCD visualizza brevemente 5 barre verticali.

Quando si seleziona MUTE, il display LCD visualizza l'indicazione MUTE. Quando l'apparecchio è in modalità MUTE, solo i toni "beep" sono silenziati; gli allarmi continuano ad essere emessi al livello normale ogni volta che viene rilevata una fuga.

MANUTENZIONE

Per installare o sostituire le batterie alcaline

Rimuovere il coperchio del vano batterie come indicato in Figura 1 ed estrarre le batterie esistenti, ovvero si può farle cadere scuotendo l'apparecchio tenuto in posizione verticale. Installare due batterie alcaline formato D con le polarità indicate in Figura 1. Riapplicare il coperchio e bloccarlo con l'apposita vite.

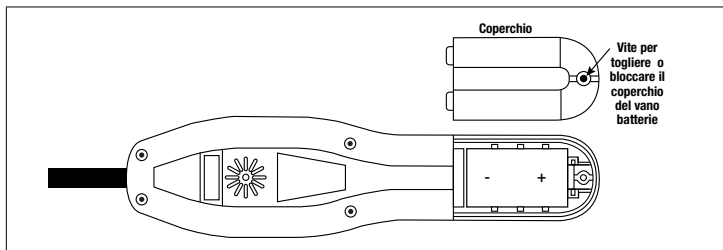


Figura 1

Sostituzione del sensore

Per sostituire il sensore, afferrare saldamente la sonda flessibile vicino all'estremità con una mano e con l'altra svitare la porzione di ugello dalla punta della sonda filettata in senso anti-orario. Rimuovere quindi, in ordine, la rondella di metallo, la rondella di gomma e il sensore. Osservare l'orientamento della chiavetta sul sensore che viene rimosso. Si consiglia di sostituire contemporaneamente il filtro all'interno dell'ugello. Per rimuovere la membrana di microfiltrazione all'interno dell'ugello, sarà necessario utilizzare un oggetto lungo e sottile, come un utensile di montaggio per O-ring o equivalente.

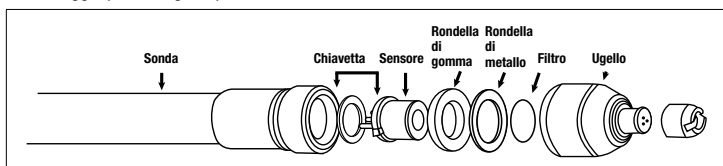


Figura 2

Durante l'installazione di un nuovo sensore, orientare la chiavetta sul sensore in base al relativo alloggiamento sulla sonda, accertandosi che i 3 perni del sensore vengano inseriti negli alloggiamenti appropriati all'estremità della sonda. Verificare che il sensore sia stato inserito correttamente nella sonda, quindi installare la rondella di gomma come mostrato in Figura 2, seguita dalla rondella metallica. Inserire un nuovo filtro e avvitarlo sull'ugello, tenendo saldamente l'estremità della sonda con l'altra mano. **NON UTILIZZARE STRUMENTI** per stringere il gruppo punta, stringerlo soltanto saldamente con la mano.

Fiala per la prova di tenuta

Viene fornito un flacone di prova di perdita con il rilevatore di perdite per verificare che il rilevatore di perdite funzioni correttamente.

1. Spegner il rilevatore di perdite e attendere che l'unità completi la sequenza di riscaldamento. Verrà visualizzato il messaggio READY sul display LCD e si sente "beep", a meno che non sia attenuato. Impostare il livello di sensibilità su MEDIUM.
2. Rimuovere il tappo in vinile dal flaconcino per esporre il piccolo foro di perdita come mostrato nella figura 3A di seguito. **NON TOGLIERE IL COPERCHIO NERO DALLA BOTTIGLIA.**

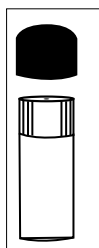


Figure 3A

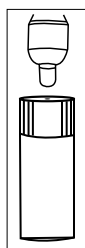


Figure 3B

3. Posizionare la punta della sonda vicino al foro piccolo (3 - 4 mm) sulla fiala di prova della perdita per non più di 3 secondi, come mostrato nella Figura 3B, fino a generare un allarme acustico. Questa sarà un'indicazione che l'unità funziona correttamente.

NOTA: qualsiasi durata superiore a 3 secondi saturerà il sensore. Vedere le precauzioni riportate di seguito. Richiudere il flaconcino con il tappo in vinile precedentemente rimosso e rimettere nella custodia.

PRECAUZIONE!

Se la fiala di prova viene mantenuta in prossimità della punta della sonda per un lungo periodo di tempo, il sensore della sonda può saturarsi. Il rilevatore di perdite lo interpreterà come un'atmosfera contaminata associata ad una grande perdita di refrigerante.

Questa precauzione si applica anche quando individua le perdite. Fare riferimento ai suggerimenti di avvio rapido su come trovare le perdite, passo # 2 per ulteriori chiarimenti.

Quando ciò si verifica, le lettere CL appaiono sullo schermo e viene visualizzato un WAIT lampeggiante per alcuni secondi, mentre il rilevatore di perdite sta rieseguendo la calibrazione al nuovo ambiente. Questo processo può richiedere alcuni secondi per completarsi. Sul display appare una luce verde READY, avvisando l'utente che l'unità è pronta per l'uso.

Se la precauzione non viene rispettata, sullo schermo può apparire CA (atmosfera contaminata), dopo un processo di autocalibrazione. L'unità può essere usata per rilevare le perdite a condizione che la leggenda READY appaia sul display. L'indicazione CA scomparirà quando l'unità ritorna ad un ambiente non contaminato e subisce un processo di autocalibrazione.

Calibrazione Manuale

L'unità regolerà continuamente la propria operazione per rilevare le perdite ad un livello ottimale. Quando si esegue questa operazione, un 'CL' appare sul display, l'indicatore di attesa si accenderà e la spia di spegnimento si spegne per alcuni secondi finché questa operazione non viene completata.

L'unità è inoltre progettata per rilevare le perdite in presenza di una contaminazione di fondo. Affinché l'unità possa determinare l'esistenza di un'atmosfera contaminata, deve avere memorizzato i dati per il sensore in aria pulita assoluta. Questi dati vengono determinati alla produzione e memorizzati in memoria.

Se un sensore viene sostituito o se l'apparecchio visualizza 'CA' quando l'operatore è connesso al 100% non c'è contaminazione nell'aria *, quindi una calibrazione manuale può essere eseguita con la seguente sequenza. Tenere premuto il tasto MUTE contemporaneamente con il tasto Peak finché non viene visualizzato un "CL" con un profilo bianco di tutti i simboli della barra. Questa procedura può richiedere fino a due minuti. Questo memorizza un nuovo set di dati di aria pulita nell'unità. Questi nuovi dati saranno ora utilizzati ogni volta che l'unità viene alimentata.

*Oltre a HFC, l'aria contaminata può essere causata anche dalla presenza di altre contaminanti come l'alcool, i profumi, i sanizzatori a mano, ecc. La calibrazione manuale deve essere effettuata in un ambiente molto pulito come ad esempio all'aperto.

SUGGERIMENTI DI AVVIO RAPIDO PER IL RILEVAMENTO DELLE FUGHE

Scrollare bruscamente la sonda o soffiare nel sensore può provocare un falso allarme del sensore. Per rilevare tale attività e ridurre al minimo la possibilità di falso allarme, il prodotto è stato dotato di sensori elettronici. Nel caso in cui venga rilevata una simile interferenza, sul display LCD lampeggerà brevemente l'indicazione INT (interferenza); il normale funzionamento potrà riprendere una volta che sarà comparsa l'indicazione READY.



1. Quando si avvia la ricerca di fughe senza conoscerne l'entità approssimativa, impostare la sensibilità dello strumento su LOW. La sensibilità LOW consentirà all'apparecchio di individuare fughe sia di medie che di grandi dimensioni.
2. Muovere lentamente la sonda a circa 3/8 di pollice (9 mm) al di sopra del punto di sospetta perdita. Se viene segnalata una perdita, allontanare la sonda per consentirne l'azzeramento. Non tenere la sonda ferma sul punto della perdita. Riportare la sonda sullo stesso punto per verifica.
3. Nel caso in cui non siano rilevate fughe con un livello basso di sensibilità, aumentare la sensibilità a MEDIUM e ripetere la procedura (2) di cui sopra.
4. Per il rilevamento di fughe estremamente piccole, di 0,1 oz/anno (2,8 grammi) o meno, deve essere utilizzata la scala di sensibilità HIGH. A causa dell'entità estremamente piccola della fuga, la punta della sonda deve essere spostata il più vicino possibile alla superficie (senza toccare fisicamente alcun oggetto). Il contatto fisico con un oggetto viene rilevato dai sensori della sonda e provoca una breve pausa (INT) nell'apparecchio.
5. Quando si cerca una fuga in un ambiente contaminato, il sensore rileverà la zona contaminata e si regolerà automaticamente in base alle nuove condizioni. Il display LCD visualizzerà CA [contaminated atmosphere > atmosfera contaminata] dopo la procedura di ritaratura, che richiederà circa un minuto. Durante il processo di ritaratura, tutte le barre verticali si illuminano, per poi spegnersi tutte in sequenza. A questo punto, la spia READY si accende e la procedura di rilevamento fughe può continuare.

GUIDA ALLA RICERCA-GUASTI

Fatta eccezione per le batterie e il sensore, le parti interne dell'apparecchio 55800 non sono riparabili in loco. Se si verifica un problema con il prodotto, consultare la tabella di diagnostica fornita in seguito.

PROBLEMA	PROBABILE CAUSA	SOLUZIONE
L'apparecchio non si accende	1) Le batterie non sono installate	Installare delle batterie nuove. Seguire le istruzioni a pagina 21.
	2) Le batterie non sono installate correttamente	Controllare la polarità delle batterie a pagina 21.
L'apparecchio si accende brevemente e poi si spegne	Le batterie sono quasi scariche	Installare delle batterie nuove. Seguire le istruzioni a pagina 21.
L'apparecchio emette un allarme continuo senza fermarsi	L'area è contaminata o ci sono dei contaminanti nelle vicinanze	Ridurre la sensibilità del cercafughe. Se il cercafughe continua a suonare anche alla sensibilità più bassa spegnere l'apparecchio. Pulire l'area da possibile contaminanti e provare di nuovo.
Sul display LCD compare il codice E2	Punta o ventola ostruita non funzionante	Svitare la punta della sonda, togliere il filtro dall'interno con un utensile di montaggio per O-ring e soffiare dell'aria attraverso i piccoli fori nella punta. Riasssemblare la sonda e testare l'apparecchio. Se il problema persiste, riportare l'apparecchio dove lo si è acquistato.
Sul display LCD compare il codice E8	Sensore guasto	Sostituire il sensore seguendo le istruzioni a pagina 21.*

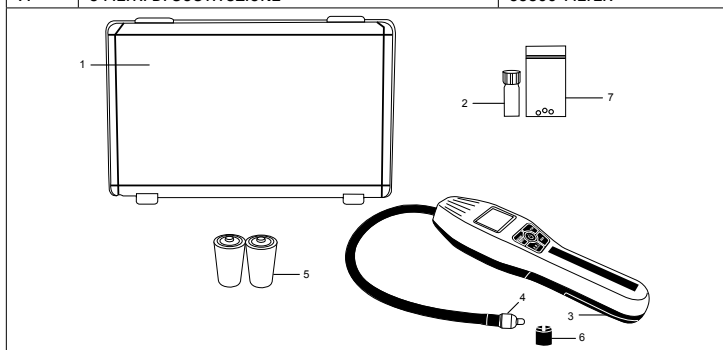
Sul display LCD compare il codice E9	Sensore mancante	Sostituire il sensore seguendo le istruzioni a pagina 21.
--------------------------------------	------------------	---

* Spegner e l'apparecchio e ritentare l'accensione diverse volte.

PARTI DI RICAMBIO

Le parti di ricambio e gli accessori per il rilevatore di perdite 55800 sono disponibili tramite lo stesso rivenditore presso il quale avete acquistato lo strumento o direttamente da Mastercool Inc.

RIF. #	DESCRIZIONE	N° PEZZO MC
1.	VALIGETTA IN PLASTICA ANTIURTO	55800-PB
2.	FIALA PER LA PROVA DI TENUTA	55800-VL
3.	COPERCHIO PER VANO BATTERIE CERCAFUGHE	55800-BATCOV
4.	SENSORE	55800-SEN
5.	2 Batterie "d"	55800-BAT2D
6.	PROTEZIONE SENSORE	55100-10042
7.	3 FILTRI DI SOSTITUZIONE	55800-FILTER



GARANZIA E RESPONSABILITÀ

Mastercool Inc. garantisce che i 55800 sono esenti da difetti di materiale e manodopera per un periodo di 1 anni dalla data di acquisto.

Mastercool Inc. non garantisce gli oggetti che si deteriorano durante il normale utilizzo, incluse le batterie, il sensore e il filtro.

Inoltre, Mastecool Inc. non garantisce questo prodotto se mostra segni di abusi. Qualsiasi prova di incidente, riparazione non autorizzata o alterazione invalida la garanzia indicata.

La responsabilità di Mastercool si limita al prodotto restituito a Mastercool, trasporto prepagato, entro e non oltre 30 giorni dopo la scadenza della garanzia, e che Mastercool determina di avere malfunzionamenti a causa di difetti di materiale o di lavorazione.

La responsabilità di Mastercool è limitata come opzione alla riparazione o sostituzione del prodotto difettoso.

⚠ AVVERTENZA: Questo prodotto può esporre a prodotti chimici tra cui il piombo e il di (2-etilhexil) ftalato, che sono noti allo Stato della California per causare cancro e difetti di nascita o altri danni riproduttivi. Per ulteriori informazioni visitare il sito www.P65Warnings.ca.gov

PRODUCTOVERZICHT

U hebt een intelligente elektronische lekdetector, model 55800, aangekocht. De kern van deze geavanceerde lekdetector bestaat uit een nieuwe metaaloxide gassensor met laag energieverbruik en deze heeft superieure prestatie-eigenschappen vergeleken met andere concurrerende producten die nog steeds oudere generaties sensoren gebruiken. Karakteristiek voor deze nieuwe sensor is de hoge gevoeligheid en de snelle respons bij het detecteren van de aanwezigheid van uiterst lage concentraties koelmiddelen en brandbare gassen. Dat is de reden waarom deze sensor werd gekozen en geïntegreerd in de 55800 lekdetector.

Daarnaast integreerden we een krachtige microprocessor in het design die automatisch de beste gebruiksinstellingen selecteert om optimale prestaties te verzekeren gedurende de volledige levensduur van de sensor. Vanaf het moment dat de unit initieel wordt opgestart, wordt een versneld opstartverwarmingsprogramma geactiveerd om het sensorelement gebruiksklaar te maken in één minuut of minder. Tijdens dit opstarten wordt een diagnostische controle van de sensor uitgevoerd en worden andere kritische parameters gecontroleerd. Wanneer de geschikte condities worden bereikt, activeert de processor de READY-melding op het lcd en laat de hoorbare 'beep' op de unit horen, enkel indien de dempfunctie is uitgeschakeld.

Vanaf dit moment is de processor in voortdurende interactie met de gebruiker, daar het de commando's ontvangen van het toetsenpaneel controleert en deze uitvoert. Daarnaast voert het zelfdiagnostische controles van de kritische elementen uit verschillende keren per seconde. Hierbij verzekert het de blijvende werking van het product. Elke afwijking van de kritische parameters van de normaal vastgelegde ontwerplimieten, elke abnormale conditie wordt gemeld aan de gebruiker op hoorbare en visuele wijze door middel van het geavanceerde, kleurrijke en gebruikersvriendelijke lcd-scherm.

Andere bijkomende handige functies worden verder in deze bedieningshandleiding gedetailleerd besproken.



WAARSCHUWING

Dit symbool dient om de gebruiker alert te maken dat er belangrijke instructies op vlak van bediening, onderhoud en service te vinden zijn in de literatuur die dit product begeleidt.

BELANGRIJKE RICHTLIJNEN

1. De 55800 lekdetector moet worden gebruikt volgens de bedieningsinstructies van de fabrikant van het gereedschap.
2. Zoek eerst visueel naar lekken, de detector uitgeschakeld.
3. Kijk visueel het gehele koelsysteem na en zoek naar tekenen van koelmiddellekken van de airconditioning, en naar schade en corrosie op alle leidingen, slangen en componenten. Elke verdachte zone moet zorgvuldig worden gecontroleerd met de detectorsonde, maar ook de fittingen, de koppelingen tussen slangen en leidingen, en de koelmiddelcontrolepunten. Servicepoorten met deksels, gesoldeerde of gelaste delen en zones rond bevestigingspunten en klemhouders op leidingen en componenten. Indien een schijnbaar grotere lek wordt nagezien, controleer eerst met de gevoeligheidsinstelling middelmatig van 7 g/yr of laag van 14 g/yr.
4. Volg altijd het koelsysteem op een continue manier zodat geen enkele zone met mogelijke lekken kan worden gemist. Ga altijd verder met het testen van de rest van het systeem na het vinden van een lek.
5. Controleer servicekleppen opnieuw zonder de kapjes. Blaas perslucht over de serviceklep om de directe omgeving te reinigen en controleer met de detector in gevoeligheidsinstelling Medium van 7 g/yr (0,25 oz/yr).
6. Beweeg de detector niet sneller dan 75 mm/sec (3 in/sec), en zo dicht mogelijk bij 9,3mm (3/8 in) van het oppervlak waarbij elke testpositie (schakelaar, sensor, koelmiddelgeleidingsverbinding, enz.) volledig moet worden omringd.
7. Het trager en dichter bewegen van de sonde maakt het waarschijnlijker een lek te vinden. Hoe dan ook moeten detectoren die zijn gemaakt voor deze standaard, een luchtstaal kunnen nemen en een lek kunnen detecteren op een afstand van 9,5 mm (3/8 in). Daarom is het aangeraden opnieuw te testen op de gevoeligste instelling wanneer kennelijk een lek werd gevonden. Dit moet zeker worden gedaan wanneer de sonde zich in een statische positie bevond bij het verbindingstuk of wanneer het fysiek contact maakte met een verbindingstuk terwijl het bewoog. Herhaal de test met een bewegende sonde op die locatie waarbij een kleine afstand (9,5 mm of 3/8 in) moet worden behouden om te kunnen bevestigen dat de lek van herstelbare grootte is. Het kan ook erg nuttig zijn om een Medium gevoeligheidsinstelling van 7 g/yr (0,25 oz/yr) te gebruiken op de detector, na het vermoedelijk vinden van een lek met de hoge (High) gevoeligheidsinstelling van 4 g/yr (0,15 oz/yr).

SPECIFICATIES

Sensorelement:	Verwarmd tinoxide-element
Levensduur van de sensor:	2000 uur
Koelmiddelen:	Detecteert alle koelmiddelen, brandbare gassen en waterstof/stikstofmengsels (CFC, HFC, HCFC en blends) Apparaat is getest en goedgekeurd voor R1234yf, R32 en R410A
Gevoeligheidsniveaus:	HIGH: 0,05 oz/yr (1,5 g/yr) MEDIUM: 0,25 oz/yr (7 g/yr) LOW: 0,50 oz/yr (14 g/yr)
Responstijd:	Minder dan 1 seconde
Batterij:	2 D Alkaline 12000 mAh batterijen
Levensduur van de batterij:	60 uur
Gebruikstemperatuur:	0°F tot 120°F

Gewicht:	1 lb 8 oz
Beeldscherm:	40 mm (b) x 30 mm (h), progressief kleuren lcd-beeldscherm met 10 verticale streepjes

FUNCTIES

De "Super Sensitive Function" maakt het apparaat gevoeliger dan de standaard instellingen, voor het lokaliseren van kleine lekken koelmiddelen zoals R1234yf en R407C

Eigenschappen van het beeldscherm:

- Geeft de relatieve grootte van de gedetecteerde lekken weer.
- Visuele weergave van de geselecteerde gevoeligheid (hoog, middelmatig of laag).
- Geeft de bereidheidsstatus van de unit weer (wachten, klaar of interferentie).
- Geeft de geselecteerde modus van de unit weer (peak, hold of mute).
- Meldt en geeft fouten in de toestand van de unit weer.
- Geeft op aanvraag de geaccumuleerde sensoruren weer.
- Indicateur bij zwakke batterij.

Sonde:

- Intelligente tip, met een omgevingsgevoelig element om mogelijke valse alarmen te vermijden.
- Flexibele 15,5 inch sondelengte voor moeilijk te bereiken plaatsen.

Toetsenpaneelknoppen:

- ON/OFF-knop (druk-on/druk-off)
- Volume/Mute-knop (hoog, laag of gedempt)
- Gevoeligheidsknop voor het selecteren van gevoeligheidsniveau hoog, middelmatig of laag
- Hold-knop om de signaalstreepjes te behouden (druk enable/disable)
- Peak-knop wanneer er meerdere lekken worden vermoed (druk enable/disable)

SCHAKEL DE UNIT ON

Druk kortstondig op de middelste ON/OFF-knop op het toetsenpaneel. Bij het ontvangen van het ON-commando verschijnt de volgende informatie op het lcd-scherm:

- Alle verticale streepjes lichten op.
- De rode WAIT-melding begint te knipperen.
- Er verschijnt een A of een F op het scherm, afhankelijk van het gedetecteerde koelgas.

LET OP:

- *Bij de meeste CFK's, HFK's, HCFC's wilt u in de A-modus werken.*
- *Enkel bij het werken met moeilijk te detecteren gassen zoals R1234yf en R407C, of gewoon om het gevoeligheidsniveau te verhogen buiten de normale instellingen kan u gebruik maken van de F-modus. Let op: de F-modus zal te gevoelig zijn voor meeste toepassingen en enkel nodig in extreme gevallen.*
- Naarmate de sensor warmer wordt, beginnen de verticale streepjes een per een te verdwijnen tot alle streepjes weg zijn.
- Wanneer dit gebeurt, verdwijnt de rode WAIT-melding en een groene READY-melding verschijnt.
- De unit begint met 'beep' tenzij het is gedempt waarbij MUTE op het lcd verschijnt.
- Bij het opstarten begint de unit telkens in de lage gevoeligheidsinstelling.

FUNCTIE BATTERIJBEWAKING

Een automatische timer schakelt het apparaat uit na 3 minuten inactiviteit. De timer wordt gereset telkens wanneer het apparaat alarmeert of wanneer een toets wordt ingedrukt.

EEN ANDER GEVOELIGHEIDSNIVEAU SELECTEREN

Druk de SENSITIVITY-knop op het toetsenpaneel om de gevoeligheidsinstelling van de unit te veranderen.

EEN ANDER KOELMIDDEL EN GEVOELIGHEID INSTELLEN

Om het koelmiddel te wijzigen van A naar F modus of vice versa, druk en houd de PEAK-toetsenpaneelknop ingedrukt tot het koelmiddel weergegeven op het lcd verandert. Na enkele seconden schakelt de unit zichzelf uit om het nieuwe koelmiddel te bewaren. Wanneer dit gebeurt druk op de ON-toetsenpaneelknop om de unit opnieuw in te schakelen. De unit zal de normale opstartsequentie beginnen. Het geselecteerde koelmiddel zal in het geheugen blijven wanneer de unit is uitgeschakeld.

DE HOLD-FUNCTIE SELECTEREN

Om de HOLD-functie te activeren, druk kortstondig op de HOLD-toetsenpaneelknop. Het lcd zal een H-melding weergeven om te tonen dat de hold-functie is geactiveerd.

De HOLD-functie werd geïmplementeerd om de gebruiker de mogelijkheid te geven lekken te zoeken in moeilijk te doorzoeken locaties. Deze functie behoudt de relatieve grootte van een gedetecteerde lek op het lcd gedurende een onbepaalde tijdsperiode of tot een andere lek wordt gedetecteerd waarbij de vorige lekweergave wordt gewist en het nieuwe lek wordt weergegeven op het lcd. Wanneer de HOLD-knop opnieuw wordt ingedrukt, verlaat de unit de hold-modus en gaat verder met de normale werking.

DE PEAK-FUNCTIE SELECTEREN

Om de Peak-functie te activeren druk kortstondig op de PEAK-toetsenpaneelknop. Het lcd zal het woord PEAK weergeven en alle verticale streepjes zullen wit worden afgetekend.

De PEAK-functie werd geïmplementeerd om het grootste lek weer te geven in een systeem met verschillende lekken. Wanneer het eerste lek wordt gedetecteerd, zal het laatste verticale streepje oplichten na het afgaan van het alarm. Wanneer de volgende keer een lek wordt gedetecteerd en het lek is kleiner dan het eerste gedetecteerde lek, blijft het oorspronkelijke laatste verticale streepje oplichten. Indien een ander lek wordt gedetecteerd, maar dit lek is groter dan het eerste lek, licht het laatste verticale streepje van het grotere lek op. Indien door een gedetecteerde lek alle streepjes oplichten, is dit een indicatie dat de gevoeligheid van de unit moet worden verminderd. Om de PEAK-modus te verlaten, druk kortstondig de PEAK-toetsen-

paneelknop.

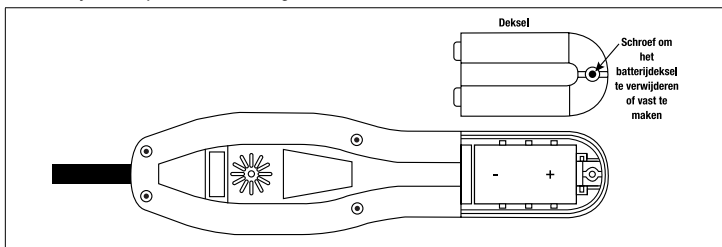
OM HET VOLUME TE VERANDEREN

De VOLUME-toetsenpaneelknop controleert de normale en lage volumes van de 'beep'-tonen en dempt de tonen. Telkens de VOLUME-knop wordt ingedrukt, toont het lcd aan de gebruiker de staat van de volumeregelaar. Indien het normale volume is geselecteerd, geeft het lcd kortstondig 10 verticale streepjes weer. Indien het laag volume werd geselecteerd, geeft het lcd kortstondig 5 verticale streepjes weer. Wanneer MUTE is geselecteerd, geeft het lcd de MUTE-melding weer. Wanneer de unit in MUTE is, worden enkel de 'beep'-tonen gedempt. De alarmen zullen blijven werken op het normaal niveau telkens een lek wordt gedetecteerd.

ONDERHOUD

Om de alkaline batterijen te plaatsen of te vervangen

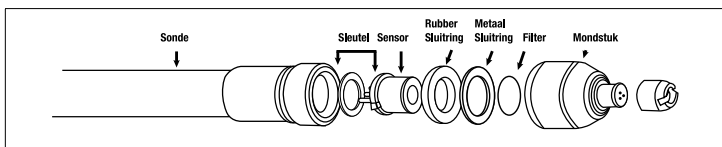
Verwijder het batterijdeksel zoals getoond op Afbeelding 1 en verwijder de bestaande batterijen. Het kan nuttig zijn de unit verticaal te draaien en de beide batterijen eruit te schudden. Plaats twee alkaline batterijen van grootte D met de polariteiten zoals getoond op Afbeelding 1. Plaats het batterijdeksel opnieuw en bevestig met de dekselschroef.



Afbeelding 1

De sensor vervangen

Om de sensor te vervangen, neem de flexibele sonde stevig vast met één hand bij het uiteinde en gebruik het andere hand om het mondstuk los te schroeven van de sondetip in tegenwijzerzin. Vervolgens verwijder de metalen sluitring, de rubber sluitring en de sensor, en dit in deze volgorde. Controleer de richting van de sleutel op de verwijderde sensor. Het is aangeraden de filter in het mondstuk tegelijkertijd te vervangen. Om het microfiltratiemembraan te verwijderen uit het mondstuk moet een lang fijn voorwerp worden gebruikt zoals een o-ring picker of iets dergelijks.



Afbeelding 2

Wanneer een nieuwe sensor wordt geïnstalleerd, plaats de sleutel van de sensor in dezelfde richting als de sleutelgleuf op de sonde waarbij de 3 pinnen van de sensor in de juiste pinnen van het uiteinde van de sonde moeten worden geplaatst. Controleer of de sensor correct in de sonde werd geplaatst. Vervolgens plaats de rubber sluitring zoals getoond in Afbeelding 2, gevolgd door de metalen sluitring. Plaats de nieuwe filter en schroef het mondstuk erop terwijl de andere hand het uiteinde van de sonde stevig vasthoudt. **GEBRUIK GEEN GEREEDSCHAP** voor het sluiten van het tipgeheel, maar sluit stevig met de hand.

Lektestflesje

Een lektestflesje wordt bij uw lekdetector geleverd om te controleren of hij correct werkt.

1. Zet de lekdetector AAN en wacht totdat het apparaat klaar is met opwarmen. Er verschijnt een groene READY op het LCD-scherm en de hoorbare "pieptoon" zal beginnen, tenzij hij gedempt is (Mute). Stel het gevoeligheidsniveau in op MEDIUM.
2. Verwijder de vinylkap van de injectieflacon om het kleine lekgat bloot te leggen zoals weergegeven in onderstaande afbeelding 3A. **DRAAI HET ZWARTE KAPJE NIET VAN DE FLES**

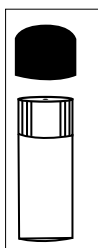


Figure 3A

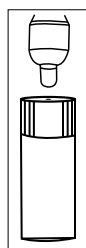


Figure 3B

3. Plaats de sensortip vlak bij het kleine gaatje (3 - 4 mm) op de lektestflacon gedurende niet meer dan 3 seconden, zoals weergegeven in afbeelding 3B, totdat een hoorbaar alarm wordt gegenereerd. Dit is een indicatie dat het apparaat correct werkt.

OPMERKING: Elke duur langer dan 3 seconden zal de sensor verzadigen. Zie onderstaande voorzorgsmaatregelen. Verzegel de flacon met de eerder verwijderde vinylkap en berg hem terug op.

VOORZORGSMAATREGEL!

Als het testflacon gedurende een langere periode dicht bij de punt van de sonde wordt gehouden, kan de sondesensor verzadigen. De lekdetector interpreteert dit als een verontreinigde atmosfeer in verband met een groot koelmiddellekkage.

Deze voorzorgsmaatregel is ook van toepassing bij het lokaliseren van lekken. Raadpleeg Snelstarttips voor meer informatie hierover, stap # 2 voor verdere verduidelijking.

Wanneer dit gebeurt, verschijnen de letters CL op het scherm en wordt een knipperend WAIT gedurende enkele seconden weergegeven, terwijl de lekdetector zichzelf opnieuw kalibreert naar de nieuwe omgeving. Dit proces kan enkele seconden duren om te voltooien. Er verschijnt een groen READY-lampje op het display, dat de gebruiker waarschuwt dat het apparaat klaar is voor gebruik. Als de bovenstaande voorzorgsmaatregel niet wordt opgevolgd, kan CA (verontreinigde atmosfeer) op het scherm verschijnen na een zelfkalibratieproces. Het apparaat kan worden gebruikt om lekkages te detecteren, op voorwaarde dat de READY legende op het display wordt weergegeven. De CA-indicatie zal uiteindelijk verdwijnen wanneer de eenheid terugkeert naar een niet-verontreinigde omgeving en een zelfkalibratieproces ondergaat.

HANDMATIGE KALIBRATIE

Het apparaat zal zichzelf voortdurend aanpassen om lekken op een optimaal niveau te detecteren. Wanneer dit gebeurt, knippert er een 'CL' op het display, de WAIT-indicator gaat aan en het READY-lampje blijft een paar seconden uit totdat deze handeling is voltooid. De eenheid is ook ontworpen om lekken te detecteren in de aanwezigheid van achtergrondverontreiniging. Om te zorgen dat het apparaat de vaststelling doet dat er een verontreinigde atmosfeer is, moet het gegevens voor de sensor in absolute schone lucht hebben opgeslagen. Deze gegevens worden bij de productie bepaald en in het geheugen opgeslagen. Als een sensor wordt vervangen of als op het apparaat 'CA' wordt weergegeven als de gebruiker er 100% zeker van is dat er geen verontreiniging in de lucht * is, kan een handmatige kalibratie worden uitgevoerd met de volgende reeks. Houd de MUTE-toets gelijktijdig met de Piek-toets ingedrukt totdat een "CL" wordt weergegeven, samen met een witte omtrek van alle staafsymbolen. Deze procedure kan tot een minuut of twee duren. Hiermee wordt een nieuwe set gegevens voor schone lucht in het apparaat opgeslagen. Deze nieuwe gegevens worden nu gebruikt elke keer dat het apparaat wordt opgestart.

* Naast HFC's kan vervuilde lucht ook worden veroorzaakt door de aanwezigheid van andere verontreinigingen zoals alcohol, parfums, handdesinfectiemiddelen, enz. De handmatige kalibratie moet in een zeer schone omgeving worden uitgevoerd, zoals buitenshuis.

SNELLE BEGINTIPS OVER HOE LEKKEN KUNNEN WORDEN GEVONDEN

Een plotse snelle beweging van de sonde of het blazen in de sensor kan een vals alarm veroorzaken in de lekdetector. Elektronische sensoren werden geïmplementeerd in het product om dit te detecteren en om zo'n vals alarm te verminderen en te minimaliseren. In het geval zo'n interferentie wordt gedetecteerd, zal het lcd kortstondig een knipperende INT (interferentie)-melding weergeven totdat de normale werking kan verdergaan na het verschijnen van de READY-melding.



1. Bij het starten van het zoeken naar lekken waarbij er geen algemene kennis van de grootte van het lek is, moet de instrumentgevoeligheid op LOW worden ingesteld. De gevoeligheid LOW zal het mogelijk maken voor de unit om zowel middelmatige als grote lekken op te sporen.
2. Beweeg de sonde traag ongeveer 3/8 inch (9 mm) boven de zones met de vermoede lekken. Beweeg de sonde voorbij het lek om de sonde de mogelijkheid te geven zich te zuiveren indien een lek werd gedetecteerd. Houd de sonde niet op de plaats van het lek. Ter verificatie breng de sonde terug naar de zone waar het lek werd gedetecteerd.
3. In het geval geen lekken werden gevonden met een gevoeligheidsinstelling LOW, verhoog de gevoeligheid naar MEDIUM en herhaal de bovenstaande stap (2).
4. Om uiterst kleine lekken 0,1 oz/yr (2,8 gram) of kleiner op te sporen moet de gevoeligheidsschaal HIGH worden gebruikt. Daar de grootte van het lek uiterst klein is, moet de tip van de sonde zo dicht mogelijk bij het oppervlak (zonder enig voorwerp fysiek aan te raken) worden bewogen. Het fysiek aanraken van een voorwerp zal worden gedetecteerd door de sondesensoren met een korte INT (interrupt) van de detector als gevolg.
5. Bij het sonderen naar een lek in een verontreinigde omgeving, zal de sensor de verontreinigde zone detecteren en zal zich automatisch aanpassen aan de nieuwe condities. Het lcd zal CA (contaminated atmosphere, verontreinigde atmosfeer) weergeven op het scherm nadat het door het herkalibratieproces is gegaan dat ongeveer een minuut duurt. Tijdens het herkalibratieproces lichten alle verticale streepjes op en verdwijnen van groot naar klein tot alle streepjes weg zijn. Op dit moment verschijnt het READY-lichtje en het lekdetectieproces kan verdergaan.

PROBLEEMOPLOSSINGSGIDS

Met uitzondering van de batterijen en de sensor, kunnen de interne onderdelen van de 55800 niet ter plaatse worden vervangen. Indien u een probleem ondervindt met het product, bekijk eerst de onderstaande probleemoplossingstabel.

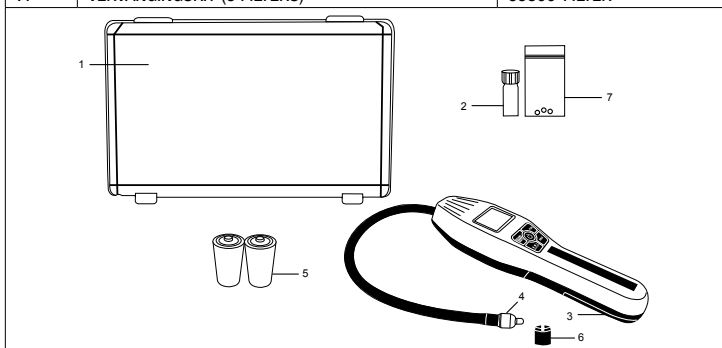
PROBLEEM	MOGELIJKE OORZAAK	OPLOSSING
De unit start niet op	1) Er zijn geen batterijen geplaatst	Plaats nieuwe batterijen. Volg de instructies op pagina 25
	2) De batterijen werden niet correct geplaatst	Controleer de polariteit voor het plaatsen van batterijen op pagina 25.
De unit start kort op en sluit dan OFF	De batterijen zijn heel zwak	Plaats nieuwe batterijen. Volg de instructies op pagina 25.
Het alarm van de unit werkt voortdurend zonder stoppen	De zone is verontreinigd of er zijn verontreinigingen dichtbij	Verminder eerst de gevoeligheid van de detector. Indien deze nog biept in de laagste stand, zet hem dan uit. Zuiver de omgeving van contaminanten en probeer opnieuw.
E2-code verschijnt op het lcd	Verstopte tip of de ventilator werkt niet	Schroef de sondetip los, verwijder de filter met een o-ring picker en blaas perslucht door de kleine gaatjes in de tip. Monteer de sonde opnieuw en controleer de unit. Indien het probleem blijft, breng de unit terug naar de plaats van aankoop.

E8-code verschijnt op het lcd	Slechte sensor	Vervang de sensor volgens de instructies op pagina 25.*
E9-code verschijnt op het lcd	Mankerende sensor	Vervang de sensor volgens de instructies op pagina 25.*
*Schakel de unit uit en probeer verschillende keren opnieuw op te starten.		

VERVANGINGSONDERDELEN

Onderdelen en accessoires voor de 55800 Lekzoeker zijn beschikbaar via hetzelfde verdeler waar u het toestel gekocht of informeert u bij Mastercool Europe.

REF. NR.	BESCHRIJVING	MC ONDERDEEL NR.
1.	GEBLAZEN KUNSTSTOFKOFFER	55800-PB
2.	LEKTESTFLESJE	55800-VL
3.	BATTERIJDEKSEL VOOR 55800 LEKDETECTOR	55800-BATCOV
4.	SENSOR	55800-SEN
5.	2 "D" BATTERIJEN	55800-BAT2D
6.	SENSORBESCHERMER	55100-10042
7.	VERVANGINGSKIT (3 FILTERS)	55800-FILTER



GARANTIE EN AANSPRAKELIJKHEID

Mastercool Inc garandeert dat uw 55800 koelmiddel Lekdetector vrij is van materiaaldefecten en fabricagefouten gedurende een periode van 1 jaar vanaf de datum van aankoop.

Mastercool, Inc. Sluit deze garantie uit in geval van slijtage bij normaal gebruik, inclusief batterijen, sensor en filter. Bovendien valt duidelijk bewijs van foutief buiten de garantie. Bij bewijs van ongeval, ongeautoriseerde reparatie of wijziging vervalt tevens de garantie.

Aansprakelijkheid van Mastercool is beperkt tot het product teruggebracht naar Mastercool vervoerkosten vooruitbetaald, niet later dan 30 dagen na verval van de garantie en Mastercool bepaalt de garantie wanneer gevolg van materiaal-of fabricagefouten. Mastercool behoudt hierbij de keuze tot de reparatie of vervanging van het defecte product of onderdeel.

⚠ WAARSCHUWING: Dit product kan u blootstellen aan chemicaliën, waaronder lood en Di (2-ethylhexyl) ftalaat, die bekend staan voor de staat Californië om kanker en geboortefwijkingen of andere voortplantingsschade te veroorzaken. Voor meer informatie, ga naar www.P65Warnings.ca.gov

VISÃO GERAL DO PRODUTO

Você adquiriu um detector de vazamento inteligente, modelo 55800. O coração deste avançado detector de vazamento é o sensor de óxido de metal com característica superior de alto desempenho se comparado com seus concorrentes que utilizam sensores de tecnologia antiga. O novo sensor é caracterizado pela alta sensibilidade e rápida resposta detectando a presença de níveis de vazamento extremamente pequenos de refrigerantes e gases inflamáveis. Por esta razão este sensor foi selecionado para integrado ao detector de vazamento 55800.

Adicionalmente nos integramos um potente microprocessador ao projeto que seleciona automaticamente as melhores condições de operação para o sensor garantindo ótimo desempenho por toda a vida do sensor. Desde o momento que o aparelho é ligado, um programa de inicialização rápida foi incorporado, para que o aparelho esteja pronto para leitura em 1 minuto ou menos. Durante este período ocorre uma verificação do sensor e a parâmetros críticos são conferidos. Uma vez atingida a condição ideal, o processador disponibiliza a leitura READY no visor e inicia um "beep" audível desde que o recurso mudo esteja desabilitado.

A partir deste ponto o processador continua interagindo com o usuário monitorando os comandos recebidos através do teclado e executando-os, bem como a verificação do desempenho múltiplas vezes a cada segundo, assim garantindo e mantendo a operação contínua do aparelho. Qualquer desvio dos parâmetros críticos em relação ao programado será diagnosticado ao usuário através de alarme audível e visual, usando um avançado visor colorido de uso amigável.

Características adicionais e benefícios são detalhadas e explicadas mais profundamente neste manual de operação.



CUIDADOS

Este símbolo tem o propósito de alertar o usuário da presença de instruções de manutenção ou assistência técnica e operações importantes na literatura que acompanha este produto.

ORIENTAÇÕES IMPORTANTES

1. O Detector de vazamento 55800 deve ser operado em concordância com as instruções de operação do fabricante.
2. Teste de vazamento com a unidade desligada.
3. Visualmente rastrear todo o sistema de refrigeração e inspecionar se há sinais de vazamento de lubrificante ar condicionado, danos e corrosão em todas as linhas, mangueiras e componentes. Cada área questionável devem ser cuidadosamente verificados com o detector, bem como acessórios, conexões de mangueiras, e controles de refrigerante. Entradas de serviço com as tampas no lugar, áreas soldadas ou brasadas e áreas ao redor de pontos de fixação e suportes de espera nas linhas e componentes. Se procura um vazamento aparentemente maior, verifique primeiro usando a sensibilidade média 7 g/ano ou baixa 14 g/ano.
4. Siga sempre o sistema de refrigeração em torno de um caminho contínuo para que nenhuma área de possíveis vazamentos seja esquecida. Se for encontrado um vazamento, sempre continue a testar o restante do sistema.
5. Verifique novamente válvulas de serviço com tampas removidas. Assopre ar sobre válvula de serviço para limpar área e, em seguida, verifique com o detector ajustado a 7 g/ ano (0,25 oz/ ano) sensibilidade Média.
6. Mover o detector a uma velocidade inferior a 75 mm/s (3 pol/s) e o mais perto possível aproximadamente 9,3 mm (3/8 de polegada) a partir da superfície que rodeia completamente cada posição de teste (interruptor, sensor de, tubo de refrigerante, conexão etc).
7. Movimento mais lento e maior aproximação do sensor melhora a probabilidade de encontrar um vazamento. No entanto, detectores feitos para atender este padrão são obrigados a detectar um vazamento em uma distância de 9,5 mm (3/8"). Portanto, é aconselhável refazer o teste na configuração mais sensível, quando um vazamento parecer ser encontrado, principalmente se o sensor estava em uma posição estática em um contato físico. Repita o teste com o sensor se movendo naquele local, tendo o cuidado de manter uma pequena diferença (9,5 mm ou 3/8") para confirmar que o vazamento é de um tamanho reparáveis. Usando a sensibilidade média de 7 g/ano (0,25 oz/ano) de ajuste no detector, depois de encontrar uma aparente fuga com 4 g/ano (0,15 oz/ano) definição de alta sensibilidade, pode também ser muito útil.

ESPECIFICAÇÕES

Sensibilidade do sensor:	Elemento óxido de metal aquecido
Vida do sensor:	2.000 horas
Refrigerantes:	Detecta todos os refrigerantes, gases combustíveis e mistura hidrogênio / nitrogênio (CFC, HFC, HCFC e misturas) A unidade foi testada e aprovada para trabalhar com R1234yf, bem como R32 e R410a
Níveis de sensibilidade:	ALTA: 1,5 g/ano (0.05 onça/ ano) MÉDIA: 7 g/ano (0.25 onça/ ano) BAIXA: 14 g/ano (0.50 onça/ ano)
Tempo de resposta:	Menor que 1 segundo
Bateria:	2 Baterias alcalinas D 12000mAh.
Vida da bateria:	60 horas
Temperatura de operação:	- 17 a 49°C (0°F até 120°F)
Peso:	0,68 kg (1lb 8onça)
Visor:	40mm (L) x 30mm (A), visor LCD cores progressivas 10 barras verticais.

CARACTERÍSTICAS

"Função de Super Sensibilidade" permite sensibilidade além da característica padrão para

localizar micro vazamentos com gases tais como R1234yf e R407C

Propriedades do Visor:

- Mostrar magnitude relativa dos vazamentos detectados
- Indicação visual da gama de sensibilidade seleccionada (elevado, médio ou baixo).
- Exibe o estado de prontidão da unidade (espera, pronto ou interferência).
- Exibe o modo seleccionado da unidade (pico, fixar ou mudo).
- Anuncia e exibe condições de falha da unidade.
- Exibe horas acumuladas do sensor quando solicitado.
- Indicador de bateria fraca

Sensor:

- Sensor inteligente, elimina contaminação ambiente para evitar o potencial de alarmes falsos.
- Flexível 39,3cm (15,5”) de comprimento para locais de difícil acesso.

Controles do teclado:

- Botão liga/ desliga (empurra ON/ empurra OFF)
- Botão de Volume/ Mudo (Alto, Baixo e Mudo)
- Botão de sensibilidade para Alta, Média e Baixo nível de sensibilidade
- Botão Hold para fixar a barra de leitura (empurra habilita/ desabilita)
- Botão de pico quando múltiplos vazamento são localizados (empurra habilita/ desabilita)

LIGANDO A UNIDADE

Pressione por um momento o botão ON/OFF no teclado. Quando o comando ON for recebido as seguintes informações irão aparecer no visor:

- Todas as barras verticais acenderão
- A legenda WAIT começa a piscar
- Iguualmente A ou F aparece na tela, dependendo do refrigerante detectado.

FAVOR NOTAR:

- *Quando trabalhar com CFCs, HFCs e HCFCs utilizar no modo A*
- *Quando trabalhar com gases de mais difícil detecção tais como R1234yf, R407C ou simplesmente com níveis mais elevados de sensibilidade use o modo F. Este nível de sensibilidade é muito além do necessário na maioria dos casos use somente em situações extremas.*
- Com o aquecimento do sensor, as barras verticais começam a apagar uma a uma até que todas apaguem.
- Quando isto ocorre a legenda vermelha WAIT desaparece e a legenda verde READY aparece.
- A unidade inicia um “beep” a menos que esteja mudo, neste caso, a legenda MUTE será exibida no visor.
- O equipamento sempre inicia no nível de sensibilidade baixo.

PRESERVAÇÃO DE BATERIA

Um temporizador automático desliga a unidade após 3 minutos de inatividade. O temporizador é reiniciado sempre que a unidade é alarmada ou quando qualquer tecla está pressionada.

SELECIONANDO UM NÍVEL DE SENSIBILIDADE DIFERENTE NÍVEL

Pressione o botão SENSITIVITY no teclado para mudar a sensibilidade do equipamento.

SELECIONANDO UM REFRIGERANTE DIFERENTE SENSIBILIDADE

Para mudar o refrigerante de A para F e vice versa, pressione e segure a tecla PEAK até que a mudança de refrigerante seja exibida no visor. Em poucos segundos a unidade irá se desligar para armazenar o novo refrigerante. Quando isto ocorrer pressione ON no teclado para ligar a unidade. O equipamento irá iniciar o processo normal de inicialização. O refrigerante sensibilidade seleccionado irá permanecer na memória quando a unidade for desligada.

SELECIONANDO A FUNÇÃO ESPERA

Para habilitar a função HOLD, pressione e segure o botão HOLD. O visor LCD mostrará a letra H para indicar que a função foi habilitada.

A função HOLD foi implementada com o propósito de permitir ao usuário procurar vazamentos em condições adversas. Esta característica retém um nível de magnitude de vazamento por um período de tempo indefinido até que um outro vazamento seja detectado, neste caso, o vazamento anterior será apagado e o novo vazamento será exibido no visor. Quando o botão HOLD for pressionado novamente a unidade irá sair deste modo e voltar a condição normal de operação.

SELECIONANDO A FUNÇÃO DE PICO

Para habilitar a função de pico, pressione a tecla PEAK por um instante no painel. O visor LCD irá exibir a palavra PEAK e todas as barras verticais serão contornadas em branco.

A função de pico foi implementada com o propósito de identificar o maior vazamento do sistema com vários vazamentos. Quando o primeiro vazamento é detectado, a última barra vertical permanecerá acesa após o alarme. A próxima vez que for detectado um vazamento, se este for menor do que o primeiro vazamento detectado, a penúltima barra vertical original permanecerá acesa. Se outro vazamento for detectado, mas esse vazamento excedeu o primeiro vazamento, a última barra vertical da fuga maior vai se tornar iluminada. Se detectado um vazamento acender-se todas as barras, esta é uma indicação de que a sensibilidade da unidade deve ser diminuída. Para sair do modo de pico, momentaneamente pressione o botão PEAK do teclado.

PARA ALTERAR O VOLUME

A tecla VOLUME do teclado controla os volumes normais e baixos de tons “bip” e silêncio. Cada vez que o teclado VOLUME está pressionado, o LCD comunica ao usuário o estado do controle de volume. Se o volume normal é seleccionado, o LCD exibirá momentaneamente 10 barras verticais. Se o volume baixo foi seleccionado, o LCD exibirá momentaneamente 5 barras verticais. Quando MUTE é seleccionado, a tela LCD exibirá a palavra MUTE. Quando a unidade está em MUTE, somente os tons “bip” são silenciados, os alarmes vão continuar a anunciar no nível normal, sempre que for detectado um vazamento.

MANUTENÇÃO

Para instalar ou substituir as pilhas alcalinas

Retire a tampa da bateria como mostrado na Figura 1 e retire as pilhas existentes. Remova facilmente colocando o aparelho na vertical e sacudir as duas baterias. Instale duas pilhas alcalinas tamanho D com as polaridades mostradas na Figura 1. Volte a instalar a tampa da bateria e prenda com o parafuso da tampa.

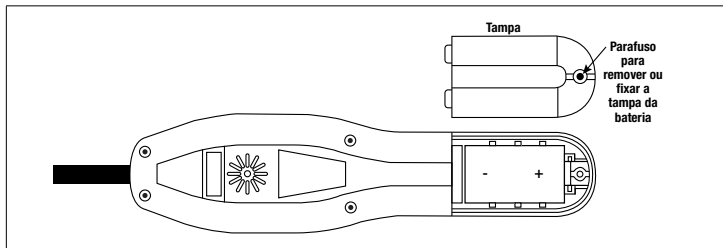


Figura 1

Substituição do sensor

Para substituir o sensor, segure firme a sonda flexível perto do final com uma mão e use a outra mão para desapertar o bocal da ponta da sonda de rosca no sentido anti-horário.

Em seguida, remova a arruela de metal, a anilha de borracha e o sensor, nesta ordem. Observe a orientação da chave no sensor a ser removido. É aconselhável substituir o filtro no interior do bocal ao mesmo tempo. Para remover a membrana de microfiltração do interior do bocal, use o apoio de um objeto longo e fino, tal como um pegador de O-ring ou equivalente.

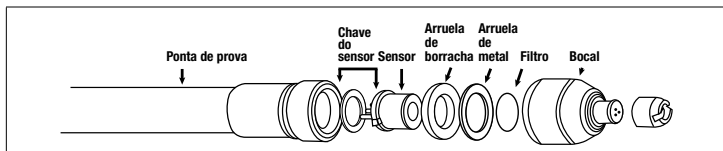


Figura 2

Ao instalar um novo sensor, orientar a tecla de tabulação no sensor com a chave de fenda sobre a sonda, assegurando que os três pinos do sensor são inseridos nos pinos apropriadamente dentro da extremidade da sonda. Verifique se o sensor foi inserido corretamente a sonda. Em seguida instale o anel de borracha, como mostrado na Figura 2, seguindo-se a anilha de metal. Introduza novo filtro e rosqueie o bocal enquanto segura firmemente a extremidade da sonda com a outra mão. NÃO utilize quaisquer ferramentas em apertar o conjunto de ponta, aperte firmemente apenas manualmente.

Padrão para Teste de vazamento

Um frasco de teste padrão de vazamento é fornecido com seu detector de vazamento para verificar se o detector está funcionando corretamente.

1. Ligue o detector de vazamento e aguarde até que a unidade complete sua seqüência de aquecimento. Um verde READY será exibido no LCD e o "beep" audível começará, a menos que seja silenciado. Defina o nível de sensibilidade para MEDIUM.
2. Remova a tampa de vinil do frasco para expor o pequeno orifício de vazamento, conforme mostrado na Figura 3A abaixo. NÃO DESROSQUEIE O TAMPÃO PRETO DO FRASCO.

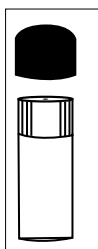


Figure 3A

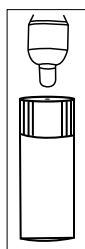


Figure 3B

3. Coloque a ponta da sonda perto do orifício pequeno (3 - 4 mm) no frasco de teste de vazamento por não mais de 3 segundos, como mostrado na Figura 3B, até que um alarme sonoro seja gerado. Isso será uma indicação de que a unidade está funcionando corretamente.

NOTA: Qualquer duração maior que 3 segundos irá saturar o sensor. Veja as precauções abaixo. Reponha a tampa de vinil previamente removida no frasco padrão e guarde na maleta.

PRECAUÇÃO!

Se o frasco de teste for mantido na proximidade da ponta da sonda por um longo período de tempo, o sensor da sonda pode saturar. O detector de vazamento irá interpretar isso como uma atmosfera contaminada associada a um grande vazamento de refrigerante.

Esta precaução também se aplica ao localizar vazamentos. Consulte as dicas de início rápido sobre como encontrar vazamentos, etapa 2 para esclarecimentos adicionais.

Quando isso ocorre, as letras CL aparecerão na tela e um WAIT piscando será exibido por vários segundos, enquanto o detector de vazamento está sendo recalibrado para o novo ambiente. Este processo pode levar vários segundos para ser concluído. Uma luz verde READY aparecerá na tela, alertando o usuário de que a unidade está pronta para uso.

Se a precaução acima não for seguida, CA (atmosfera contaminada) pode aparecer no visor, após um processo de auto-calibração. A unidade pode ser usada para detectar vazamentos desde que a legenda READY apareça no visor. A indicação da CA acabará por desaparecer quando a unidade retornar a um ambiente não contaminado e sofrer um processo de auto-calibração.

Manual Calibration

A unidade irá auto-ajustar sua operação de forma contínua para detectar vazamentos em um nível ótimo.

Quando isso ocorre, um 'CL' piscará no visor, o indicador de espera irá ligar e a luz pronta será desligada por alguns segundos até que esta operação seja concluída.

A unidade também é projetada para detectar vazamentos na presença de uma contaminação de fundo. Para que a unidade faça a determinação de que há uma atmosfera contaminada, deve ter dados armazenados para o sensor em ar puro absoluto. Esses dados são determinados na produção e armazenados na memória.

Se um sensor for substituído ou se a unidade exibir 'CA' quando o operador estiver 100% seguro de que não há contaminação no ar *, então uma calibração manual pode ser realizada pela seguinte sequência. Mantenha pressionada a tecla MUTE simultaneamente com a tecla Peak até aparecer um "CL" juntamente com um contorno branco de todos os símbolos da barra. Este procedimento pode demorar até um minuto ou dois.

Isso irá armazenar um novo conjunto de dados de ar limpo na unidade. Estes novos dados serão utilizados sempre que a unidade for ligada.

* Ao lado do HFC, o ar contaminado também pode ser causado pela presença de outros contaminantes, como álcool, perfumes, desinfetantes de mão, etc. A calibração manual deve ser feita em um ambiente muito limpo, como o exterior.

DICAS PARA INICIO RÁPIDO SOBRE COMO ENCONTRAR VAZAMENTOS



Um movimento súbito da sonda ou assoprar no sensor pode fazer com que o detector acuse falso alarme. Sensores eletrônicos são incorporados no produto para detectar tal ação e para reduzir e minimizar tais alarmes falsos. Em caso deste tipo de interferência, o LCD exibirá a palavra INT (interferência) piscando momentaneamente, em seguida, a operação normal retoma e é exibido a palavra READY.

1. Ao iniciar a busca de vazamentos, sem o conhecimento geral de sua magnitude, defina a sensibilidade do instrumento para LOW. A baixa sensibilidade vai permitir a unidade localizar médios, bem como grandes vazamentos.
2. Mova lentamente a sonda a aproximadamente 3/8" (9 mm) acima da área de suspeita de vazamento. Mover a sonda após o vazamento para permitir que ela se limpe, caso seja detectado um vazamento. Não mantenha a sonda no local de um vazamento. Voltas a sonda para a mesma área onde foi detectada um vazamento para uma segunda verificação.
3. Caso nenhum vazamento seja encontrado com uma sensibilidade BAIXA, aumentar a sensibilidade para médio e repita o passo (2) acima.
4. Para localizar vazamentos extremamente pequenos 0,1 onças / ano (2,8 gramas) ou menos, a escala de alta sensibilidade deve ser usada. Devido ao tamanho extremamente pequeno do vazamento, a ponta da sonda deve ser movida mais perto da superfície quanto possível (sem tocar fisicamente qualquer objecto). Contacto físico de um objecto será detectado pelos sensores de sonda resultando em um breve INT (interrupção) na detecção.
5. Quando o teste de vazamento for em um ambiente contaminado, o sensor detecta a área contaminada e ajusta automaticamente às novas condições. O LCD irá exibir CA (atmosfera contaminada) na tela, depois de passar pelo processo de re-calibração, que levará aproximadamente um minuto. Durante o processo de re-calibração, todas as barras verticais serão iluminadas e e apagarão em sequência para baixo até que todos os bares são extintas. Nesse ponto, o indicador estará pronto e o processo de detecção de vazamento pode continuar.

GUIA DE RESOLUÇÃO DE PROBLEMAS

Com exceção das baterias e do sensor, as partes internas do 55800 não são reparados em campo. Se você tiver um problema com o produto, consulte a tabela de solução de problemas abaixo.

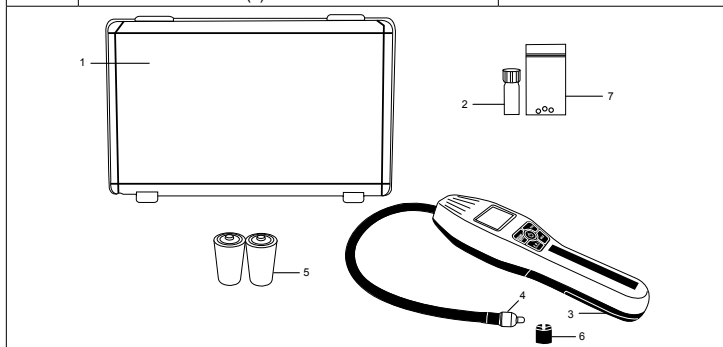
SITUAÇÃO	CAUSA PROVÁVEL	SOLUÇÃO
O equipamento não liga	1) Baterias não estão instaladas 2) Baterias instaladas incorretamente	Instale baterias novas. Siga instruções Verifique a polaridade
A unidade liga brevemente, e desliga OFF	Baterias estão muito fracas	Instale baterias novas. Siga em seguida, instruções
Alarme em disparo contínuo	A área está contaminada ou existe fontes contaminantes próximas	Primeiro reduza a sensibilidade da unidade. Caso a unidade ainda continue disparando na sensibilidade mais baixa, desligue o detector. Limpe a área de contaminantes e tente novamente.
Código E2 aparece no visor LCD	Ponta entupida ou ventilador não está funcionando	Desrosqueie a ponta de prova, remova o filtro interno com uma chave saca-o-ring e assopre ar através dos pequenos furos da ponteira. Remonte a ponteira e teste a unidade. Caso não funcione retorne a unidade ao local de compra para devidas providências.
Código E8 aparece no visor LCD	Sensor danificado	Substitua o sensor seguindo as instruções*
Código E9 aparece no visor LCD	Sensor faltando	Substitua o sensor seguindo as instruções*

* Desligue o detector e religue por varias vezes.

PEÇAS DE REPOSIÇÃO

Peças sobresselentes e acessórios para o Detector de vazamento 55800 estão disponíveis através do mesmo revendedor ou a partir de Mastercool Inc.

REF. #	DESCRIÇÃO	CÓDIGO
1.	Caixa de Plastico injetado	55800-PB
2.	Padrão de teste vazamento	55800-VL
3.	Tampa da bateria	55800-BATCOV
4.	Sensor	55800-SEN
5.	Baterias 2 "d"	55800-BAT2D
6.	Protetor do sensor	55100-10042
7.	Filtros sobressalente (3)	55800-FILTER



GARANTIA E RESPONSABILIDADE

Mastercool Inc. garante que o Detector de Vazamento 55800 esta livre de defeitos de material e mão de obra por um período de 1 anos a partir da data da compra. Mastercool Inc. não garante os itens que se desgastam sob uso normal, incluindo as baterias, sensor e filtro. Além disso, Mastecool Inc. não garante este produto caso existam evidências de uso indevido. Qualquer evidência de acidente, reparação ou alteração não autorizada também anulará a garantia.

A responsabilidade da Mastercool se limita ao produto devolvido à Mastercool, com frete pago, o mais tardar 30 dias após o término da garantia e que Mastercool determina o problema ocorrido devido a defeitos de material ou de fabricação. A responsabilidade da Mastercool é limitada e tem como opção a reparação ou substituição do produto defeituoso ou parte dele.

⚠ **AVISO:** Este produto pode expô-lo em produtos químicos, incluindo o ftalato de di-etil (2-etil-hexil), que são conhecidos pelo estado da Califórnia para causar câncer e defeitos congênitos ou outros danos reprodutivos. Para mais informações, visite www.P65Warnings.ca.gov



Mastercool[®]
"World Class Quality"

USA

(973) 252-9119

Belgium

+32 (0) 3 777 28 48

Brasil

+ 55 (11) 4407 4017