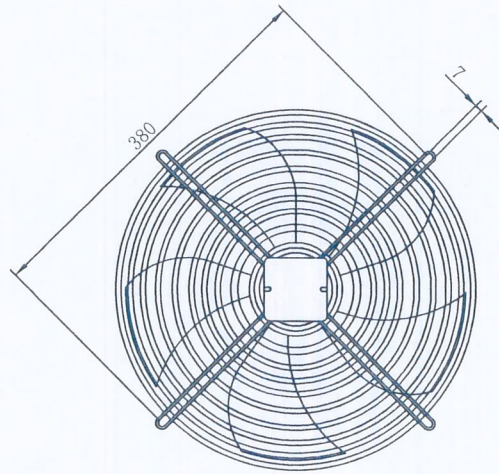
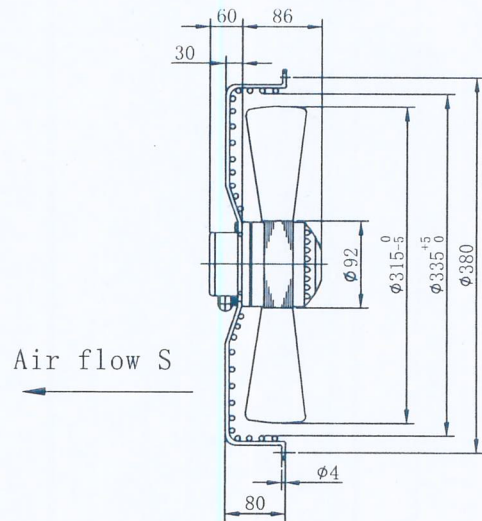
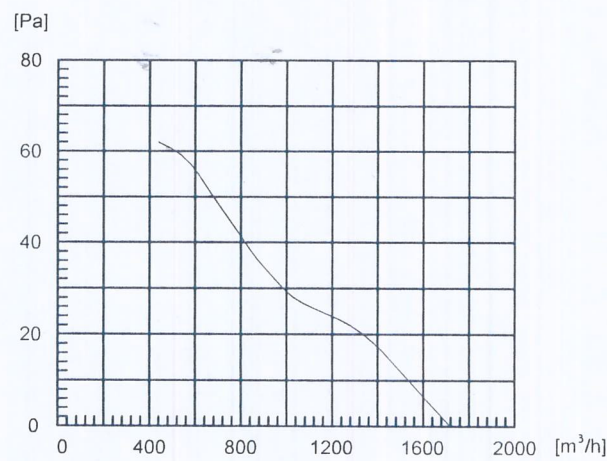
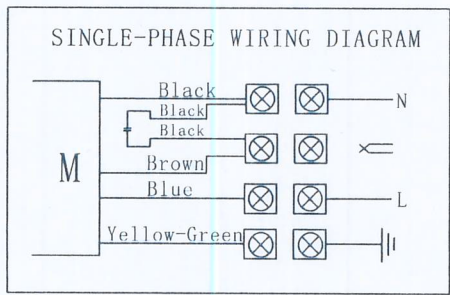


DRAWING NO. REV:

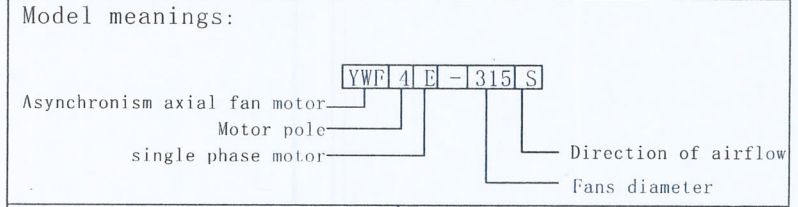
AXIAL FAN



YWF4E-315S AXIAL FAN MOTOR
 220V 50Hz 0.42A 90W CE
 1350r/min 3 μ f/450V CL.F



Motor type:	YWF4E-315S
Unit:	Axial fan motor
Motor:	single phase motor with capacitor
Customer:	
Customer type:	
Operating type:	S1
Temperature increase:	$\Delta T \leq 85k$
Insulation class :	F
Bearings:	Ball bearings
License:	CE
Permissible ambient temperature:	-30~60°C



Electrical connection:	lead wire 0.5mm
Direction of rotation:	clockwise(sucking)
Airflow direction:	"S" looking at rotor side
Material/Surface treatment:	rotor with condensation drain holes varnished black, stator temperature protected
Balance grade:	G6.3 Fan balanced dynamically in two planes
High-voltage test according to EN 60335-1 1800V	

APPROX. WEIGHT	
MEANS	

DRN. BY			
CHD. BY			A4
ENG. BY			SCALE
APP. BY			SHEET: of

Type	Voltage (V)	Frequency (Hz)	Input power (W)	Current (A)	Speed (r/min \pm 5%)	Air volume (m ³ /h)	Noise Level (dBA)	Capacitor μ F/VDB
YWF4E-315S	220V	50	90	0.42	1350	1750	58	3 μ F/450V