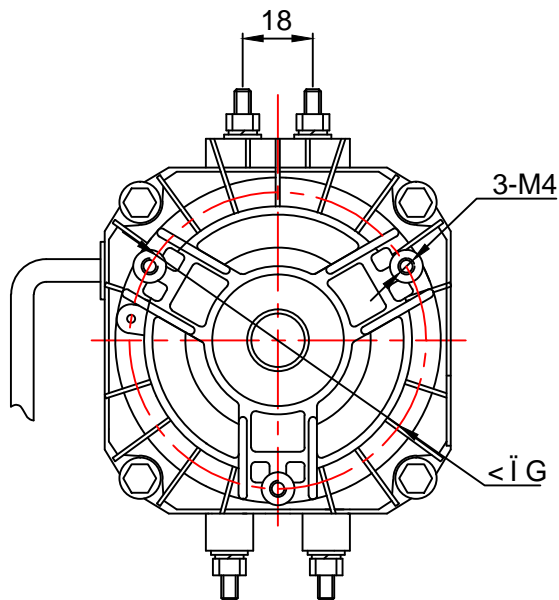
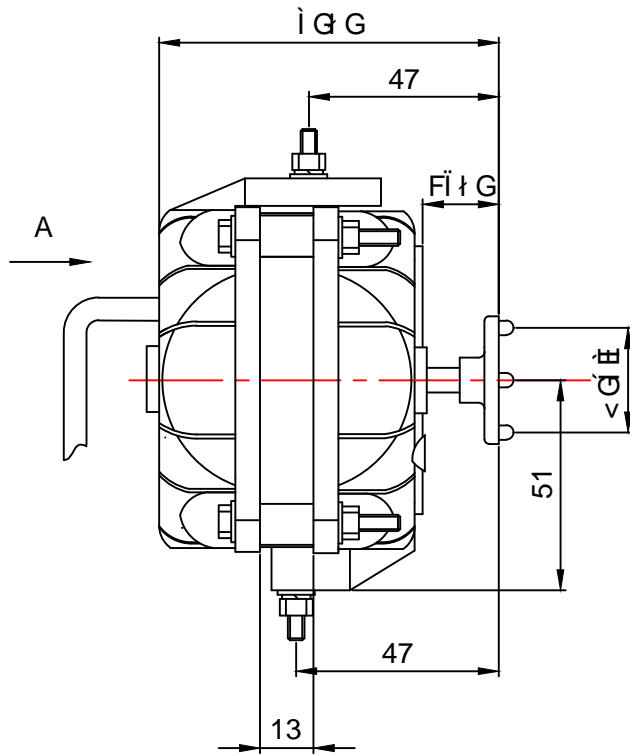
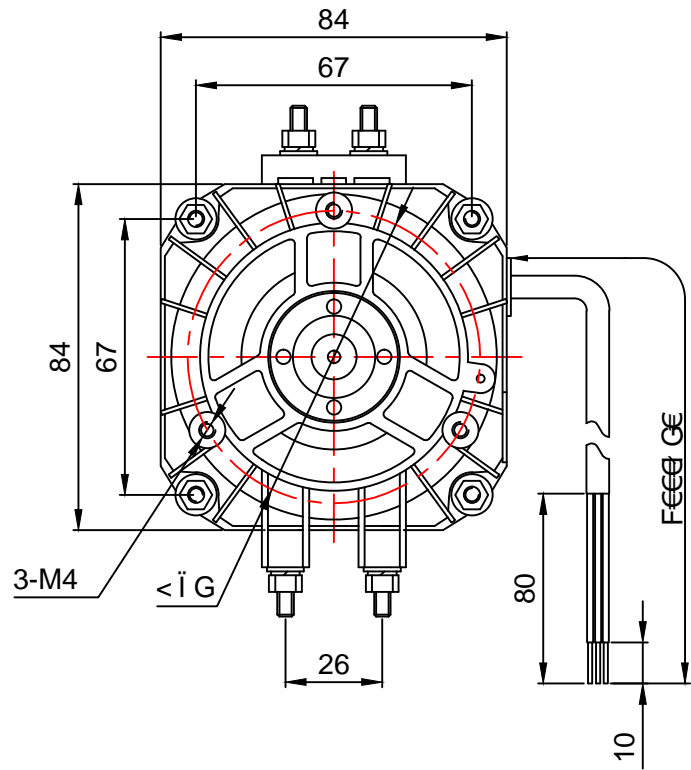


# SPECIFICATION

MOTOR	Shaded pole motor
MOTOR TYPE	MOTOR
VOLTAGE (V)	220-240
FREQUENCY (HZ)	50/60
OUTPUT POWER (W)	5
CURRENT (A)	0.21
SPEED (r/min)	1300/1550
ROTATION	CCW(looking towards the shaft)
AIRFLOW DIRECTION	Sucking
MOTOR PROTECTION	Impedance protected
INSULATION CLASS	B
WINDING TEMPERATURE RISE	55K(with load)
PROTECTION CLASS	IP42
OPERATING TYPE	S1
MOUNTING TYPE	Horizontal or Vertical
AMBIENT TEMPERATURE	-30°C+60°C
BEARINGS	sleeve bearings
LUBRICATING OIL	permawick 540
ELECTRICAL CONNECTION	3X0.5mm <sup>2</sup> lead wire 1000mm free length
HI-POT TEST	1800V 1s
APPROVALS	CE
PACKING	12PCS/CTN



A Direction

MTF511RF  
 220-240V 50/60Hz 5/33W 0.21A  
 1300/1550rpm CL.B  
 SKL FAN MOTOR

**CE**  
 Date: \*\*/ \*\*/ \*\*  
 Made in China

MARKER	PLACES	MODIFICATION	FILE NO	SIGNATURE	DATE
DESIGNED		STANDARDIZATION			
DRAWN					
APPROVED					
CARFT		DATE			
PATTERN TAG					
QUANTITY			WEIGHT		SCALE
TOTAL PAGES:3			PAGE:2		