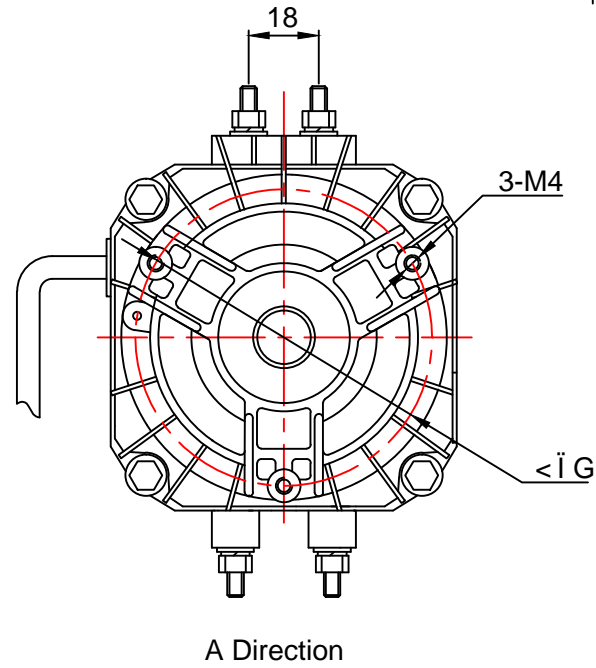
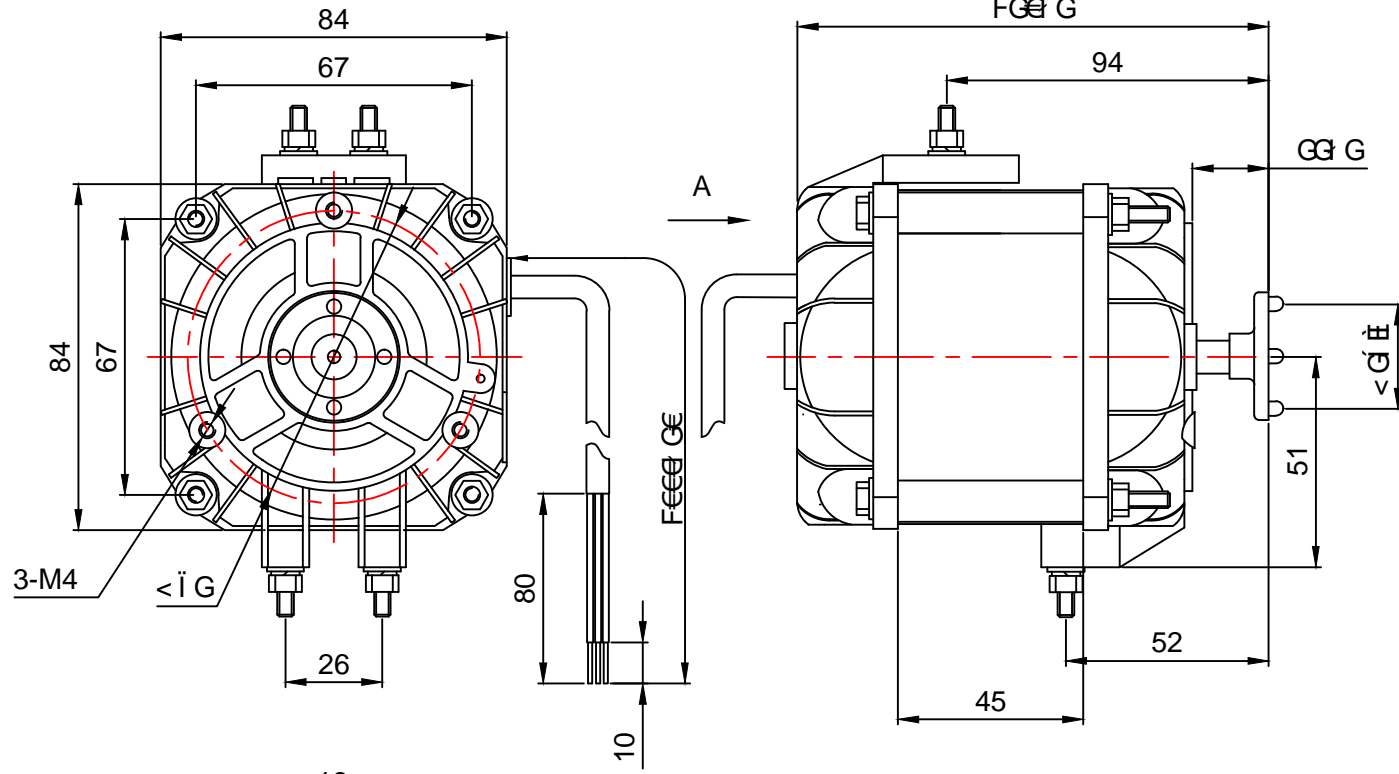


SPECIFICATION

MOTOR	Shaded pole motor
MOTOR TYPE	MOTOR
VOLTAGE (V)	220-240
FREQUENCY (HZ)	50/60
OUTPUT POWER (W)	34
CURRENT (A)	0.85
SPEED (r/min)	1300/1550
ROTATION	CCW(looking towards the shaft)
AIRFLOW DIRECTION	Sucking
MOTOR PROTECTION	Thermally protected
INSULATION CLASS	B
WINDING TEMPERATURE RISE	75K(with load)
PROTECTION CLASS	IP42
OPERATING TYPE	S1
MOUNTING TYPE	Horizontal or Vertical
AMBIENT TEMPERATURE	-30°C+60°C
BEARINGS	sleeve bearings
LUBRICATING OIL	permawick 540
ELECTRICAL CONNECTION	3X0.5mm ² lead wire 1000mm free length
HI-POT TEST	1800V 1s
APPROVALS	CE
PACKING	9PCS/CTN



MTF516RF
 220-240V 50/60Hz 34/120W 0.85A **CE**
 1300/1550rpm CL.B
 SKL FAN MOTOR
 Date: **/**/****
 Made in China

MARKER	PLACES	MODIFICATION	FILE NO	SIGNATURE	DATE
DESIGNED		STANDARDIZATION			
DRAWN					
APPROVED					
CARFT		DATE			

PATTERN TAG	QUANTITY	WEIGHT	SCALE
TOTAL PAGES:3	PAGE:2		