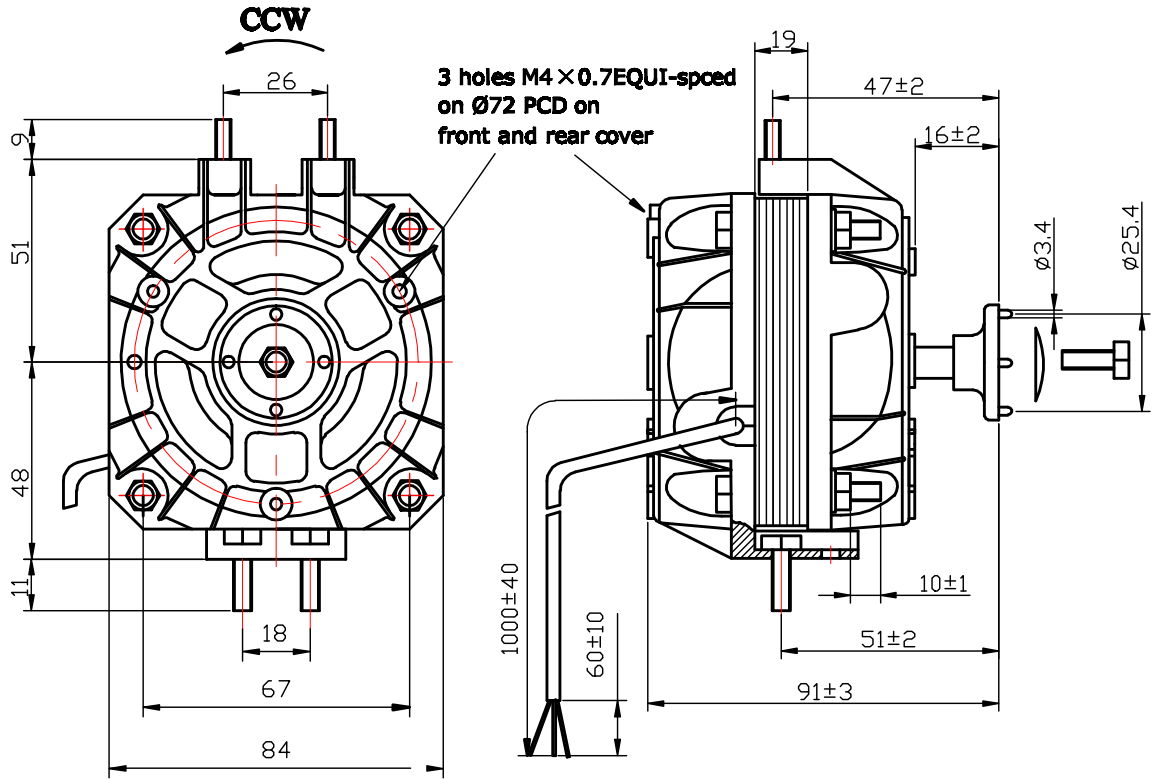
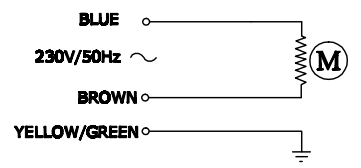


FILE NO 051322001-4Q



**WIRE CONNECT**

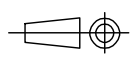


**LABLE**

MTF523RF  
230V 50Hz 10/40W 0.25A  
1300/1800/min CLB

SPECIFICATION	
MOTOR	Shaded pole motor
MOTOR TYPE	MTF523RF
VOLTAGE (V)	230
FREQUENCY (Hz)	50
INPUT POWER (W)	40W
CURRENT (A)	0.25A
SPEED (RPM)	1300RPM
FAN BLADES	
ROTATION	CCW (looking towards the shaft)
AIRFLOW DIRECTION	Sucking or Blowing
MOTOR PROTECTION	Impedance protected
INSULATION CLASS	B
TEMPERATURE RISE	75°C max (with load)
PROTECTION CLASS	IP 42
OPERATING TYPE	S1
MOUNTING TYPE	Horizontal or Vertical
AMBIENT TEMPERATURE	-40°C +40°C
BEARINGS	Sleeve bearings
LUBRICATING OIL	PERMAWICK 284#
ELECTRICAL CONNECTION	VDE 3x 0.3mm <sup>2</sup> lead wire 1000-1020mm free length
HI-POT TEST	1800V 1S
RING	
GRID	
BRACKER TYPE	
APPROVALS	CE
WEIGHT PER UNIT	1kg
PACKING	24PCS/CTN
P/N	051322001-4Q

REV.	DESCRIPTION	APPROVED	DATE	DECIMAL	TOLERANCE	SIGN	DATE	TITLE
				X	±0.5	DRN.BY		FAN MOTOR 10W
				X.X	±0.25	CHD.BY		
				X.XX	±0.15	ENG.BY		
				ANGLE	±3°	APP.BY		PROJECTION



A4  
SCALE:  
SHEET: of